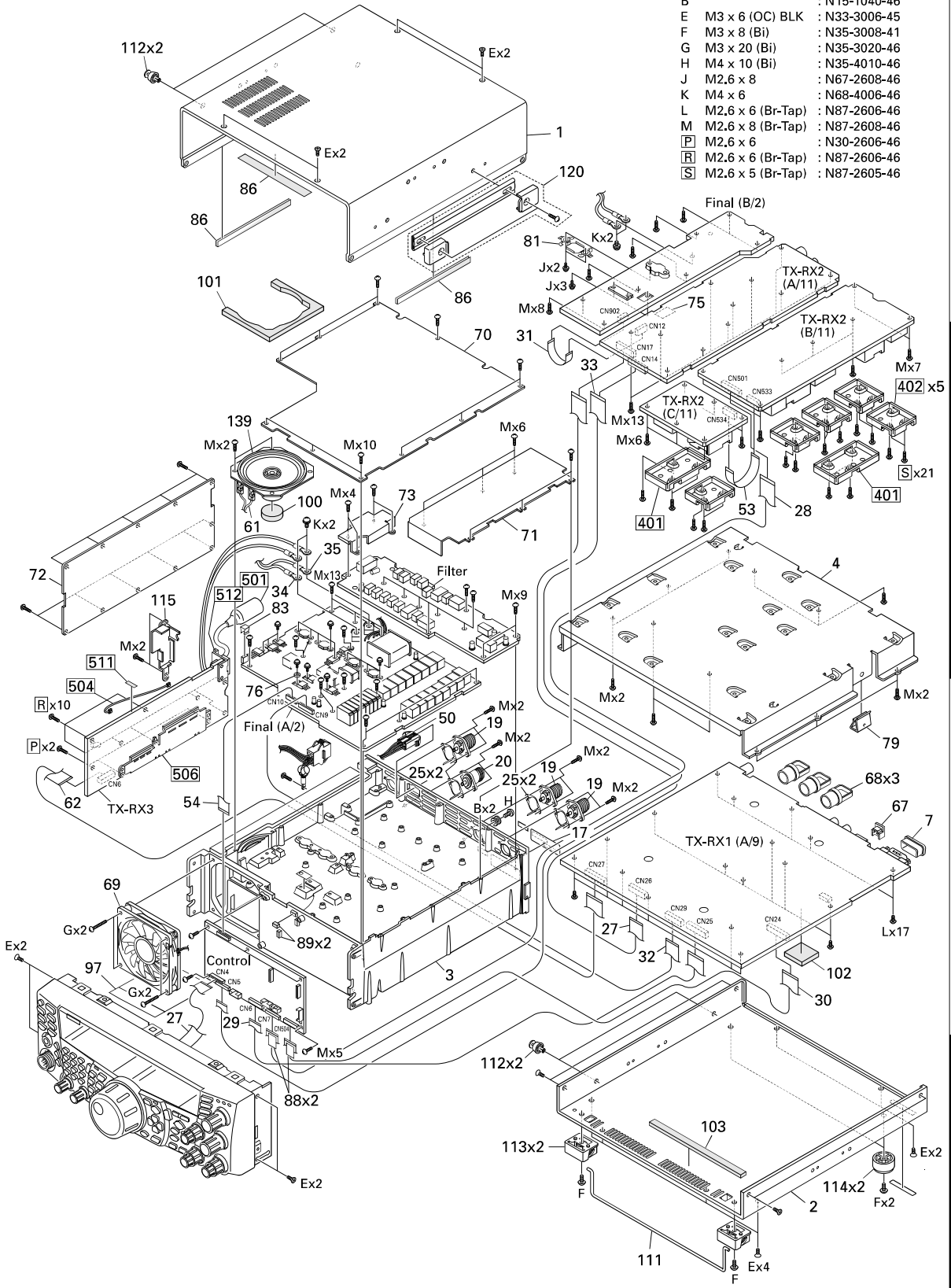


TS-2000/X TS-2000/X

EXPLODED VIEW (MAIN BODY)

- | | | |
|---|-------------------|---------------|
| B | : | N15-1040-46 |
| E | M3 x 6 (OC) BLK | : N33-3006-45 |
| F | M3 x 8 (Bi) | : N35-3008-41 |
| G | M3 x 20 (Bi) | : N35-3020-46 |
| H | M4 x 10 (Bi) | : N35-4010-46 |
| J | M2.6 x 8 | : N67-2608-46 |
| K | M4 x 6 | : N68-4006-46 |
| L | M2.6 x 6 (Br-Tap) | : N87-2606-46 |
| M | M2.6 x 8 (Br-Tap) | : N87-2608-46 |
| P | M2.6 x 6 | : N30-2606-46 |
| R | M2.6 x 6 (Br-Tap) | : N87-2606-46 |
| S | M2.6 x 5 (Br-Tap) | : N87-2605-46 |



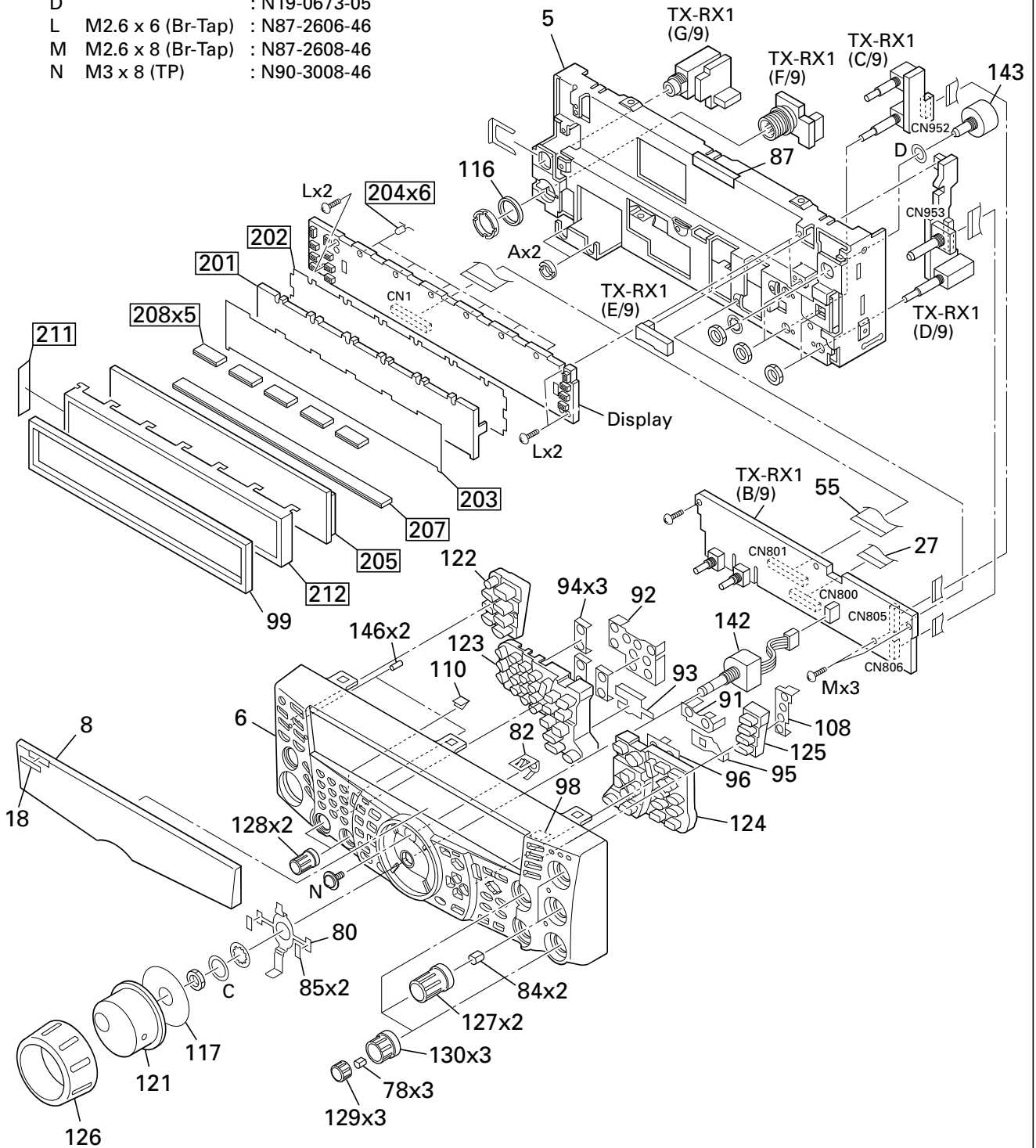
Parts with the exploded numbers larger than 700 are not supplied.

93

94

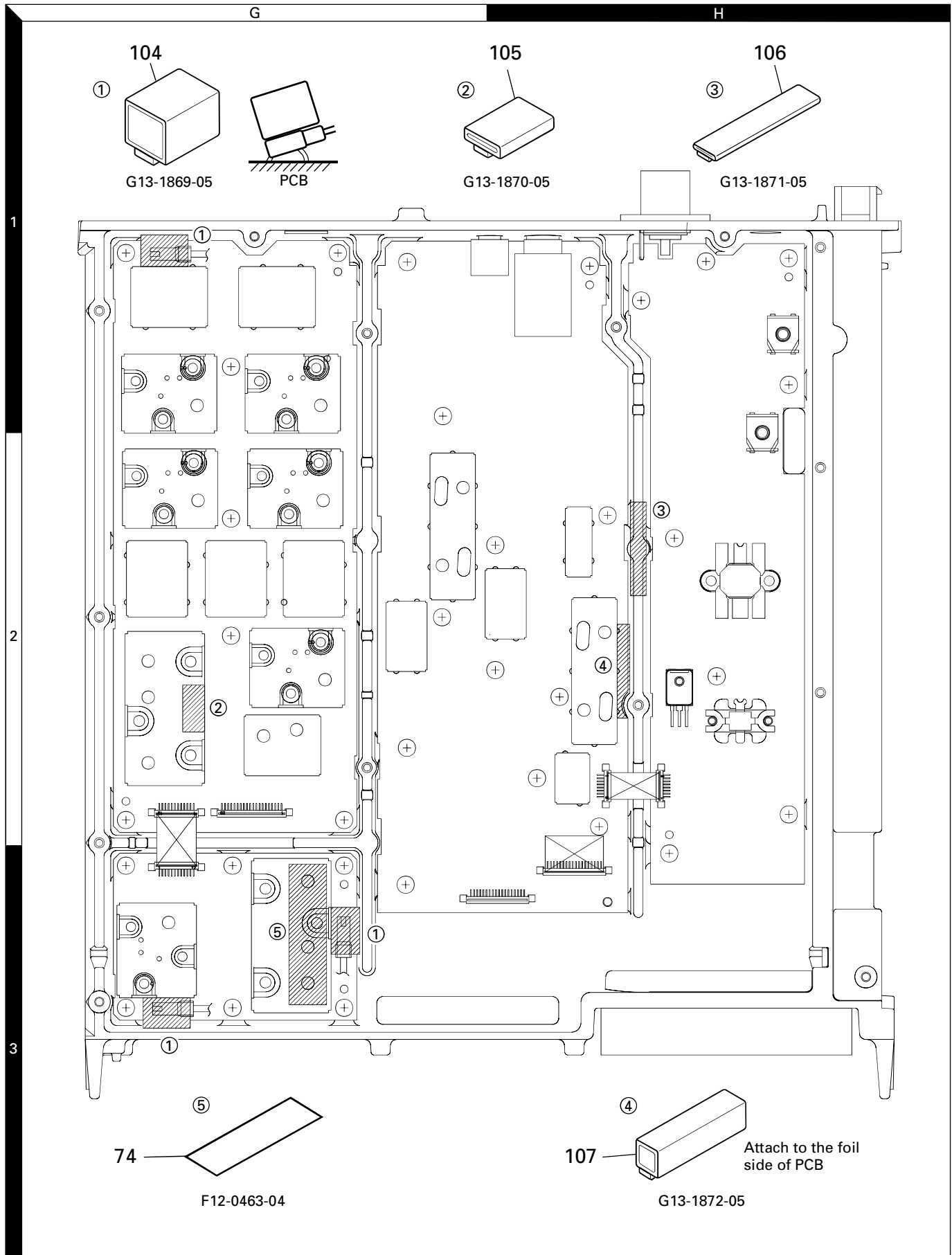
EXPLODED VIEW (FRONT PANEL)

- | | | |
|---|-------------------|---------------|
| A | : | N14-0569-04 |
| C | : | N19-0670-05 |
| D | : | N19-0673-05 |
| L | M2.6 x 6 (Br-Tap) | : N87-2606-46 |
| M | M2.6 x 8 (Br-Tap) | : N87-2608-46 |
| N | M3 x 8 (TP) | : N90-3008-46 |

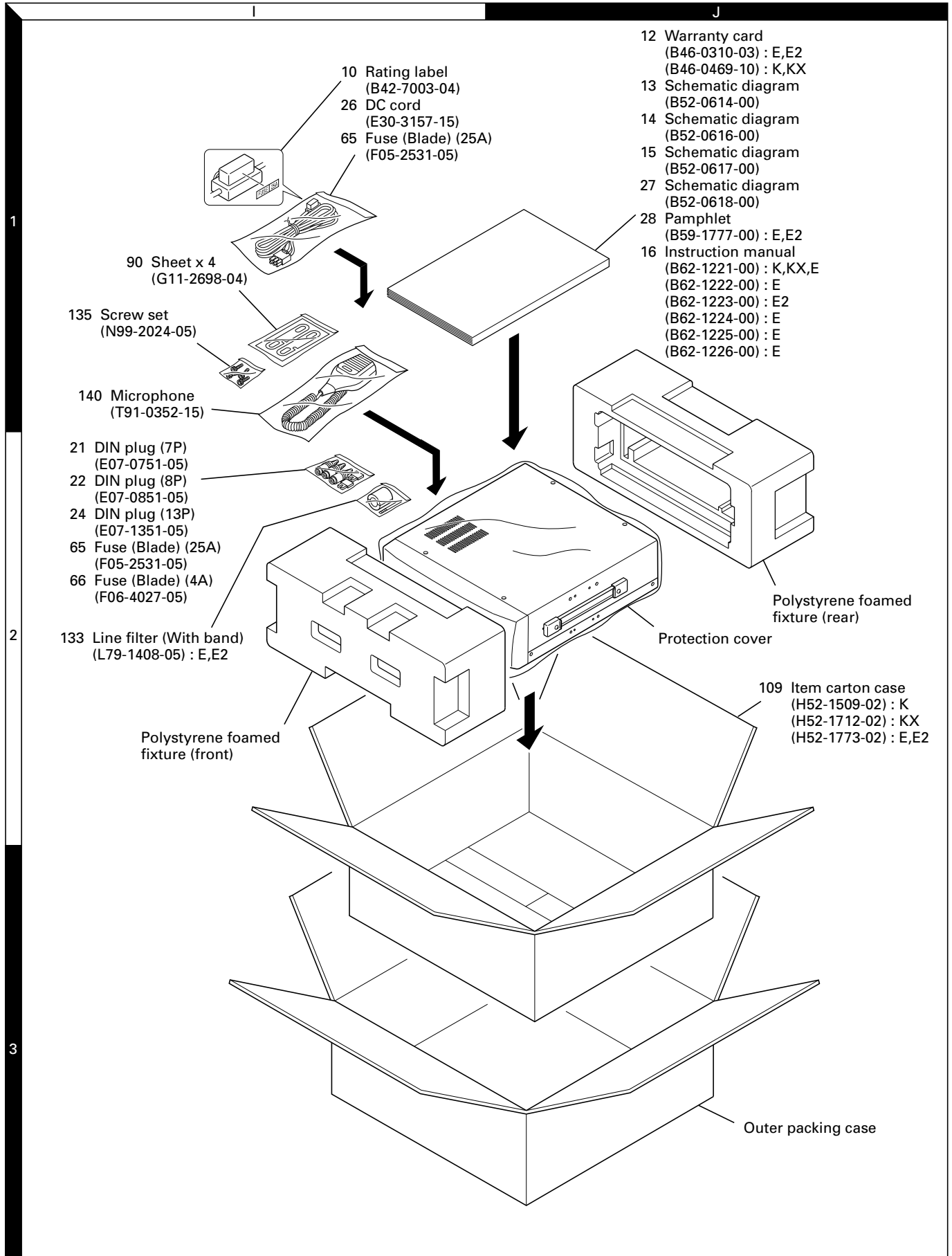


Parts with the exploded numbers larger than 700 are not supplied.

EXPLODED VIEW (CUSHION)



PACKING



Parts with the exploded numbers larger than 700 are not supplied.

PARTS LIST

* New Parts. Δ indicates safety critical components.
 Parts without **Parts No.** are not supplied.
 Les articles non mentionnés dans le **Parts No.** ne sont pas fournis.
 Teile ohne **Parts No.** werden nicht geliefert.

L : Scandinavia **K** : USA **P** : Canada
Y : PX (Far East, Hawaii) **T** : England **E** : Europe
Y : AAFES (Europe) **X** : Australia **M** : Other Areas

TS-2000/X

Ref. No.	Address	New parts	Parts No.	Description	Desti-nation	Ref. No.	Address	New parts	Parts No.	Description	Desti-nation
TS-2000/X											
1	2A	*	A01-2176-01	CABINET (UPPER)		-		*	E37-0887-05	LEAD WIRE WITH CONNECTOR (X53 CN503)	
2	1D	*	A01-2177-01	CABINET (BOTTOM)		-		*	E37-0888-05	LEAD WIRE WITH CONNECTOR (X57-606A CN9)	
3	2C	*	A10-4017-01	CHASSIS		-		*	E37-0889-05	LEAD WIRE WITH CONNECTOR (X57-605A CN31,32)	
4	1B	*	A11-0417-01	SUB CHASSIS		50	2C	*	E37-0890-05	LEAD WIRE WITH CONNECTOR (X57-606A CN10)	
5	1F	*	A22-2502-21	SUB PANEL		-		*	E37-0891-05	LEAD WIRE WITH CONNECTOR (EXT AT)	
6	2E	*	A62-0771-03	PANEL ASSY		-		*	E37-0897-05	LEAD WIRE WITH CONNECTOR (X57-607 CN1)	KX
7	1C		B09-0355-05	CAP		-		*	E37-0898-05	LEAD WIRE WITH CONNECTOR (X57-607 CN5)	KX
8	2E	*	B10-2608-02	FRONT GLASS		53	1B	*	E37-0946-05	FLAT CABLE (X57-606B CN533)	
10	1I	*	B42-7003-04	RATING LABEL (DC CORD)	E,E2	54	3C	*	E37-0947-05	FLAT CABLE (X53 CN1)	
18	2E	*	B43-1222-04	BADGE		55	2F	*	E37-0948-05	FLAT CABLE (X54 CN1)	
12	1J	*	B46-0310-03	WARRANTY CARD	E,E2	-		*	E37-0951-05	LEAD WIRE WITH MINIPIN PLUG (X51 CN4)	
12	1J	*	B46-0469-10	WARRANTY CARD	K,KX	-		*	E37-0952-05	LEAD WIRE WITH MINIPIN PLUG (X51 CN12,13)	
13	1J	*	B52-0614-00	SCHEMATIC DIAGRAM		-		*	E37-0953-05	LEAD WIRE WITH MINIPIN PLUG (X57-606A CN18)	
14	1J	*	B52-0616-00	SCHEMATIC DIAGRAM		-		*	E37-0957-05	LEAD WIRE WITH CONNECTOR (X51 CN10)	
15	1J	*	B52-0617-00	SCHEMATIC DIAGRAM		-		*	E37-0958-05	LEAD WIRE WITH CONNECTOR (X51 CN9)	
27	1J	*	B52-0618-00	SCHEMATIC DIAGRAM		61	3B	*	E37-0959-05	LEAD WIRE WITH CONNECTOR (SP)	
28	1J	*	B59-1777-00	PAMPHLET	E,E2	62	3C	*	E37-0963-05	FLAT CABLE (X57-607 CN6)	KX
16	1J	*	B62-1221-10	INSTRUCTION MANUAL (ENGLISH)	K,KX,E	65	11,2I		F05-2531-05	FUSE (BLADE) 25A/32V	
16	1J	*	B62-1222-00	INSTRUCTION MANUAL (FRENCH)	E	66	2I		F06-4027-05	FUSE (BLADE) 4A/32V	
16	1J	*	B62-1223-10	INSTRUCTION MANUAL (SPANISH)	E2	67	1C	*	F07-1849-05	COVER	
16	1J	*	B62-1224-00	INSTRUCTION MANUAL (GERMAN)	E	68	1C		F09-0453-05	CAP	
16	1J	*	B62-1225-00	INSTRUCTION MANUAL (ITALIAN)	E	69	3C	*	F09-0471-05	FANMOTOR	
16	1J	*	B62-1226-00	INSTRUCTION MANUAL (DUTCH)	E	70	2B	*	F10-2328-02	SHIELDING PLATE	
17	2C	*	B72-1641-04	MODEL NAME PLATE	K	71	2B	*	F10-2330-13	SHIELDING COVER	
17	2C	*	B72-1642-14	MODEL NAME PLATE	E,E2	72	3B	*	F10-2366-03	SHIELDING PLATE	KX
17	2C	*	B72-1879-04	MODEL NAME PLATE	KX	73	2B	*	F10-2398-04	SHIELDING COVER	
19	2C		E04-0167-05	RF COAXIAL RECEPTACLE (M)		74	3G	*	F12-0463-04	SHIELDING SHEET	
20	2C		E04-0170-05	RF COAXIAL RECEPTACLE (N)		-		*	F15-0700-04	SHIELDING PLATE	K,E,E2
21	2I		E07-0751-05	DIN PLUG (7P ACC)		75	1A		F20-1185-04	INSULATING SHEET	
22	2I		E07-0851-05	DIN PLUG (8P ACC)		76	3B		F29-0014-05	INSULATING BUSH	
-			E07-0852-15	ROUND PLUG		78	3E		G02-0505-05	KNOB SPRING	
24	2I		E07-1351-05	DIN PLUG (13P ACC)		79	1C		G02-0570-04	FLAT SPRING	
25	2C	*	E23-1164-04	EARTH LUG (ANT)		-			G02-0729-14	FLAT SPRING (1.2G, A25)	KX
26	1I		E30-3157-15	DC CORD		80	3E	*	G02-0854-03	FLAT SPRING	
27	2C,3C,2F	*	E37-0866-05	FLAT CABLE (X57-605 CN26,800)		81	2A	*	G02-0875-04	EARTH SPRING	
28	1B	*	E37-0867-05	FLAT CABLE (X57-606B CN501)		82	2F	*	G02-0879-04	EARTH SPRING	
29	3C	*	E37-0868-05	FLAT CABLE (X53 CN6)		83	3B	*	G02-0881-04	FLAT SPRING	
30	1C	*	E37-0869-05	FLAT CABLE (X53 CN504)		84	3E		G09-0405-05	KNOB SPRING	
31	2B	*	E37-0870-05	FLAT CABLE (X57-606A CN12)		110	2E		G10-0789-04	FIBROUS SHEET	
32	1C	*	E37-0871-05	FLAT CABLE (X45A CN9)		85	3E	*	G10-1258-04	FIBROUS SHEET	
33	2B	*	E37-0872-05	FLAT CABLE (X57-606A CN14)		86	2A,3A	*	G10-1277-04	FIBROUS SHEET	
34	3B	*	E37-0873-05	LEAD WIRE WITH TERMINAL (X45A CN203, +B)		87	1F	*	G10-1278-04	FIBROUS SHEET	
35	3B	*	E37-0874-05	LEAD WIRE WITH TERMINAL (X45A CN204, GND)		88	3D	*	G10-1281-04	FIBROUS SHEET	
-		*	E37-0875-05	LEAD WIRE WITH MINIPIN PLUG (X57-606B CN502)		98	2F		G11-2521-04	SHEET	
-		*	E37-0876-05	LEAD WIRE WITH MINIPIN PLUG (X57-606C CN506)		89	3C		G11-2588-04	RUBBER SHEET	
-		*	E37-0877-05	LEAD WIRE WITH MINIPIN PLUG (X57-606A CN8,13)		90	1I	*	G11-2698-04	SHEET	
-		*	E37-0878-05	LEAD WIRE WITH MINIPIN PLUG (X51 CN20, HF RX)		91	2F	*	G11-4035-04	SHEET	
-		*	E37-0879-05	LEAD WIRE WITH MINIPIN PLUG (X45A CN1, HFTX)		92	2F	*	G11-4036-04	SHEET	
-		*	E37-0880-05	LEAD WIRE WITH MINIPIN PLUG (X57-606A CN6)		93	2F	*	G11-4037-14	SHEET	
-		*	E37-0881-05	LEAD WIRE WITH MINIPIN PLUG (X45A CN2, 14TX)		94	2F	*	G11-4038-04	SHEET	
-		*	E37-0882-05	LEAD WIRE WITH MINIPIN PLUG (X51 CN21, 14RX)		95	2F	*	G11-4039-14	SHEET	
-		*	E37-0883-05	LEAD WIRE WITH MINIPIN PLUG (X57-606A CN2,3)		96	2F	*	G11-4041-04	SHEET	
-		*	E37-0886-05	LEAD WIRE WITH CONNECTOR (X53 CN505)		97	3C	*	G11-4042-04	SHEET	
-						108	2F	*	G11-4045-04	SHEET	
-						99	2E	*	G13-1775-13	CUSHION	

K : TS-2000 (K) **KX** : TS-2000X (K)
E : TS-2000 (E) **E2** : TS-2000 (E2)

PARTS LIST

TS-2000/X
FINAL UNIT (X45-360X-XX)

Ref. No.	Address	New parts	Parts No.	Description	Destination
100	3B	*	G13-1793-04	CUSHION	
101	3A	*	G13-1855-04	CUSHION	
102	1C	*	G13-1856-04	CUSHION	
103	1D	*	G13-1868-04	CUSHION	
104	1G	*	G13-1869-05	CONDUCTIVE CUSHION	
105	1H	*	G13-1870-05	CONDUCTIVE CUSHION	
106	1H	*	G13-1871-05	CONDUCTIVE CUSHION	
107	3H	*	G13-1872-05	CONDUCTIVE CUSHION	
-		*	G13-1877-05	CONDUCTIVE CUSHION	KX
-		*	G13-1878-05	CONDUCTIVE CUSHION	KX
109	2J	*	H52-1509-02	ITEM CARTON CASE	K
109	2J	*	H52-1712-02	ITEM CARTON CASE	KX
109	2J	*	H52-1773-02	ITEM CARTON CASE	E,E2
111	1D		J02-0440-04	FOOT	
112	3A,2D		J02-0441-05	FOOT	
113	2D		J02-0442-04	FOOT	
114	1D		J02-0475-05	FOOT	
115	3B	*	J21-8414-04	HARDWARE FIXTURE	
116	1E		J31-0141-04	COLLAR	
117	3E	*	J39-0638-04	SPACER	
-			J61-0307-05	BAND	
120	2A		K01-0420-05	HANDLE	
121	3E	*	K21-1104-03	KNOB	
122	2E	*	K29-5391-02	KEY TOP	
123	2F	*	K29-5392-12	KEY TOP	
124	2F	*	K29-5393-12	KEY TOP	
125	2F	*	K29-5394-12	KEY TOP	
126	3E	*	K29-5395-04	KNOB RING	
127	3E	*	K29-5396-03	KNOB	
128	3E	*	K29-5397-13	KNOB	
129	3E	*	K29-5398-03	KNOB	
130	3E	*	K29-5399-03	KNOB	
-			L79-1407-05	LINE FILTER	
133	2I		L79-1408-05	LINE FILTER (WITH BAND)	E,E2
A	1F		N14-0569-04	CIRCULAR NUT	
B	2C		N15-1040-46	FLAT WASHER	
C	3E	*	N19-0670-05	SPECIAL WASHER	
D	1F	*	N19-0673-05	SPECIAL WASHER	
E	2A,1D		N33-3006-45	OVAL HEAD MACHINE SCREW	
F	1D,2D		N35-3008-41	BINDING HEAD MACHINE SCREW	
G	3C		N35-3020-46	BINDING HEAD MACHINE SCREW	
H	2C		N35-4010-46	BINDING HEAD MACHINE SCREW	
J	2A		N67-2608-46	PAN HEAD SEMS SCREW W	
K	2A,3B		N68-4006-46	PAN HEAD SEMS SCREW A	
L	1E,2F		N87-2606-46	BRAZIER HEAD TAPTITE SCREW	
M	2B,2F		N87-2608-46	BRAZIER HEAD TAPTITE SCREW	
N	3E		N90-3008-46	TP HEAD MACHINE SCREW	
135	1I	*	N99-2024-05	SCREW SET	
-			S50-1406-05	TACT SWITCH	
139	3B		T07-0252-35	SPEAKER	
140	1I		T91-0352-15	MICROPHONE	
142	2F		W02-1836-05	ENCODER	
143	1F	*	W02-3619-05	ENCODER	
-			W09-0873-05	LITHIUM CELL (X57-605 A)	
146	2E		212-2017-05	HEAT-PROOF TUBE	

Ref. No.	Address	New parts	Parts No.	Description	Destination
FINAL UNIT (X45-360X-XX) 0-11 : K,KX 2-71 : E,E2					
C1			CK73FB1E104K	CHIP C 0.10UF K	
C2			CK73FB1H103K	CHIP C 0.010UF K	
C3			CK73FB1E104K	CHIP C 0.10UF K	
C4			CK73FB1H103K	CHIP C 0.010UF K	
C5			CK73FB1H102K	CHIP C 1000PF K	
C6			CK73FB1E104K	CHIP C 0.10UF K	
C7			CK73FB1C105K	CHIP C 1.0UF K	
C8,9			CK73FB1E104K	CHIP C 0.10UF K	
C10			CK73FB1C105K	CHIP C 1.0UF K	
C11			CK73FB1H102K	CHIP C 1000PF K	
C12			CE04EW1E100M	ELECTRO 10UF 25WV	
C13			CK73FB1E104K	CHIP C 0.10UF K	
C14			CK73FB1H102K	CHIP C 1000PF K	
C15			CK73FB1E104K	CHIP C 0.10UF K	
C17			CK73FB1E104K	CHIP C 0.10UF K	
C20			CC73FCH1H331J	CHIP C 330PF J	
C21			CK73FB1E104K	CHIP C 0.10UF K	
C22			CK73FB1H102K	CHIP C 1000PF K	
C24			CK73FB1E104K	CHIP C 0.10UF K	
C25			CK73FB1C105K	CHIP C 1.0UF K	
C26			CC73FCH1H390J	CHIP C 39PF J	
C27			CC73FCH1H470J	CHIP C 47PF J	
C29,30			CK73EB1H104K	CHIP C 0.10UF K	
C31			C93-0569-05	CHIP C 56PF J	
C32			CK73FB1H102K	CHIP C 1000PF K	
C33			CE04EW1E100M	ELECTRO 10UF 25WV	
C34			CE04EW1E470M	ELECTRO 47UF 25WV	
C35			CK73FB1E104K	CHIP C 0.10UF K	
C36			CK73FB1C105K	CHIP C 1.0UF K	
C37			CK73FB1H102K	CHIP C 1000PF K	
C38			CK73FB1E104K	CHIP C 0.10UF K	
C39			CK73FB1H102K	CHIP C 1000PF K	
C40			CK73FB1C105K	CHIP C 1.0UF K	
C41,42			CK73FB1E104K	CHIP C 0.10UF K	
C43			CK73FB1H103K	CHIP C 0.010UF K	
C44			CK73FB1C105K	CHIP C 1.0UF K	
C45			CK73FB1H103K	CHIP C 0.010UF K	
C46			C93-0568-05	CHIP C 47PF J	
C47			CM73F2H271J	CHIP C 270PF J	
C48			CM73F2H391J	CHIP C 390PF J	
C49-56		*	C93-0608-05	CHIP C 2700PF K	
C57,58			C93-0572-05	CHIP C 100PF J	
C59,60			C93-0568-05	CHIP C 47PF J	
C61			CM73F2H331J	CHIP C 330PF J	
C63			C93-0555-05	CHIP C 5.0PF C	
C67			C93-0555-05	CHIP C 5.0PF C	
C68			CK73FB1E104K	CHIP C 0.10UF K	
C69			CK73FB1H102K	CHIP C 1000PF K	
C70			CE04EW1E100M	ELECTRO 10UF 25WV	
C71			CK73FB1H103K	CHIP C 0.010UF K	
C72			CK73FB1E104K	CHIP C 0.10UF K	
C73			CK73FB1H102K	CHIP C 1000PF K	
C74			CK73FB1E104K	CHIP C 0.10UF K	
C79		*	C90-4089-05	ELECTRO 220UF 25WV	
C101			C93-0567-05	CHIP C 39PF J	
C102			C93-0560-05	CHIP C 10PF D	
C104			C93-0572-05	CHIP C 100PF J	
C106			C93-0572-05	CHIP C 100PF J	

PARTS LIST

FINAL UNIT (X45-360X-XX)

Ref. No.	Address	New parts	Parts No.	Description	Destination	Ref. No.	Address	New parts	Parts No.	Description	Destination
C107			CM73F2H271J	CHIP C 270PF J		C252			CC73FCH1H470J	CHIP C 47PF J	
C108			CM73F2H221J	CHIP C 220PF J		C253,254			CE04EW1C101M	ELECTRO 100UF 16WV	
C110			CM73F2H271J	CHIP C 270PF J		C255			CK73FB1H103K	CHIP C 0.010UF K	
C111			CM73F2H221J	CHIP C 220PF J		C256			CE04EW1HR22M	ELECTRO 0.22UF 50WV	
C117,118			CM73F2H151J	CHIP C 150PF J		C259,260			CM73F2H331J	CHIP C 330PF J	
C125		*	CK73EF1V225Z	CHIP C 2.2UF Z		C262		*	CK73EF1V225Z	CHIP C 2.2UF Z	
C127			CK73FB1H102K	CHIP C 1000PF K		C263			CK73FB1E104K	CHIP C 0.10UF K	
C130,131			CM73F2H151J	CHIP C 150PF J		C264			CK73FB1H102K	CHIP C 1000PF K	
C132			CC73FSL1H471J	CHIP C 470PF J		C265			CK73FB1H103K	CHIP C 0.010UF K	
C133			CK73FB1H103K	CHIP C 0.010UF K		C270			C93-0561-05	CHIP C 12PF J	
C135			CK73FB1E104K	CHIP C 0.10UF K		C271			C93-0565-05	CHIP C 27PF J	
C138			CK73FB1H102K	CHIP C 1000PF K		C501,502			CK45FB1H103K	CERAMIC 0.010UF K	
C139,140			CC73FSL1H331J	CHIP C 330PF J		C511,512			CK45FB1H103K	CERAMIC 0.010UF K	
C141			CK73FB1H102K	CHIP C 1000PF K		C801-803			CK73FB1E104K	CHIP C 0.10UF K	
C142			CK73FB1E104K	CHIP C 0.10UF K		C804			CK73FB1H102K	CHIP C 1000PF K	
C143			CK73FB1H471K	CHIP C 470PF K		C805,806			C91-3115-05	HV CAP 10PF 2KV	
C144			CE04EW1E100M	ELECTRO 10UF 25WV		C807			CK73FB1E104K	CHIP C 0.10UF K	
C145			CK73FB1H471K	CHIP C 470PF K		C808,809			CK73FB1H103K	CHIP C 0.010UF K	
C146			CK73FB1E104K	CHIP C 0.10UF K		C810-815			C91-3115-05	HV CAP 10PF 2KV	
C147			CK73FB1H102K	CHIP C 1000PF K		C816-821			CK73FB1H103K	CHIP C 0.010UF K	
C148			CC73FSL1H471J	CHIP C 470PF J		C822-827			C91-3115-05	HV CAP 10PF 2KV	
C149			CK73FB1H103K	CHIP C 0.010UF K		C828-833			CK73FB1H103K	CHIP C 0.010UF K	
C150			CM73F2H680J	CHIP C 68PF J		C834,835			C91-3115-05	HV CAP 10PF 2KV	
C151,152			C93-0554-05	CHIP C 4.0PF C		C836			C91-3126-05	HV CAP 10PF 3KV	
C153			CM73F2H680J	CHIP C 68PF J		C837-842			CK73FB1H103K	CHIP C 0.010UF K	
C154,155			C93-0554-05	CHIP C 4.0PF C		C843			C91-3126-05	HV CAP 10PF 3KV	
C157			CM73F2H200J	CHIP C 20PF J		C844			C91-3127-05	HV CAP 18PF 3KV	
C158,159			C93-0603-05	CHIP C 1000PF K		C845-850			CK73FB1H103K	CHIP C 0.010UF K	
C160			C93-0560-05	CHIP C 10PF D		C851,852			C91-3127-05	HV CAP 18PF 3KV	
C161,162			CC73FCH1H100D	CHIP C 10PF D		C853-858			CK73FB1H103K	CHIP C 0.010UF K	
C201,202			CK73FB1H102K	CHIP C 1000PF K		C859			C91-3127-05	HV CAP 18PF 3KV	
C203,204			CK73FB1H103K	CHIP C 0.010UF K		C860-865			CK73FB1H103K	CHIP C 0.010UF K	
C205			C91-2691-05	CERAMIC 470PF 250WV		C866-869			C91-3123-05	HV CAP 150PF 3KV	
C206			CK73FB1H103K	CHIP C 0.010UF K		C870-875			CK73FB1H103K	CHIP C 0.010UF K	
C207			CE04EW1E471M	ELECTRO 470UF 25WV		C876,877			C91-3123-05	HV CAP 150PF 3KV	
C208			CK73FB1H103K	CHIP C 0.010UF K		C878-883			CK73FB1H103K	CHIP C 0.010UF K	
C209			CK73FB1E104K	CHIP C 0.10UF K		C884-887			C91-3123-05	HV CAP 150PF 3KV	
C210			CK73FB1H103K	CHIP C 0.010UF K		C888			CK73FB1E104K	CHIP C 0.10UF K	
C211			CK73FB1E104K	CHIP C 0.10UF K		C890,891			C91-3127-05	HV CAP 18PF 3KV	
C212			CK73FB1H103K	CHIP C 0.010UF K		C901			CC73FCH1H470J	CHIP C 47PF J	
C213			CE04EW1E471M	ELECTRO 470UF 25WV		C903			CE04EW1E470M	ELECTRO 47UF 25WV	
C214			CK73FB1H103K	CHIP C 0.010UF K		C904,905			CK73FB1H471K	CHIP C 470PF K	
C215			CK73FB1E104K	CHIP C 0.10UF K		C906,907			CK73FB1H103K	CHIP C 0.010UF K	
C216			CK73FB1H102K	CHIP C 1000PF K		C908,909			CK73FB1H471K	CHIP C 470PF K	
C217-221			CK73FB1E104K	CHIP C 0.10UF K		C911,912			CK73FB1H471K	CHIP C 470PF K	
C222,223			CE04EW1E100M	ELECTRO 10UF 25WV		C914			CK73FB1C105K	CHIP C 1.0UF K	
C224			CE04EW1E102M	ELECTRO 1000UF 25WV		C915			CC73FCH1H101J	CHIP C 100PF J	
C225,226			CK73FB1E104K	CHIP C 0.10UF K		C916			CK73FB1H103K	CHIP C 0.010UF K	
C227			C90-2021-05	ELECTRO 10UF 25WV		C919,920			CK73FB1H471K	CHIP C 470PF K	
C228,229			CK73FB1E104K	CHIP C 0.10UF K		C921			CK73FB1H103K	CHIP C 0.010UF K	
C230			CE04EW1E100M	ELECTRO 10UF 25WV		C922			CK73FB1C105K	CHIP C 1.0UF K	
C231			CK73FB1E104K	CHIP C 0.10UF K		C924			CK73FB1H103K	CHIP C 0.010UF K	
C232-234			CK73FB1H103K	CHIP C 0.010UF K		C926			CK73FB1H471K	CHIP C 470PF K	
C235,236			CK73FB1H102K	CHIP C 1000PF K		C928			CE04EW1E100M	ELECTRO 10UF 25WV	
C237			CK73FB1H103K	CHIP C 0.010UF K		C931			CC73FCH1H180J	CHIP C 18PF J	
C238			CK73FB1H102K	CHIP C 1000PF K		C933			CE04EW1C470M	ELECTRO 47UF 16WV	
C239			CE04EW1E470M	ELECTRO 47UF 25WV		C934,935			CK73FB1H471K	CHIP C 470PF K	
C240-244			CK73FB1H102K	CHIP C 1000PF K		C936,937			CM73F2H330J	CHIP C 33PF J	
C250			CE04EW1E471M	ELECTRO 470UF 25WV		C938			CK73FB1H103K	CHIP C 0.010UF K	
C251			CK73FB1E104K	CHIP C 0.10UF K		C940			CK73FB1H471K	CHIP C 470PF K	

K : TS-2000 (K) KX : TS-2000X (K)
E : TS-2000 (E) E2 : TS-2000 (E2)

PARTS LIST

FINAL UNIT (X45-360X-XX)

Ref. No.	Address	New parts	Parts No.	Description	Destination	Ref. No.	Address	New parts	Parts No.	Description	Destination
C941,942			CK73FB1H103K	CHIP C 0.010UF K		CN905			E04-0190-05	PIN SOCKET	
C943			C93-0564-05	CHIP C 22PF J		CN906			E23-0486-05	TERMINAL	
C944			CE04EW1E100M	ELECTRO 10UF 25WV		CN907-909			E23-0996-05	TEST TERMINAL	
C945,946			CK73FB1H471K	CHIP C 470PF K		W1		*	E37-0975-15	LEAD WIRE WITH TERMINAL	
C947			C93-0564-05	CHIP C 22PF J		F1			F53-0093-05	FUSE	
C948			CK73FB1H103K	CHIP C 0.010UF K		F2			F06-4027-05	FUSE (BLADE) 4A/32V	
C949,950			CM73F2H330J	CHIP C 33PF J		CN6,7			J13-0410-05	FUSE HOLDER	
C952,953			CK73FB1H471K	CHIP C 470PF K		-			L92-0105-05	TROIDAL CORE	
C955			CE04EW1E100M	ELECTRO 10UF 25WV		-		*	L92-0412-05	TROIDAL CORE	E,E2
C956			CK73FB1H103K	CHIP C 0.010UF K		L1			L40-4705-34	SMALL FIXED INDUCTOR (47UH)	
C958			CK73FB1E104K	CHIP C 0.10UF K		L2			L40-1095-34	SMALL FIXED INDUCTOR (1UH)	
C959			CE04NW1E470M	ELECTRO 47UF 25WV		L3			L33-0699-05	CHOKE COIL	
C960,961			CM73F2H390J	CHIP C 39PF J		L4			L40-4705-34	SMALL FIXED INDUCTOR (47UH)	
C962			CK73FB1H471K	CHIP C 470PF K		L5			L39-1255-05	TOROIDAL COIL	
C963			CK73FB1H103K	CHIP C 0.010UF K		L6			L33-0699-05	CHOKE COIL	
C964			CM73F2H040D	CHIP C 4.0PF D		L7		*	L39-1452-05	TOROIDAL COIL	
C965			CE04EW1E100M	ELECTRO 10UF 25WV		L8			L92-0131-05	FERRITE CHIP	
C966			CK73FB1H103K	CHIP C 0.010UF K		L9,10			L33-0699-05	CHOKE COIL	
C967			CK73FB1H471K	CHIP C 470PF K		L11		*	L39-1434-05	TOROIDAL COIL	
C968			C93-0599-05	CHIP C 470PF K		L13		*	L39-1434-05	TOROIDAL COIL	
C969			CK73FB1H471K	CHIP C 470PF K		L14-16			L33-0699-05	CHOKE COIL	
C970			CK73FB1H103K	CHIP C 0.010UF K		L17		*	L39-1451-05	TOROIDAL COIL	
C971			CK73FB1H471K	CHIP C 470PF K		L18		*	L39-1437-05	TOROIDAL COIL	
C973,974			CK73FB1H471K	CHIP C 470PF K		L21			L34-1231-15	AIR-CORE COIL	
C976			CK73FB1H471K	CHIP C 470PF K		L23			L40-4795-34	SMALL FIXED INDUCTOR (4.7UH)	
C977			C93-0599-05	CHIP C 470PF K		L24			L33-0617-15	CHOKE COIL	
C978			C93-0559-05	CHIP C 9.0PF D		L25			L33-0651-05	CHOKE COIL	
C980			C93-0555-05	CHIP C 5.0PF C		L26			L40-4795-34	SMALL FIXED INDUCTOR (4.7UH)	
C981			CC73FCH1H471J	CHIP C 470PF J		L27		*	L39-1450-05	TOROIDAL COIL	
C982			CM73F2H120J	CHIP C 12PF J		L29		*	L39-1450-05	TOROIDAL COIL	
C983			C93-0553-05	CHIP C 3.0PF C		L30-33			L92-0149-05	FERRITE CHIP	
C985			C93-0566-05	CHIP C 33PF J		L101,102			L34-0895-05	AIR-CORE COIL	
C987			C93-0562-05	CHIP C 15PF J		L103,104			L34-1058-05	AIR-CORE COIL	
C989-991			CC73FCH1H101J	CHIP C 100PF J		L105,106			L34-1177-05	AIR-CORE COIL	
C992			CM73F2H240J	CHIP C 24PF J		L107,108			L34-0908-05	AIR-CORE COIL	
C993			C93-0558-05	CHIP C 8.0PF D		L109			L34-1359-05	AIR-CORE COIL	
C994			CM73F2H060D	CHIP C 6.0PF D		L111,112			L40-1095-34	SMALL FIXED INDUCTOR (1UH)	
C995			C93-0566-05	CHIP C 33PF J		L114			L92-0149-05	FERRITE CHIP	
TC101,102			C05-0309-05	CERAMIC TRIMMER CAP (40P)		L115		*	L34-4652-05	AIR-CORE COIL	
TC901			C05-0030-15	CERAMIC TRIMMER CAP (20P)		L116		*	L34-4656-05	AIR-CORE COIL	
CN1,2			E04-0154-05	PIN SOCKET		L117			L34-1185-05	AIR-CORE COIL	
CN3			E23-0996-05	TEST TERMINAL		L118		*	L34-4652-05	AIR-CORE COIL	
CN4			E04-0154-05	PIN SOCKET		L119		*	L34-4653-05	AIR-CORE COIL	
CN5			E40-3240-05	PIN ASSY		L120			L34-4402-05	AIR-CORE COIL	
CN8			E40-3237-05	PIN ASSY		L121,122			L34-0452-05	AIR-CORE COIL	
CN9		*	E40-6078-05	FLAT CABLE CONNECTOR		L124,125			L92-0149-05	FERRITE CHIP	
CN10			E40-5764-05	FLAT CABLE CONNECTOR		L126		*	L34-4658-05	AIR-CORE COIL	
CN11,12			E23-0996-05	TEST TERMINAL		L127			L92-0149-05	FERRITE CHIP	
CN14			E23-0996-05	TEST TERMINAL		L201,202			L40-4705-34	SMALL FIXED INDUCTOR (47UH)	
CN15			E40-3256-05	PIN ASSY		L205			L40-1001-12	SMALL FIXED INDUCTOR	
CN16			E40-3254-05	PIN ASSY		L206,207			L40-1005-34	SMALL FIXED INDUCTOR (10UH)	
CN17			E23-0996-05	TEST TERMINAL		L208			L40-4705-34	SMALL FIXED INDUCTOR (47UH)	
CN22			E40-3246-05	PIN ASSY		L209			L40-1001-12	SMALL FIXED INDUCTOR	
CN27			E40-3238-05	PIN ASSY		L210			L40-1095-34	SMALL FIXED INDUCTOR (1UH)	
CN102,103			E23-0996-05	TEST TERMINAL		L211			L92-0131-05	FERRITE CHIP	
CN203,204			E23-1116-05	RELAY TERMINAL		L501,502			L39-0421-04	COIL	
CN801,802			E04-0154-05	PIN SOCKET		L801			L40-1001-12	SMALL FIXED INDUCTOR	
CN901			E04-0190-05	PIN SOCKET		L802,803		*	L39-1441-05	TOROIDAL COIL	
CN902			E40-5765-05	FLAT CABLE CONNECTOR							
CN903,904			E23-1116-05	RELAY TERMINAL							

PARTS LIST

FINAL UNIT (X45-360X-XX)

Ref. No.	Address	New parts	Parts No.	Description	Destination	Ref. No.	Address	New parts	Parts No.	Description	Destination
L804		*	L39-1440-05	TOROIDAL COIL		R25			RK73FB2A820J	CHIP R 82 J 1/10W	
L805-807			L40-4705-34	SMALL FIXED INDUCTOR (47UH)		R26			RK73FB2A270J	CHIP R 27 J 1/10W	
L808		*	L34-4633-05	AIR-CORE COIL		R27			R92-2018-05	CHIP R 560 J 1/2W	
L809-811			L40-4705-34	SMALL FIXED INDUCTOR (47UH)		R30			R92-1318-05	CHIP R 100 J 1W	
L812		*	L34-4630-05	AIR-CORE COIL		R31,32		*	R92-2673-05	RESISTOR 1.0	
L813-815			L40-4705-34	SMALL FIXED INDUCTOR (47UH)		R33,34		*	R92-3511-05	RESISTOR 8.2	
L816			L34-4490-05	AIR-CORE COIL		R35-40		*	RK73EB2E1R0J	CHIP R 1.0 J 1/4W	
L817-819			L40-4705-34	SMALL FIXED INDUCTOR (47UH)		R41,42			R92-1240-05	CHIP R 10 J 1/4W	
L820			L34-4490-05	AIR-CORE COIL		R43			RK73FB2A331J	CHIP R 330 J 1/10W	
L821-823			L40-4705-34	SMALL FIXED INDUCTOR (47UH)		R44			RS14DB3A4R7J	FL-PROOF RS 4.7 J 1W	
L824		*	L34-4629-05	AIR-CORE COIL		R45,46			RS14DB3D390J	FL-PROOF RS 39 J 2W	
L825-827			L40-4705-34	SMALL FIXED INDUCTOR (47UH)		R101			R92-1318-05	CHIP R 100 J 1W	
L828			L34-4490-05	AIR-CORE COIL		R102			RS14DB3A100J	FL-PROOF RS 10 J 1W	
L829-831			L40-4705-34	SMALL FIXED INDUCTOR (47UH)		R103			RS14DB3F101J	FL-PROOF RS 100 J 3W	
L832			L34-4490-05	AIR-CORE COIL		R106			R92-1213-05	CHIP R 100 J 1/2W	
L833-835			L40-4705-34	SMALL FIXED INDUCTOR (47UH)		R107			R92-1212-05	CHIP R 27 J 1/2W	
L852,853		*	L39-1441-05	TOROIDAL COIL		R108			RK73FB2A100J	CHIP R 10 J 1/10W	
L854		*	L39-1440-05	TOROIDAL COIL		R109			RK73FB2A331J	CHIP R 330 J 1/10W	
L855			L34-1177-05	AIR-CORE COIL		R110			RK73FB2A561J	CHIP R 560 J 1/10W	
L901			L40-1085-34	SMALL FIXED INDUCTOR (100NH)		R111			R92-2559-05	RESISTOR 12	
L902			L92-0149-05	FERRITE CHIP		R201			RK73FB2A472J	CHIP R 4.7K J 1/10W	
L903			L40-1095-34	SMALL FIXED INDUCTOR (1UH)		R202			R92-2536-05	CHIP R 2.2 J 1/4W	
L904			L92-0149-05	FERRITE CHIP		R203			RK73FB2A472J	CHIP R 4.7K J 1/10W	
L905			L34-0895-05	AIR-CORE COIL		R204			R92-1259-05	CHIP R 18 J 1/2W	
L906			L34-0742-05	AIR-CORE COIL		R205			RK73FB2A102J	CHIP R 1.0K J 1/10W	
L907			L92-0149-05	FERRITE CHIP		R206			RK73FB2A100J	CHIP R 10 J 1/10W	K, KX
L909			L34-0742-05	AIR-CORE COIL		R207			RK73FB2A333J	CHIP R 33K J 1/10W	
L910			L34-1185-05	AIR-CORE COIL		R208			RK73FB2A102J	CHIP R 1.0K J 1/10W	
L911			L40-1085-34	SMALL FIXED INDUCTOR (100NH)		R209-212			RK73FB2A101J	CHIP R 100 J 1/10W	
L912			L34-0742-05	AIR-CORE COIL		R213			R92-2021-05	CHIP R 2.2 J 1/2W	
L913			L92-0149-05	FERRITE CHIP		R214			R92-0679-05	CHIP R 0 OHM	
L915			L34-1232-15	AIR-CORE COIL		R216,217			R92-0670-05	CHIP R 0 OHM	
L916			L34-1231-15	AIR-CORE COIL		R218			RK73FB2A101J	CHIP R 100 J 1/10W	
L917			L34-1239-05	AIR-CORE COIL		R219			RK73FB2A681J	CHIP R 680 J 1/10W	
L918,919			L34-1185-05	AIR-CORE COIL		R220			RK73FB2A100J	CHIP R 10 J 1/10W	
L921,922			L34-1185-05	AIR-CORE COIL		R221		*	RK73FB2A4R7J	CHIP R 4.7 J 1/10W	
L923			L34-4617-15	AIR-CORE COIL		R222			R92-0679-05	CHIP R 0 OHM	
L924			L34-1239-05	AIR-CORE COIL		R501,502			RS14DB3F820J	FL-PROOF RS 82 J 3W	
L926			L40-2275-34	SMALL FIXED INDUCTOR (22NH)		R901			RK73FB2A563J	CHIP R 56K J 1/10W	
L927-931			L40-1085-34	SMALL FIXED INDUCTOR (100NH)		R902			R92-0670-05	CHIP R 0 OHM	
L932			L34-4617-15	AIR-CORE COIL		R903			RK73FB2A470J	CHIP R 47 J 1/10W	
CN803,804			R92-1061-05	JUMPER REST 0 OHM		R904			RK73FB2A274J	CHIP R 270K J 1/10W	
R1,2			RK73FB2A101J	CHIP R 100 J 1/10W		R906			R92-0670-05	CHIP R 0 OHM	
R3			RK73FB2A150J	CHIP R 15 J 1/10W		R907			RK73FB2A332J	CHIP R 3.3K J 1/10W	
R4			RK73FB2A681J	CHIP R 680 J 1/10W		R908			R92-0670-05	CHIP R 0 OHM	
R5			RK73FB2A332J	CHIP R 3.3K J 1/10W		R909			RK73FB2A470J	CHIP R 47 J 1/10W	
R6			RK73FB2A681J	CHIP R 680 J 1/10W		R910			RK73FB2A183J	CHIP R 18K J 1/10W	
R7			RK73FB2A152J	CHIP R 1.5K J 1/10W		R911			RK73FB2A221J	CHIP R 220 J 1/10W	
R8			RK73FB2A471J	CHIP R 470 J 1/10W		R912			R92-1221-05	CHIP R 82 J 1/4W	
R9			RK73FB2A100J	CHIP R 10 J 1/10W		R913			RK73FB2A391J	CHIP R 390 J 1/10W	
R10			R92-0670-05	CHIP R 0 OHM		R914			R92-1261-05	CHIP R 150 J 1/2W	
R11			RK73FB2A221J	CHIP R 220 J 1/10W		R915			R92-1253-05	CHIP R 82 J 1/2W	
R12			RK73FB2A391J	CHIP R 390 J 1/10W		R916,917			RK73FB2A681J	CHIP R 680 J 1/10W	
R13			RK73FB2A471J	CHIP R 470 J 1/10W		R918			R92-1253-05	CHIP R 82 J 1/2W	
R14			R92-2021-05	CHIP R 2.2 J 1/2W		R919-922			RK73FB2A183J	CHIP R 18K J 1/10W	
R15			RK73EB2B221J	CHIP R 220 J 1/8W		R923,924			RK73FB2A220J	CHIP R 22 J 1/10W	
R16-19			RK73FB2A1R0J	CHIP R 1.0 J 1/10W		R925			RK73FB2A390J	CHIP R 39 J 1/10W	
R20,21			RK73FB2A470J	CHIP R 47 J 1/10W		R928			R92-0679-05	CHIP R 0 OHM	
R24			R92-1213-05	CHIP R 100 J 1/2W		VR1			R12-6730-05	TRIMMING POT. (220)	
						VR2			R12-6737-05	TRIMMING POT. (3.3K)	

K : TS-2000 (K) KX : TS-2000X (K)
E : TS-2000 (E) E2 : TS-2000 (E2)

PARTS LIST

FINAL UNIT (X45-360X-XX)

FILTER UNIT (X51-315X-XX)

Ref. No.	Address	New parts	Parts No.	Description	Destination
VR102			R12-6737-05	TRIMMING POT. (3.3K)	
VR901			R12-6730-05	TRIMMING POT. (220)	
VR902			R12-6737-05	TRIMMING POT. (3.3K)	
K1		*	S76-0424-05	RELAY	
K201		*	S76-0429-05	RELAY	
K801,802			S76-0419-05	RELAY	
K803			S76-0415-05	RELAY	
K804,805			S76-0419-05	RELAY	
K806			S76-0415-05	RELAY	
K807,808			S76-0419-05	RELAY	
K809			S76-0415-05	RELAY	
K810,811			S76-0419-05	RELAY	
K812			S76-0415-05	RELAY	
K813,814			S76-0419-05	RELAY	
K815			S76-0415-05	RELAY	
K816,817			S76-0419-05	RELAY	
K818			S76-0415-05	RELAY	
K819,820			S76-0419-05	RELAY	
K821			S76-0415-05	RELAY	
K822,823			S76-0419-05	RELAY	
K824			S76-0415-05	RELAY	
D1			DAN235E	DIODE	
D2		*	MA2C029W-B	VARISTOR	
D3			1SS355	DIODE	
D5			DAN202K	DIODE	
D6			1SS355	DIODE	
D7,8			MA27-B	VARISTOR	
D101,102			MA742	DIODE	
D103,104			MA27-B	VARISTOR	
D201		*	ZSH5MA27	SURGE ABSORBER	
D202			1SS355	DIODE	
D203			02CZ18(X)	ZENER DIODE	
D204			1SS355	DIODE	
D206-209			DAP202U	DIODE	
D210			1SS355	DIODE	
D801-824			1SS355	DIODE	
D901-903			MA27-B	VARISTOR	
D904,905			HSM88ASR	DIODE	
D906			MA4PH633	DIODE	
D908			XB15A709	DIODE	
D909			HVU131	DIODE	
IC201			TA7808F	IC	
IC202			TA7808S	IC	
IC203			BA10T	IC	
IC204			TA7805F	IC	
IC205			BU2099FV	IC	
IC801-803			UPD6345GS	IC	
Q1			2SK2596	FET	
Q2			2SC1971	TRANSISTOR	
Q3,4			2SC1972	TRANSISTOR	
Q6,7		*	2SC5125	TRANSISTOR	
Q8			2SC3421(Y)	TRANSISTOR	
Q101,102			2SC2694	TRANSISTOR	
Q103			2SC3421(Y)	TRANSISTOR	
Q201			FMC2	DIGITAL TRANSISTOR	
Q202,203			DTA143EKA	DIGITAL TRANSISTOR	
Q204,205			DTD123EK	DIGITAL TRANSISTOR	
Q206			DTC114EKA	DIGITAL TRANSISTOR	
Q207		*	DTC143TKA	DIGITAL TRANSISTOR	
Q208-210			DTB143EK	DIGITAL TRANSISTOR	E,E2
Q208-215			DTB143EK	DIGITAL TRANSISTOR	K,KX
Q212-215			DTB143EK	DIGITAL TRANSISTOR	E,E2
Q216,217			FMC2	DIGITAL TRANSISTOR	
Q901			2SK2596	FET	
Q902			2SK2595	FET	
Q903			2SC3022	TRANSISTOR	
Q904			2SC3421(Y)	TRANSISTOR	
Q905			2SC3102	TRANSISTOR	
TH201			5TP-41S	THERMISTOR	
TH901		*	157-153-53002	THERMISTOR	
-			212-1021-05	INSULATING TUBE	

FILTER UNIT (X51-315X-XX) 0-00 : K,KX 2-71 : E,E2					
C2			C93-0553-05	CHIP C 3.0PF C	
C3			C93-0562-05	CHIP C 15PF J	
C5			CK73FB1H103K	CHIP C 0.010UF K	
C7			CK73FB1H102K	CHIP C 1000PF K	
C8			CC73FCH1H680J	CHIP C 68PF J	
C9			C93-0553-05	CHIP C 3.0PF C	
C10			CC73FCH1H560J	CHIP C 56PF J	
C11			CK73FB1H102K	CHIP C 1000PF K	
C12-14			CK73FB1H103K	CHIP C 0.010UF K	
C15,16			CC73FCH1H470J	CHIP C 47PF J	
C17-26			CK73FB1H103K	CHIP C 0.010UF K	
C27			CK73FB1H102K	CHIP C 1000PF K	
C28,29			CK73FB1E104K	CHIP C 0.10UF K	
C30			CE04EW1E470M	ELECTRO 47UF 25WV	
C31,32			CK73FB1H103K	CHIP C 0.010UF K	
C34			C93-0562-05	CHIP C 15PF J	
C35			C93-0565-05	CHIP C 27PF J	
C36			CK73FB1H103K	CHIP C 0.010UF K	
C37			C93-0556-05	CHIP C 6.0PF D	
C201			CM73F2H102J	CHIP C 1000PF J	
C202			CM73F2H561J	CHIP C 560PF J	
C203			CM73F2H102J	CHIP C 1000PF J	
C204			CM73F2H821J	CHIP C 820PF J	
C205		*	C93-0573-05	CHIP C 120PF J	
C206			CM73F2H102J	CHIP C 1000PF J	
C207			CK73FB1H103K	CHIP C 0.010UF K	
C208,209			C93-0570-05	CHIP C 68PF J	
C251			CM73F2H561J	CHIP C 560PF J	
C252		*	C93-0573-05	CHIP C 120PF J	
C253			CM73F2H102J	CHIP C 1000PF J	
C255			C93-0573-05	CHIP C 120PF J	
C256			CM73F2H561J	CHIP C 560PF J	
C258			CK73FB1H103K	CHIP C 0.010UF K	
C261			C93-0565-05	CHIP C 27PF J	
C262,263		*	C93-0573-05	CHIP C 120PF J	
C301,302			C93-0572-05	CHIP C 100PF J	
C303,304			CM73F2H471J	CHIP C 470PF J	
C305			C93-0564-05	CHIP C 22PF J	
C306			CM73F2H331J	CHIP C 330PF J	
C307			CK73FB1H103K	CHIP C 0.010UF K	
C308			CM73F2H271J	CHIP C 270PF J	
C311			CM73F2H331J	CHIP C 330PF J	
C351			C93-0571-05	CHIP C 82PF J	E,E2
C353			C93-0568-05	CHIP C 47PF J	E,E2
C355			CM73F2H471J	CHIP C 470PF J	E,E2

PARTS LIST

FILTER UNIT (X51-315X-XX)

Ref. No.	Address	New parts	Parts No.	Description	Desti-nation	Ref. No.	Address	New parts	Parts No.	Description	Desti-nation
C356			C93-0572-05	CHIP C 100PF J	E,E2	L8			L40-1021-12	SMALL FIXED INDUCTOR	
C357		*	C93-0573-05	CHIP C 120PF J	E,E2	L9		*	L39-1442-05	TOROIDAL COIL	
C358			CK73FB1H103K	CHIP C 0.010UF K	E,E2	L10		*	L39-1443-05	TOROIDAL COIL	
C360			CK73FB1H103K	CHIP C 0.010UF K		L11,12			L40-4705-34	SMALL FIXED INDUCTOR (47UH)	
C362		*	C93-0573-05	CHIP C 120PF J	E,E2	L13			L40-1885-48	SMALL FIXED INDUCTOR (180NH)	
C401,402		*	C93-0573-05	CHIP C 120PF J		L14,15			L40-4705-34	SMALL FIXED INDUCTOR (47UH)	
C403			C93-0569-05	CHIP C 56PF J	E,E2	L201			L40-4705-34	SMALL FIXED INDUCTOR (47UH)	
C403			C93-0572-05	CHIP C 100PF J	K,KX	L202		*	L39-1259-05	TOROIDAL COIL	
C404,405		*	C93-0573-05	CHIP C 120PF J		L203			L39-1260-05	TOROIDAL COIL	
C406			C93-0565-05	CHIP C 27PF J	E,E2	L251			L40-4705-34	SMALL FIXED INDUCTOR (47UH)	
C406			C93-0567-05	CHIP C 39PF J	K,KX	L252			L39-1405-05	TOROIDAL COIL	
C407			C93-0566-05	CHIP C 33PF J	K,KX	L253			L39-1225-05	TOROIDAL COIL	
C407			C93-0571-05	CHIP C 82PF J	E,E2	L301			L40-4705-34	SMALL FIXED INDUCTOR (47UH)	
C408			CK73FB1H103K	CHIP C 0.010UF K		L302,303			L39-1457-05	TOROIDAL COIL	
C411			C93-0560-05	CHIP C 10PF D	K,KX	L351			L40-4705-34	SMALL FIXED INDUCTOR (47UH)	E,E2
C451,452			C93-0562-05	CHIP C 15PF J		L352,353			L39-1221-05	TOROIDAL COIL	E,E2
C453			C93-0572-05	CHIP C 100PF J		L401			L40-4705-34	SMALL FIXED INDUCTOR (47UH)	
C454			C93-0571-05	CHIP C 82PF J		L402-404		*	L39-1456-05	TOROIDAL COIL	
C455			C93-0566-05	CHIP C 33PF J		L451			L40-4705-34	SMALL FIXED INDUCTOR (47UH)	
C456			C93-0571-05	CHIP C 82PF J		L452,453			L34-1279-05	AIR-CORE COIL	
C457			CK73FB1H103K	CHIP C 0.010UF K		L501			L40-4705-34	SMALL FIXED INDUCTOR (47UH)	
C458			C93-0552-05	CHIP C 2.0PF C		L502		*	L34-4661-05	AIR-CORE COIL	
C501			C93-0571-05	CHIP C 82PF J		L503			L34-1282-05	AIR-CORE COIL	
C502			C93-0569-05	CHIP C 56PF J		L551			L40-4705-34	SMALL FIXED INDUCTOR (47UH)	
C503			C93-0571-05	CHIP C 82PF J		L552		*	L34-4662-05	AIR-CORE COIL	
C504			C93-0572-05	CHIP C 100PF J		L553			L34-4491-05	AIR-CORE COIL	
C505			C93-0562-05	CHIP C 15PF J		L554			L34-1359-05	AIR-CORE COIL	
C506			C93-0570-05	CHIP C 68PF J							
C507			CK73FB1H103K	CHIP C 0.010UF K		R2,3			R92-1205-05	CHIP R 120 J 1/4W	
C508			C93-0555-05	CHIP C 5.0PF C		R5			RK73FB2A100J	CHIP R 10 J 1/10W	
C509			C93-0552-05	CHIP C 2.0PF C		R6			R92-0686-05	CHIP R 33 J 1/2W	
C551			C93-0558-05	CHIP C 8.0PF D		R7			R92-1212-05	CHIP R 27 J 1/2W	
C553			C93-0568-05	CHIP C 47PF J		R8			R92-1316-05	CHIP R 39 J 1W	
C554			C93-0559-05	CHIP C 9.0PF D		R9,10			RK73FB2A101J	CHIP R 100 J 1/10W	
C555			C93-0569-05	CHIP C 56PF J		R11-14			RK73FB2A104J	CHIP R 100K J 1/10W	
C557			C93-0562-05	CHIP C 15PF J		R15,16			RK73FB2A102J	CHIP R 1.0K J 1/10W	
C558			C93-0563-05	CHIP C 18PF J		R17,18			RK73FB2A101J	CHIP R 100 J 1/10W	
C559,560			CK73FB1H103K	CHIP C 0.010UF K		R19,20			RK73FB2A104J	CHIP R 100K J 1/10W	
C561			C93-0558-05	CHIP C 8.0PF D							
C562			C93-0554-05	CHIP C 4.0PF C		R21,22			RK73FB2A103J	CHIP R 10K J 1/10W	
C563			C93-0553-05	CHIP C 3.0PF C		R23,24			RK73FB2A152J	CHIP R 1.5K J 1/10W	
C601			C93-0555-05	CHIP C 5.0PF C		R25,26			RK73FB2A102J	CHIP R 1.0K J 1/10W	
TC1			C05-0031-15	CERAMIC TRIMMER CAP (10P)		R27,28			RK73FB2A332J	CHIP R 3.3K J 1/10W	
CN2,3			E23-0996-05	TEST TERMINAL		R29,30			RK73FB2A151J	CHIP R 150 J 1/10W	
CN4			E04-0154-05	PIN SOCKET		R31,32			RK73FB2A122J	CHIP R 1.2K J 1/10W	
CN5-8			E23-0996-05	TEST TERMINAL		R33			RK73FB2A103J	CHIP R 10K J 1/10W	
CN9			E40-3256-05	PIN ASSY		R34			RK73FB2A332J	CHIP R 3.3K J 1/10W	
CN10			E40-3254-05	PIN ASSY		R35			RK73FB2A103J	CHIP R 10K J 1/10W	
CN12,13			E04-0154-05	PIN SOCKET		R36			RK73FB2A332J	CHIP R 3.3K J 1/10W	
CN20			E04-0154-05	PIN SOCKET							
CN21			E04-0190-05	PIN SOCKET		R37,38			RK73FB2A103J	CHIP R 10K J 1/10W	
-			L92-0104-05	TROIDAL CORE		R39			RK73FB2A101J	CHIP R 100 J 1/10W	
-			L92-0107-05	TROIDAL CORE		R40			RK73FB2A333J	CHIP R 33K J 1/10W	
-			L92-0108-05	TROIDAL CORE		VR1			R12-6730-05	TRIMMING POT. (220)	
L2,3			L34-1232-15	AIR-CORE COIL		VR2			R12-6742-05	TRIMMING POT. (22K)	
L4			L40-1095-34	SMALL FIXED INDUCTOR (1UH)		K1		*	S51-1429-05	RELAY	
L5			L34-1088-05	AIR-CORE COIL		K2		*	S76-0430-05	RELAY	
L6			L40-1021-12	SMALL FIXED INDUCTOR		K3,4		*	S76-0424-05	RELAY	
L7			L39-0480-15	TOROIDAL COIL		K201,202		*	S76-0423-05	RELAY	
						K251,252		*	S76-0423-05	RELAY	
						K301,302		*	S76-0423-05	RELAY	
						K351,352		*	S76-0423-05	RELAY	E,E2

K : TS-2000 (K) KX : TS-2000X (K)
E : TS-2000 (E) E2 : TS-2000 (E2)

PARTS LIST

FILTER UNIT (X51-315X-XX)

CONTROL UNIT (X53-391X-XX)

Ref. No.	Address	New parts	Parts No.	Description	Destination	Ref. No.	Address	New parts	Parts No.	Description	Destination
K401,402		*	S76-0423-05	RELAY		C147,148			CC73GCH1H160J	CHIP C 16PF J	
K451,452		*	S76-0423-05	RELAY		C149			CK73GB1C104K	CHIP C 0.10UF K	
K501,502			S51-1420-05	RELAY		C150			CK73GB1H103K	CHIP C 0.010UF K	
K551,552			S51-1420-05	RELAY		C151			CK73GB1C104K	CHIP C 0.10UF K	
						C152			CK73FB1A105K	CHIP C 1.0UF K	
D2			1SS355	DIODE		C153,154			CK73GB1C104K	CHIP C 0.10UF K	
D3,4			1SS348	DIODE		C155			CK73GB1E223K	CHIP C 0.022UF K	
D5-7			1SS355	DIODE		C156			CC73GCH1H221J	CHIP C 220PF J	
D8,9			DSA301LA	DIODE		C157			CK73GB1H222K	CHIP C 2200PF K	
D10,11			HSM88AS	DIODE		C158			CK73GB1C104K	CHIP C 0.10UF K	
D201			1SS355	DIODE		C159			CK73GB1H682K	CHIP C 6800PF K	
D251			1SS355	DIODE		C160			CK73GB1E223K	CHIP C 0.022UF K	
D301			1SS355	DIODE	E,E2	C161			CK73GB1H102K	CHIP C 1000PF K	
D351			1SS355	DIODE		C162			CK73GB1H103K	CHIP C 0.010UF K	
D401			1SS355	DIODE		C163			CK73GB1H682K	CHIP C 6800PF K	
D451			1SS355	DIODE		C164			CK73GB1E223K	CHIP C 0.022UF K	
D501			1SS355	DIODE		C165			CK73GB1H682K	CHIP C 6800PF K	
D551			1SS355	DIODE		C166			CK73GB1H471K	CHIP C 470PF K	
IC1			TA75S393F	IC		C167			CC73GCH1H101J	CHIP C 100PF J	
IC2			TC7WH74FU	IC (D FLIP FLOP)		C168			CK73GB1H472K	CHIP C 4700PF K	
Q1,2			2SK208(GR)	FET		C169			CK73GB1H103K	CHIP C 0.010UF K	
Q3,4			FMW1	TRANSISTOR		C170			CK73GB1H471K	CHIP C 470PF K	
						C171			CK73GB1C104K	CHIP C 0.10UF K	
						C172,173			CK73FB1A105K	CHIP C 1.0UF K	
						C174			CK73GB1H103K	CHIP C 0.010UF K	
CONTROL UNIT (X53-391X-XX)											
0-11 : K,KX 2-71 : E 2-72 : E2											
C1-7			CK73GB1H102K	CHIP C 1000PF K		C175			CK73GB1C473K	CHIP C 0.047UF K	
C8-11			CK73GB1C104K	CHIP C 0.10UF K		C176,177			CK73GB1C104K	CHIP C 0.10UF K	
C12-15			CC73GCH1H101J	CHIP C 100PF J		C178,179			CK73GB1H102K	CHIP C 1000PF K	
C16,17			CK73GB1C104K	CHIP C 0.10UF K		C180			C92-0523-05	CHIP-ELE 10UF 16WV	
C18			CK73GB1H103K	CHIP C 0.010UF K		C181			CK73GB1C473K	CHIP C 0.047UF K	
C19			C92-0562-05	ELECTRO 330UF 6.3WV		C182,183			CK73GB1C104K	CHIP C 0.10UF K	
C20,21			CK73GB1C104K	CHIP C 0.10UF K		C185			CK73FB1A105K	CHIP C 1.0UF K	
C22			CK73GB1H103K	CHIP C 0.010UF K		C186			CK73GB1C104K	CHIP C 0.10UF K	
C23,24			CK73GB1C104K	CHIP C 0.10UF K		C187			CK73GB1H102K	CHIP C 1000PF K	
C25			CK73GB1H103K	CHIP C 0.010UF K		C188			CK73GB1C104K	CHIP C 0.10UF K	
C26			C92-0041-05	CHIP-ELE 10UF 10WV		C501,502			CK73GB1C104K	CHIP C 0.10UF K	
C27			C92-0566-05	CHIP-TAN 10UF 6.3WV		C503			C92-0048-05	ELECTRO 100UF 6.3WV	
C28-33			CK73GB1H103K	CHIP C 0.010UF K		C504-507			CK73GB1H103K	CHIP C 0.010UF K	
C34,35			CC73GCH1H100D	CHIP C 10PF D		C508			C92-0048-05	ELECTRO 100UF 6.3WV	
C36-44			CK73GB1H103K	CHIP C 0.010UF K		C509-519			CK73GB1H103K	CHIP C 0.010UF K	
C45-48			CK73GB1H102K	CHIP C 1000PF K		C520			CK73GB1C104K	CHIP C 0.10UF K	
C49			CK73GB1C104K	CHIP C 0.10UF K		C521			CK73GB1H103K	CHIP C 0.010UF K	
C50-62			CK73GB1H102K	CHIP C 1000PF K		C522			CK73GB1C104K	CHIP C 0.10UF K	
C64			CK73GB1C104K	CHIP C 0.10UF K		C523			C92-0048-05	ELECTRO 100UF 6.3WV	
C66-79			CK73GB1H103K	CHIP C 0.010UF K		C524,525			CK73GB1H103K	CHIP C 0.010UF K	
C80-83			CK73GB1H102K	CHIP C 1000PF K		C526			CK73GB1C104K	CHIP C 0.10UF K	
C84-86			CC73GCH1H101J	CHIP C 100PF J		C527			CK73GB1H103K	CHIP C 0.010UF K	
C87-91			CK73GB1H102K	CHIP C 1000PF K		C528,529			CK73GB1C104K	CHIP C 0.10UF K	
C92			CC73GCH1H101J	CHIP C 100PF J		C530,531			CK73GB1H103K	CHIP C 0.010UF K	
C93,94			CK73GB1H102K	CHIP C 1000PF K		C532			CK73GB1C104K	CHIP C 0.10UF K	
C95-98			CC73GCH1H101J	CHIP C 100PF J		C533,534			CC73GCH1H100D	CHIP C 10PF D	
C99,100			CK73GB1H102K	CHIP C 1000PF K		C535			CK73GB1C104K	CHIP C 0.10UF K	
C101-110			CC73GCH1H101J	CHIP C 100PF J		C536			CK73GB1H103K	CHIP C 0.010UF K	
C111			CK73GB1H103K	CHIP C 0.010UF K		C537			CK73GB1C104K	CHIP C 0.10UF K	
C112-127			CK73GB1H102K	CHIP C 1000PF K		C538			C92-0048-05	ELECTRO 100UF 6.3WV	
C128-139			CC73GCH1H101J	CHIP C 100PF J		C539,540			CK73GB1H103K	CHIP C 0.010UF K	
C140-143			CK73GB1H102K	CHIP C 1000PF K		C541			CK73GB1C104K	CHIP C 0.10UF K	
C145			CK73GB1C104K	CHIP C 0.10UF K		C542			CK73GB1H103K	CHIP C 0.010UF K	
						C543,544			CK73GB1C104K	CHIP C 0.10UF K	
						C545,546			CK73GB1H103K	CHIP C 0.010UF K	

PARTS LIST

CONTROL UNIT (X53-391X-XX)

Ref. No.	Address	New parts	Parts No.	Description	Destination	Ref. No.	Address	New parts	Parts No.	Description	Destination
C547			CK73GB1C104K	CHIP C 0.10UF K		C633,634			C92-0566-05	CHIP-TAN 10UF 6.3WV	
C548,549			CC73GCH1H100D	CHIP C 10PF D		C635			CK73GB1H103K	CHIP C 0.010UF K	
C550			CK73GB1H103K	CHIP C 0.010UF K		C636			CK73GB1H102K	CHIP C 1000PF K	
C551,552			CK73GB1H102K	CHIP C 1000PF K		C637			CK73GB1H472K	CHIP C 4700PF K	
C553,554			CK73GB1C104K	CHIP C 0.10UF K		C638			CK73GB1H471K	CHIP C 470PF K	
C555,556			C92-0041-05	CHIP-ELE 10UF 10WV		C639-641			C92-0566-05	CHIP-TAN 10UF 6.3WV	
C557,558			CK73GB1C104K	CHIP C 0.10UF K		C642			CK73GB1C104K	CHIP C 0.10UF K	
C559			CC73GCH1H100D	CHIP C 10PF D		C643			CK73GB1H103K	CHIP C 0.010UF K	
C560,561			CK73GB1H103K	CHIP C 0.010UF K		C644			C92-0566-05	CHIP-TAN 10UF 6.3WV	
C562			CC73GCH1H100D	CHIP C 10PF D		C645			CK73GB1C104K	CHIP C 0.10UF K	
C563			C92-0048-05	ELECTRO 100UF 6.3WV		C646,647			C92-0566-05	CHIP-TAN 10UF 6.3WV	
C564			CK73GB1H103K	CHIP C 0.010UF K		C648			CK73GB1H681K	CHIP C 680PF K	
C565			C92-0566-05	CHIP-TAN 10UF 6.3WV		C649			CK73GB1H682K	CHIP C 6800PF K	
C566,567			C92-0507-05	CHIP-TAN 4.7UF 6.3WV		C650			CK73GB1H103K	CHIP C 0.010UF K	
C568-570			CK73GB1C104K	CHIP C 0.10UF K		C651-655			CK73GB1C104K	CHIP C 0.10UF K	
C571,572			C92-0507-05	CHIP-TAN 4.7UF 6.3WV		C656,657			CK73GB1E223K	CHIP C 0.022UF K	
C573-575			CK73GB1C104K	CHIP C 0.10UF K		C658			CK73GB1H102K	CHIP C 1000PF K	
C576,577			CK73GB1H222K	CHIP C 2200PF K		C659			C92-0004-05	CHIP-TAN 1.0UF 16WV	
C578			C92-0566-05	CHIP-TAN 10UF 6.3WV		C660-673			CK73GB1H102K	CHIP C 1000PF K	
C579,580			C92-0507-05	CHIP-TAN 4.7UF 6.3WV		C674			CC73GCH1H101J	CHIP C 100PF J	
C581-583			CK73GB1C104K	CHIP C 0.10UF K		C675-678			CK73GB1H102K	CHIP C 1000PF K	
C584,585			C92-0507-05	CHIP-TAN 4.7UF 6.3WV		C700			C92-0041-05	CHIP-ELE 10UF 10WV	
C586-588			CK73GB1C104K	CHIP C 0.10UF K		C701			CK73GB1C104K	CHIP C 0.10UF K	
C589,590			CK73GB1H222K	CHIP C 2200PF K		C702			C92-0566-05	CHIP-TAN 10UF 6.3WV	
C591			CK73GB1H272K	CHIP C 2700PF K		C703			CK73GB1C104K	CHIP C 0.10UF K	
C592,593			CC73GCH1H331J	CHIP C 330PF J		C704			C92-0566-05	CHIP-TAN 10UF 6.3WV	
C594			CK73GB1H103K	CHIP C 0.010UF K		C705			CK73FB1A105K	CHIP C 1.0UF K	
C595			C92-0566-05	CHIP-TAN 10UF 6.3WV		C708			CK73FB1A105K	CHIP C 1.0UF K	
C596			CK73GB1C104K	CHIP C 0.10UF K		C711-714			CK73GB1H102K	CHIP C 1000PF K	
C599			C92-0566-05	CHIP-TAN 10UF 6.3WV		C715			C92-0507-05	CHIP-TAN 4.7UF 6.3WV	
C600			CK73GB1H103K	CHIP C 0.010UF K		C716			C92-0041-05	CHIP-ELE 10UF 10WV	
C601			C92-0566-05	CHIP-TAN 10UF 6.3WV		C717			CK73GB1H102K	CHIP C 1000PF K	
C602			CK73GB1C104K	CHIP C 0.10UF K		C718			CC73GCH1H220J	CHIP C 22PF J	
C603			C92-0566-05	CHIP-TAN 10UF 6.3WV		C719-728			CK73GB1H102K	CHIP C 1000PF K	
C604			CC73GCH1H151J	CHIP C 150PF J		CN1			E40-5762-05	FLAT CABLE CONNECTOR	
C605			CK73GB1H152K	CHIP C 1500PF K		CN3			E40-3250-05	PIN ASSY	
C606			C92-0566-05	CHIP-TAN 10UF 6.3WV		CN4			E40-5978-05	FLAT CABLE CONNECTOR	
C607			CK73GB1H103K	CHIP C 0.010UF K		CN5	*		E40-6074-05	FLAT CABLE CONNECTOR	
C608			C92-0566-05	CHIP-TAN 10UF 6.3WV		CN6			E40-5902-05	FLAT CABLE CONNECTOR	
C609			CK73GB1C104K	CHIP C 0.10UF K		CN7			E40-5744-05	FLAT CABLE CONNECTOR	
C610			C92-0566-05	CHIP-TAN 10UF 6.3WV		CN503			E40-3251-05	PIN ASSY	
C611			CK73GB1H471K	CHIP C 470PF K		CN504			E40-5902-05	FLAT CABLE CONNECTOR	
C612			CK73GB1H472K	CHIP C 4700PF K		CN505			E40-3248-05	PIN ASSY	
C613			CK73GB1H103K	CHIP C 0.010UF K		CN506			E40-3250-05	PIN ASSY	
C614			CK73GB1H102K	CHIP C 1000PF K		L1,2			L33-0742-05	SMALL FIXED INDUCTOR	
C615,616			C92-0566-05	CHIP-TAN 10UF 6.3WV		L3,4			L92-0137-05	FERRITE CHIP	
C617			CK73GB1C104K	CHIP C 0.10UF K		L5-8			L40-1005-85	SMALL FIXED INDUCTOR (10U)	
C618			C92-0566-05	CHIP-TAN 10UF 6.3WV		L9			L92-0137-05	FERRITE CHIP	
C619			CK73GB1H103K	CHIP C 0.010UF K		L10,11			L33-0742-05	SMALL FIXED INDUCTOR	
C620			C92-0566-05	CHIP-TAN 10UF 6.3WV		L13			L40-1005-85	SMALL FIXED INDUCTOR (10U)	
C621			CK73GB1C104K	CHIP C 0.10UF K		L14			L33-0742-05	SMALL FIXED INDUCTOR	
C622,623			C92-0566-05	CHIP-TAN 10UF 6.3WV		L15-17			L40-1005-85	SMALL FIXED INDUCTOR (10U)	
C624			CK73GB1H103K	CHIP C 0.010UF K		L502			L33-0742-05	SMALL FIXED INDUCTOR	
C625			CK73GB1H102K	CHIP C 1000PF K		L504-508			L40-1005-85	SMALL FIXED INDUCTOR (10U)	
C626			CK73GB1H103K	CHIP C 0.010UF K		X1			L77-1680-05	CRYSTAL RESONATOR (11.0592MHZ)	
C627			CK73GB1H102K	CHIP C 1000PF K		X2			L78-0459-05	RESONATOR (4.19MHZ)	
C628,629			C92-0566-05	CHIP-TAN 10UF 6.3WV		X3			L77-1780-05	CRYSTAL RESONATOR (7.9872MHZ)	
C630			CK73GB1H103K	CHIP C 0.010UF K		X501,502			L77-1680-05	CRYSTAL RESONATOR (11.0592MHZ)	
C631			C92-0566-05	CHIP-TAN 10UF 6.3WV		X503			L77-1679-05	CRYSTAL RESONATOR (12.288MHZ)	
C632			CK73GB1C104K	CHIP C 0.10UF K							

K : TS-2000 (K) KX : TS-2000X (K)
E : TS-2000 (E) E2 : TS-2000 (E2)

PARTS LIST

CONTROL UNIT (X53-391X-XX)

Ref. No.	Address	New parts	Parts No.	Description	Destination	Ref. No.	Address	New parts	Parts No.	Description	Destination
CP1,2		*	RK75GB1J101J	CHIP-COM 100 J 1/16W		R161			RK73GB1J103J	CHIP R 10K J 1/16W	
CP3-16			RK75GB1J473J	CHIP-COM 47K J 1/16W		R162,163			RK73GB1J102J	CHIP R 1.0K J 1/16W	
CP18-33		*	RK75GB1J101J	CHIP-COM 100 J 1/16W		R164,165			RK73GB1J473J	CHIP R 47K J 1/16W	
CP501-503			RK75GB1J473J	CHIP-COM 47K J 1/16W		R186-188			RK73GB1J101J	CHIP R 100 J 1/16W	
CP504-508		*	RK75GB1J101J	CHIP-COM 100 J 1/16W		R200			R92-1252-05	CHIP R 0 OHM	
R1,2			RK73GB1J472J	CHIP R 4.7K J 1/16W		R201-204			RK73GB1J473J	CHIP R 47K J 1/16W	
R3			RK73GB1J103J	CHIP R 10K J 1/16W		R206,207			RK73GB1J473J	CHIP R 47K J 1/16W	
R5			RK73GB1J473J	CHIP R 47K J 1/16W		R209-211			RK73GB1J473J	CHIP R 47K J 1/16W	
R7			R92-0686-05	CHIP R 33 J 1/2W		R213			RK73GB1J104J	CHIP R 100K J 1/16W	
R9,10			RK73GB1J473J	CHIP R 47K J 1/16W		R214			RK73GB1J473J	CHIP R 47K J 1/16W	
R11,12			RK73GB1J102J	CHIP R 1.0K J 1/16W		R215			RK73GB1J104J	CHIP R 100K J 1/16W	
R13-17			RK73GB1J473J	CHIP R 47K J 1/16W		R216,217			RK73GB1J473J	CHIP R 47K J 1/16W	
R19-26			RK73GB1J473J	CHIP R 47K J 1/16W		R218			RK73GB1J474J	CHIP R 470K J 1/16W	
R28			RK73GB1J101J	CHIP R 100 J 1/16W		R219			RK73GB1J104J	CHIP R 100K J 1/16W	
R45			RK73GB1J473J	CHIP R 47K J 1/16W		R220			R92-1252-05	CHIP R 0 OHM	
R46			RK73GB1J105J	CHIP R 1.0M J 1/16W		R221,222			RK73GB1J473J	CHIP R 47K J 1/16W	
R47			R92-1252-05	CHIP R 0 OHM	E2	R223			RK73GB1J183J	CHIP R 18K J 1/16W	
R48			R92-1252-05	CHIP R 0 OHM	E	R224			RK73GB1J103J	CHIP R 10K J 1/16W	
R52-54			R92-1252-05	CHIP R 0 OHM	E,E2	R225			R92-1252-05	CHIP R 0 OHM	
R52,53			R92-1252-05	CHIP R 0 OHM	K,KX	R226			RK73GB1J222J	CHIP R 2.2K J 1/16W	
R55-58			RK73GB1J101J	CHIP R 100 J 1/16W		R501,502	*	R92-2685-05		METAL GLAZE RESISTOR	
R67			RK73GB1J101J	CHIP R 100 J 1/16W		R503,504	*	R92-2686-05		METAL GLAZE RESISTOR	
R100			RK73GB1J101J	CHIP R 100 J 1/16W		R505	*	R92-2685-05		METAL GLAZE RESISTOR	
R101			RK73GB1J471J	CHIP R 470 J 1/16W		R506,507	*	R92-2686-05		METAL GLAZE RESISTOR	
R114			RK73GB1J101J	CHIP R 100 J 1/16W		R508	*	R92-2685-05		METAL GLAZE RESISTOR	
R117			RK73GB1J101J	CHIP R 100 J 1/16W		R509,510	*	R92-2686-05		METAL GLAZE RESISTOR	
R120			RK73GB1J104J	CHIP R 100K J 1/16W		R511	*	R92-2685-05		METAL GLAZE RESISTOR	
R121,122			R92-1252-05	CHIP R 0 OHM		R512,513	*	R92-2686-05		METAL GLAZE RESISTOR	
R124			RK73GB1J103J	CHIP R 10K J 1/16W		R514-516	*	R92-2685-05		METAL GLAZE RESISTOR	
R125			RK73GB1J102J	CHIP R 1.0K J 1/16W		R517	*	R92-2686-05		METAL GLAZE RESISTOR	
R126			RK73GB1J103J	CHIP R 10K J 1/16W		R518	*	R92-2685-05		METAL GLAZE RESISTOR	
R127			RK73GB1J472J	CHIP R 4.7K J 1/16W		R519,520	*	R92-2686-05		METAL GLAZE RESISTOR	
R128			RK73GB1J103J	CHIP R 10K J 1/16W		R521	*	R92-2685-05		METAL GLAZE RESISTOR	
R129			R92-1252-05	CHIP R 0 OHM		R522,523	*	R92-2686-05		METAL GLAZE RESISTOR	
R130			RK73GB1J103J	CHIP R 10K J 1/16W		R524	*	R92-2685-05		METAL GLAZE RESISTOR	
R131			RK73GB1J104J	CHIP R 100K J 1/16W		R525,526	*	R92-2686-05		METAL GLAZE RESISTOR	
R132			RK73GB1J103J	CHIP R 10K J 1/16W		R527	*	R92-2685-05		METAL GLAZE RESISTOR	
R133,134			RK73GB1J332J	CHIP R 3.3K J 1/16W		R528	*	R92-2686-05		METAL GLAZE RESISTOR	
R135,136			RK73GB1J123J	CHIP R 12K J 1/16W		R529-531	*	R92-2685-05		METAL GLAZE RESISTOR	
R137			RK73GB1J393J	CHIP R 39K J 1/16W		R532	*	R92-2686-05		METAL GLAZE RESISTOR	
R138			RK73GB1J103J	CHIP R 10K J 1/16W		R533-536			RK73GB1J473J	CHIP R 47K J 1/16W	
R139			RK73GB1J222J	CHIP R 2.2K J 1/16W		R537			R92-1252-05	CHIP R 0 OHM	
R140			RK73GB1J823J	CHIP R 82K J 1/16W		R538-540			RK73GB1J103J	CHIP R 10K J 1/16W	
R141			RK73GB1J103J	CHIP R 10K J 1/16W		R541-550			R92-1252-05	CHIP R 0 OHM	
R142,143			RK73GB1J123J	CHIP R 12K J 1/16W		R552,553			RK73GB1J103J	CHIP R 10K J 1/16W	
R144			RK73GB1J103J	CHIP R 10K J 1/16W		R554,555			RK73GB1J101J	CHIP R 100 J 1/16W	
R145			RK73GB1J123J	CHIP R 12K J 1/16W		R557			R92-1252-05	CHIP R 0 OHM	
R146			RK73GB1J473J	CHIP R 47K J 1/16W		R558			RK73GB1J101J	CHIP R 100 J 1/16W	
R147			RK73GB1J683J	CHIP R 68K J 1/16W		R559-561			RK73GB1J103J	CHIP R 10K J 1/16W	
R148			RK73GB1J332J	CHIP R 3.3K J 1/16W		R563			RK73GB1J103J	CHIP R 10K J 1/16W	
R149			RK73GB1J104J	CHIP R 100K J 1/16W		R565,566			RK73GB1J472J	CHIP R 4.7K J 1/16W	
R150			RK73GB1J103J	CHIP R 10K J 1/16W		R567			RK73GB1J474J	CHIP R 470K J 1/16W	
R151			RK73GB1J104J	CHIP R 100K J 1/16W		R568			RK73GB1J473J	CHIP R 47K J 1/16W	
R152,153			RK73GB1J223J	CHIP R 22K J 1/16W		R570,571			RK73GB1J103J	CHIP R 10K J 1/16W	
R154			RK73GB1J102J	CHIP R 1.0K J 1/16W		R572,573			RK73GB1J101J	CHIP R 100 J 1/16W	
R155			RK73GB1J272J	CHIP R 2.7K J 1/16W		R575			R92-1252-05	CHIP R 0 OHM	
R157			RK73GB1J104J	CHIP R 100K J 1/16W		R576			RK73GB1J101J	CHIP R 100 J 1/16W	
R158			RK73GB1J563J	CHIP R 56K J 1/16W		R577-581			RK73GB1J103J	CHIP R 10K J 1/16W	
R159			RK73GB1J272J	CHIP R 2.7K J 1/16W		R582,583			RK73GB1J472J	CHIP R 4.7K J 1/16W	
R160			RK73GB1J102J	CHIP R 1.0K J 1/16W		R584			RK73GB1J474J	CHIP R 470K J 1/16W	

PARTS LIST

CONTROL UNIT (X53-391X-XX)

Ref. No.	Address	New parts	Parts No.	Description	Destination	Ref. No.	Address	New parts	Parts No.	Description	Destination
R585,586			RK73GB1J104J	CHIP R 100K J 1/16W		R712			RK73GB1J104J	CHIP R 100K J 1/16W	
R588,589			RK73GB1J103J	CHIP R 10K J 1/16W		R714-716			RK73GB1J470J	CHIP R 47 J 1/16W	
R590,591			RK73GB1J100J	CHIP R 10 J 1/16W		R717			R92-1252-05	CHIP R 0 OHM	
R592			RK73GB1J103J	CHIP R 10K J 1/16W		R718,719			RK73GB1J473J	CHIP R 47K J 1/16W	
R593			RK73GB1J100J	CHIP R 10 J 1/16W		R720,721			RK73GB1J104J	CHIP R 100K J 1/16W	
R594,595			RK73GB1J103J	CHIP R 10K J 1/16W		R722,723			R92-1252-05	CHIP R 0 OHM	
R596			RK73GB1J562J	CHIP R 5.6K J 1/16W		R725			R92-1252-05	CHIP R 0 OHM	
R597			RK73GB1J103J	CHIP R 10K J 1/16W		R731			R92-1252-05	CHIP R 0 OHM	
R598			RK73GB1J562J	CHIP R 5.6K J 1/16W		R736			R92-1252-05	CHIP R 0 OHM	
R599			RK73GB1J103J	CHIP R 10K J 1/16W		R738			RK73GB1J561J	CHIP R 560 J 1/16W	
R600,601			RK73GB1J472J	CHIP R 4.7K J 1/16W		R739			RK73GB1J224J	CHIP R 220K J 1/16W	
R602			RK73GB1J104J	CHIP R 100K J 1/16W		R740			R92-0699-05	CHIP R 10 J 1/2W	
R603			RK73GB1J221J	CHIP R 220 J 1/16W		R741			RK73GB1J104J	CHIP R 100K J 1/16W	
R604			RK73GB1J103J	CHIP R 10K J 1/16W		R742,743			RK73GB1J473J	CHIP R 47K J 1/16W	
R605			RK73GB1J104J	CHIP R 100K J 1/16W		R745-747			R92-0670-05	CHIP R 0 OHM	
R606			RK73GB1J332J	CHIP R 3.3K J 1/16W		D5			RLS245	DIODE	
R607,608			RK73GB1J472J	CHIP R 4.7K J 1/16W		D6			MA729	DIODE	
R610			RK73GB1J331J	CHIP R 330 J 1/16W		D11			DAN202U	DIODE	
R611,612			RK73GB1J472J	CHIP R 4.7K J 1/16W		D12			MA2S111	DIODE	
R613,614			RK73GB1J223J	CHIP R 22K J 1/16W		D13	*		02DZ8.2(Y)	ZENER DIODE	
R616			RK73GB1J223J	CHIP R 22K J 1/16W		D14-17			MA2S111	DIODE	
R618			RK73GB1J331J	CHIP R 330 J 1/16W		D501-504			DAN202U	DIODE	
R619			RK73GB1J332J	CHIP R 3.3K J 1/16W		IC1			M62003FP	IC	
R620,621			RK73GB1J472J	CHIP R 4.7K J 1/16W		IC2,3			TA7805F	IC	
R623,624			RK73GB1J472J	CHIP R 4.7K J 1/16W		IC4	*		XC62FP3302P	IC	
R625-630			RK73GB1J223J	CHIP R 22K J 1/16W		IC5			TC74HC4053AFT	IC	
R631			RK73GB1J561J	CHIP R 560 J 1/16W		IC6			TC74HC4052AFT	IC	
R632-635			RK73GB1J472J	CHIP R 4.7K J 1/16W		IC7			AT25128N10SI27	IC	
R636,637			RK73GB1J223J	CHIP R 22K J 1/16W		IC8	*		64F2633JXUB	IC	
R638			RK73GB1J561J	CHIP R 560 J 1/16W		IC9-11			TC74LVX4245FS	IC	
R639,640			RK73GB1J223J	CHIP R 22K J 1/16W		IC12			LC73881M	IC	
R641			RK73GB1J103J	CHIP R 10K J 1/16W		IC13			TC74VHC08FT	IC	
R642			RK73GB1J223J	CHIP R 22K J 1/16W		IC14	*		TC74VHC32FT	IC	
R643			RK73GB1J221J	CHIP R 220 J 1/16W		IC15	*		TC74VHC04FT	IC	
R644,645			RK73GB1J472J	CHIP R 4.7K J 1/16W		IC16-18			TC74VHC08FT	IC	
R646			RK73GB1J103J	CHIP R 10K J 1/16W		IC19-25			TC74VHC573FT	IC	
R647			RK73GB1J223J	CHIP R 22K J 1/16W		IC26			TMT0111Q	IC	
R648			RK73GB1J221J	CHIP R 220 J 1/16W		IC27			TA75W393FU	IC	
R649,650			RK73GB1J223J	CHIP R 22K J 1/16W		IC28			TGT0210Q	IC	
R651			RK73GB1J472J	CHIP R 4.7K J 1/16W		IC29			TA75W01FU	IC	
R652,653			RK73GB1J223J	CHIP R 22K J 1/16W		IC30			TA75S393F	IC	
R654-659			RK73GB1J472J	CHIP R 4.7K J 1/16W		IC31			TC7SH08FU	IC	
R660,661			RK73GB1J223J	CHIP R 22K J 1/16W		IC32,33			PST9130NR	IC	
R662			RK73GB1J472J	CHIP R 4.7K J 1/16W		IC501			TA48M033F	IC	
R663			RK73GB1J223J	CHIP R 22K J 1/16W		IC502,503			XC62FP1802P	IC	
R664			RK73GB1J103J	CHIP R 10K J 1/16W		IC504	*		29LV800BAJXS BK	IC	
R665			RK73GB1J472J	CHIP R 4.7K J 1/16W		IC504	*		29LV800BJWGBK	IC	
R666,667			RK73GB1J223J	CHIP R 2.2K J 1/16W		IC505,506			TC74VHC573FT	IC	
R668			RK73GB1J223J	CHIP R 22K J 1/16W		IC507	*		TC74VHC02FT	IC	
R669,670			RK73GB1J334J	CHIP R 330K J 1/16W		IC508	*		29LV800BAJXQBK	IC	
R671			RK73GB1J223J	CHIP R 22K J 1/16W		IC508	*		29LV800BJWFBK	IC	
R672,673			RK73GB1J102J	CHIP R 1.0K J 1/16W		IC509			TC74VHC32FT	IC	
R674			RK73GB1J472J	CHIP R 4.7K J 1/16W		IC510			TC7WU04FU	IC	
R686-688			R92-1252-05	CHIP R 0 OHM		IC511			TC74VHC08FT	IC	
R693-699			R92-1252-05	CHIP R 0 OHM		IC512			TC74VHC573FT	IC	
R700			RK73GB1J473J	CHIP R 47K J 1/16W		IC513	*		TC74VHC32FT	IC	
R701			RK73GB1J154J	CHIP R 150K J 1/16W		IC514			TC74VHC573FT	IC	
R702			RK73GB1J103J	CHIP R 10K J 1/16W		IC515,516	*		320VC5402PGE	IC	
R703-706			RK73GB1J472J	CHIP R 4.7K J 1/16W		IC517			NJM2904V	IC	
R707-710			RK73GB1J104J	CHIP R 100K J 1/16W		IC518	*		AK4524	IC	

K : TS-2000 (K) KX : TS-2000X (K)
 E : TS-2000 (E) E2 : TS-2000 (E2)

PARTS LIST

CONTROL UNIT (X53-391X-XX)

DISPLAY UNIT (X54-3320-00)

TX-RX 1 UNIT (X57-605X-XX)

Ref. No.	Address	New parts	Parts No.	Description	Destination
IC519			TC7W74FU	IC	
IC520			TC7WU04FU	IC	
IC521		*	TC74VHC4040FT	IC	
IC522,523		*	AK4518	IC	
IC524-529			NJM2100V	IC	
IC530			BU2099FV	IC	
IC531-534			BU4066BCFV	IC	
IC535			NJM2100V	IC	
Q1			DTC143EUA	DIGITAL TRANSISTOR	
Q2			DTA143EUA	DIGITAL TRANSISTOR	
Q3			DTC143EUA	DIGITAL TRANSISTOR	
Q4			DTA143EUA	DIGITAL TRANSISTOR	
Q5			DTC143EUA	DIGITAL TRANSISTOR	
Q9,10			DTC114EUA	DIGITAL TRANSISTOR	
Q13,14			2SC4617(R)	TRANSISTOR	
Q15			2SA1774(R)	TRANSISTOR	
Q16			2SC4617(R)	TRANSISTOR	
Q17			DTC143TUA	DIGITAL TRANSISTOR	
Q18			DTA143EUA	DIGITAL TRANSISTOR	
Q19			2SA1774(R)	TRANSISTOR	
Q20			DTA143EUA	DIGITAL TRANSISTOR	
Q501			DTC144EUA	DIGITAL TRANSISTOR	

DISPLAY UNIT (X54-3320-00)					
Ref. No.	Address	New parts	Parts No.	Description	Destination
201	1E	*	B11-1245-02	ILLUMINATION GUIDE	
202	1E	*	B11-1246-13	FILTER	
203	2E	*	B11-1257-03	FILTER	
204	1E	*	B30-2221-05	LAMP (5.5V/125MA/)	
205	2E	*	B38-0837-05	LCD	
D1,2		*	B30-2217-05	LED (Y)	
D3-9		*	B30-2167-05	LED (GR)	
C1,2			CK73GB1H103K	CHIP C 0.010UF K	
C3-9			CK73FB1E104K	CHIP C 0.10UF K	
C10			CK73GB1H103K	CHIP C 0.010UF K	
C11			CK73FB1E104K	CHIP C 0.10UF K	
C12			C92-0041-05	CHIP-ELE 10UF 10WV	
C13			CK73GB1H103K	CHIP C 0.010UF K	
C15-23			CK73GB1H102K	CHIP C 1000PF K	
C25-32			CK73GB1H102K	CHIP C 1000PF K	
C33			C92-0038-05	CHIP-ELE 22UF 16WV	
C34			C92-0041-05	CHIP-ELE 10UF 10WV	
C35			CK73FB1E223K	CHIP C 0.022UF K	
C36			CK73GB1H103K	CHIP C 0.010UF K	
207	2E	*	E29-1186-04	INTER CONNECTOR	
208	2E	*	E29-1187-04	INTER CONNECTOR	
CN1			E40-5736-05	FLAT CABLE CONNECTOR	
211	2E	*	G11-4043-04	SHEET	
212	2E	*	J21-8397-03	HARDWARE FIXTURE	
L3,4			L40-1095-48	SMALL FIXED INDUCTOR (1UH/8)	
R1,2			RK73GB1J154J	CHIP R 150K J 1/16W	
R3			RK73FB2A105J	CHIP R 1.0M J 1/10W	
R4			RK73FB2A684J	CHIP R 680K J 1/10W	
R5			RK73FB2A100J	CHIP R 10 J 1/10W	
R6-21			RK73GB1J101J	CHIP R 100 J 1/16W	

TX-RX 1 UNIT (X57-605X-XX) 0-11 : K,KX 2-71 : E,E2					
Ref. No.	Address	New parts	Parts No.	Description	Destination
R23			RK73GB1J101J	CHIP R 100 J 1/16W	
R27			RK73FB2A681J	CHIP R 680 J 1/10W	
R29			RK73FB2A681J	CHIP R 680 J 1/10W	
R31			RK73FB2A560J	CHIP R 56 J 1/10W	
R32			RK73FB2A221J	CHIP R 220 J 1/10W	
R35			RK73FB2A222J	CHIP R 2.2K J 1/10W	
R36			RK73FB2A102J	CHIP R 1.0K J 1/10W	
R37			RK73FB2A392J	CHIP R 3.9K J 1/10W	
R38			RK73FB2A682J	CHIP R 6.8K J 1/10W	
R39			RK73FB2A152J	CHIP R 1.5K J 1/10W	
R40			RK73FB2A272J	CHIP R 2.7K J 1/10W	
R41-43			R92-1211-05	CHIP R 5.6 J 1/2W	
VR1		*	R32-0676-05	SEMI FIXED VARIABLE RESISTOR	
S1-12		*	S70-0475-05	TACT SWITCH	
IC1,2			NJU6433F	IC	
IC3		*	SED1526F0A	IC	
IC4			BU2099FV	IC	
Q1			2SA1641(S,T)	TRANSISTOR	
Q2			2SC2712(Y)	TRANSISTOR	
Q3			2SA1162(Y)	TRANSISTOR	
D86			B30-2001-05	LED (RED)	
D105			B30-2001-05	LED (RED)	
D801			B30-2138-05	LED (SR)	
D802			B30-2139-05	LED (G)	
D803			B30-2138-05	LED (SR)	
D804			B30-2139-05	LED (G)	
D810-824		*	B30-2167-05	LED (GR)	
D825			B30-2146-05	LED (OR)	
D826-834		*	B30-2167-05	LED (GR)	
D953,954		*	B30-2217-05	LED (Y)	
D955		*	B30-2167-05	LED (GR)	
D956		*	B30-2218-05	LED (OR)	
D957			B30-2140-05	LED (Y)	
C1,2			CK73GB1H103K	CHIP C 0.010UF K	
C3			CC73GCH1H470J	CHIP C 47PF J	
C4			CC73GCH1H070D	CHIP C 7.0PF D	
C5			CC73GCH1H470J	CHIP C 47PF J	
C6			CK73EB1H104K	CHIP C 0.10UF K	
C7,8			CK73GB1H103K	CHIP C 0.010UF K	
C9			CK73GB1H222K	CHIP C 2200PF K	
C10			CK73FB1E104K	CHIP C 0.10UF K	
C11			CK73FB1C105K	CHIP C 1.0UF K	
C12			CE04EW1E4R7M	ELECTRO 4.7UF 25WV	
C13			CK73FB1E104K	CHIP C 0.10UF K	
C14			CK73GB1H103K	CHIP C 0.010UF K	
C15			CK73GB1H472K	CHIP C 4700PF K	
C16			CK73GB1H222K	CHIP C 2200PF K	
C17			CK73FB1E104K	CHIP C 0.10UF K	
C18			CK73GB1H103K	CHIP C 0.010UF K	
C19			CK73FB1C105K	CHIP C 1.0UF K	
C20			CK73FB1E104K	CHIP C 0.10UF K	
C21			CK73GB1H152K	CHIP C 1500PF K	
C22			CK73GB1H472K	CHIP C 4700PF K	

PARTS LIST

TX-RX 1 UNIT (X57-605X-XX)

Ref. No.	Address	New parts	Parts No.	Description	Destination	Ref. No.	Address	New parts	Parts No.	Description	Destination
C23			CK73GB1H152K	CHIP C 1500PF K		C94			CC73GCH1H120J	CHIP C 12PF J	
C24,25			CK73GB1H103K	CHIP C 0.010UF K		C95			CK73FB1E104K	CHIP C 0.10UF K	
C26			CK73GB1H392K	CHIP C 3900PF K		C96			CK73GB1H102K	CHIP C 1000PF K	
C27			CK73FB1E104K	CHIP C 0.10UF K		C97			CC73GCH1H330J	CHIP C 33PF J	
C28-30			CK73GB1H102K	CHIP C 1000PF K		C98			CK73GB1H102K	CHIP C 1000PF K	
C31			CK73GB1H332K	CHIP C 3300PF K		C99			CK73FB1E104K	CHIP C 0.10UF K	
C32			CK73FB1E104K	CHIP C 0.10UF K		C100			CC73GCH1H560J	CHIP C 56PF J	
C33			CK73GB1H222K	CHIP C 2200PF K		C101			CC73GCH1H150J	CHIP C 15PF J	
C34			CK73FB1E104K	CHIP C 0.10UF K		C102			CK73FB1E104K	CHIP C 0.10UF K	
C35			CK73GB1H102K	CHIP C 1000PF K		C103			CC73GCH1H820J	CHIP C 82PF J	
C36			CK73GB1H561K	CHIP C 560PF K		C104			CK73GB1H102K	CHIP C 1000PF K	
C37			CK73GB1H102K	CHIP C 1000PF K		C105			CC73GCH1H390J	CHIP C 39PF J	
C38			CK73GB1H222K	CHIP C 2200PF K		C106			CC73GCH1H330J	CHIP C 33PF J	
C39			CK73FB1E104K	CHIP C 0.10UF K		C107			CK73GB1H103K	CHIP C 0.010UF K	
C40			CK73GB1H102K	CHIP C 1000PF K		C108-111			CK73FB1E104K	CHIP C 0.10UF K	
C41			CK73FB1E104K	CHIP C 0.10UF K		C112			CK73GB1H471K	CHIP C 470PF K	
C42			CK73GB1H102K	CHIP C 1000PF K		C113			CC73GCH1H010B	CHIP C 1.0PF B	
C43			CC73GCH1H271J	CHIP C 270PF J		C114			CK73GB1H103K	CHIP C 0.010UF K	
C44,45			CK73GB1H102K	CHIP C 1000PF K		C115			CK73GB1C104K	CHIP C 0.10UF K	
C46,47			CK73FB1E104K	CHIP C 0.10UF K		C116			CC73GCH1H180J	CHIP C 18PF J	
C48			CK73GB1H102K	CHIP C 1000PF K		C117			CK73GB1H103K	CHIP C 0.010UF K	
C49,50			CC73GCH1H100D	CHIP C 10PF D		C118			CC73GCH1H020B	CHIP C 2.0PF B	
C51			CK73GB1H102K	CHIP C 1000PF K		C119			CK73GB1H103K	CHIP C 0.010UF K	
C52			CK73FB1E104K	CHIP C 0.10UF K		C121			CK73FB1C105K	CHIP C 1.0UF K	
C53			CK73GB1H102K	CHIP C 1000PF K		C123			CK73GB1C104K	CHIP C 0.10UF K	
C54			CK73FB1E104K	CHIP C 0.10UF K		C124			CK73GB1H103K	CHIP C 0.010UF K	
C55			CK73GB1H102K	CHIP C 1000PF K		C125,126			CK73GB1C104K	CHIP C 0.10UF K	
C56			CC73GCH1H121J	CHIP C 120PF J		C127			CK73FB1C105K	CHIP C 1.0UF K	
C57,58			CK73GB1H102K	CHIP C 1000PF K		C129,130			CK73GB1H103K	CHIP C 0.010UF K	
C59			CK73FB1E104K	CHIP C 0.10UF K		C131			CC73GCH1H270J	CHIP C 27PF J	
C60			CK73GB1H102K	CHIP C 1000PF K		C132			CK73GB1H103K	CHIP C 0.010UF K	
C61			CK73FB1E104K	CHIP C 0.10UF K		C133			CK73GB1H471K	CHIP C 470PF K	
C62			CK73GB1H102K	CHIP C 1000PF K		C134			CK73FB1E104K	CHIP C 0.10UF K	
C63			CC73GCH1H820J	CHIP C 82PF J		C135,136			CK73GB1H103K	CHIP C 0.010UF K	
C64,65			CK73GB1H102K	CHIP C 1000PF K		C137			CK73GB1H471K	CHIP C 470PF K	
C66,67			CK73FB1E104K	CHIP C 0.10UF K		C138,139			CK73GB1H103K	CHIP C 0.010UF K	
C68			CK73GB1H102K	CHIP C 1000PF K		C140			CC73GCH1H060D	CHIP C 6.0PF D	
C69,70			CC73GCH1H040C	CHIP C 4.0PF C		C141			CC73GCH1H020B	CHIP C 2.0PF B	
C71			CK73GB1H102K	CHIP C 1000PF K		C143,144			CK73GB1H103K	CHIP C 0.010UF K	
C72			CK73FB1E104K	CHIP C 0.10UF K		C145			CC73GCH1H030C	CHIP C 3.0PF C	
C73			CK73GB1H391K	CHIP C 390PF K		C146,147			CC73GCH1H020B	CHIP C 2.0PF B	
C74			CK73FB1E104K	CHIP C 0.10UF K		C148			CK73GB1H103K	CHIP C 0.010UF K	
C75			CK73GB1H102K	CHIP C 1000PF K		C149			CC73GCH1H101J	CHIP C 100PF J	
C76			CC73GCH1H560J	CHIP C 56PF J		C150			CK73GB1H102K	CHIP C 1000PF K	
C77			CK73GB1H102K	CHIP C 1000PF K		C151			CC73GCH1H010B	CHIP C 1.0PF B	
C78			CK73GB1H471K	CHIP C 470PF K		C152-154			CK73GB1H103K	CHIP C 0.010UF K	
C79			CK73FB1E104K	CHIP C 0.10UF K		C156			CK73GB1H103K	CHIP C 0.010UF K	
C80			CC73GCH1H151J	CHIP C 150PF J		C158-164			CK73GB1H103K	CHIP C 0.010UF K	
C81			CK73FB1E104K	CHIP C 0.10UF K		C165			CC73GCH1H020B	CHIP C 2.0PF B	
C82			CK73GB1H102K	CHIP C 1000PF K		C166			CK73GB1H103K	CHIP C 0.010UF K	
C83			CC73GCH1H390J	CHIP C 39PF J		C167			CC73GCH1H100D	CHIP C 10PF D	
C84			CK73GB1H102K	CHIP C 1000PF K		C168,169			CK73GB1H103K	CHIP C 0.010UF K	
C85			CC73GCH1H181J	CHIP C 180PF J		C172-177			CK73GB1H103K	CHIP C 0.010UF K	
C86			CK73FB1E104K	CHIP C 0.10UF K		C178			CC73GCH1H100D	CHIP C 10PF D	
C87			CC73GCH1H220J	CHIP C 22PF J		C179			CC73GCH1H060D	CHIP C 6.0PF D	
C88			CK73FB1E104K	CHIP C 0.10UF K		C180			CK73GB1H103K	CHIP C 0.010UF K	
C89			CK73GB1H102K	CHIP C 1000PF K		C181			CC73GCH1H100D	CHIP C 10PF D	
C90			CC73GCH1H470J	CHIP C 47PF J		C182,183			CK73GB1H103K	CHIP C 0.010UF K	
C91			CK73GB1H102K	CHIP C 1000PF K		C184			CC73GCH1H120J	CHIP C 12PF J	
C93			CK73FB1E104K	CHIP C 0.10UF K		C185,186			CK73GB1H103K	CHIP C 0.010UF K	

K : TS-2000 (K) KX : TS-2000X (K)
E : TS-2000 (E) E2 : TS-2000 (E2)

PARTS LIST

TX-RX 1 UNIT (X57-605X-XX)

Ref. No.	Address	New parts	Parts No.	Description	Destination	Ref. No.	Address	New parts	Parts No.	Description	Destination
C187			CC73GCH1H120J	CHIP C 12PF J		C295-298			CK73GB1C104K	CHIP C 0.10UF K	
C190			CC73GCH1H080D	CHIP C 8.0PF D		C299-301			CK73GB1H103K	CHIP C 0.010UF K	
C191			CC73GCH1H200J	CHIP C 20PF J		C302			CC73GCH1H150J	CHIP C 15PF J	
C192			CK73GB1H103K	CHIP C 0.010UF K		C303			CK73GB1H471K	CHIP C 470PF K	
C193			CC73GCH1H080D	CHIP C 8.0PF D		C304			CK73GB1H103K	CHIP C 0.010UF K	
C196			CK73GB1H103K	CHIP C 0.010UF K		C305			CK73GB1H471K	CHIP C 470PF K	
C197			CE04EW1C100M	ELECTRO 10UF 16WV		C306,307			CK73GB1H103K	CHIP C 0.010UF K	
C198-201			CK73GB1H103K	CHIP C 0.010UF K		C308			CC73GCH1H010B	CHIP C 1.0PF B	
C202			CC73GCH1H100D	CHIP C 10PF D		C309			CK73GB1H103K	CHIP C 0.010UF K	
C203			CC73GCH1H040C	CHIP C 4.0PF C		C310			CC73GCH1H180J	CHIP C 18PF J	
C204			C92-0628-05	CHIP-TAN 10UF 10WV		C311			CC73GCH1H0R5B	CHIP C 0.5PF B	
C205			CC73GCH1H100D	CHIP C 10PF D		C312			CK73GB1C104K	CHIP C 0.10UF K	
C206-211			CK73GB1H103K	CHIP C 0.010UF K		C313			CC73GCH1H180J	CHIP C 18PF J	
C213,214			CK73GB1H103K	CHIP C 0.010UF K		C314			CC73GCH1H020B	CHIP C 2.0PF B	
C216			C92-0003-05	CHIP-TAN 0.47UF 25WV		C315			CK73GB1H103K	CHIP C 0.010UF K	
C217,218			CK73GB1H103K	CHIP C 0.010UF K		C316			CC73GCH1H270J	CHIP C 27PF J	
C219			C92-0003-05	CHIP-TAN 0.47UF 25WV		C317-320			CK73GB1H103K	CHIP C 0.010UF K	
C221,222			CK73GB1H103K	CHIP C 0.010UF K		C321			CC73GCH1H150J	CHIP C 15PF J	
C223			CK73GB1H102K	CHIP C 1000PF K		C322,323			CK73GB1H103K	CHIP C 0.010UF K	
C224			CC73GCH1H100D	CHIP C 10PF D		C324			CK73GB1H332K	CHIP C 3300PF K	
C225			CK73GB1H103K	CHIP C 0.010UF K		C327-337			CK73GB1H103K	CHIP C 0.010UF K	
C227,228			CK73GB1H103K	CHIP C 0.010UF K		C338			CK73FB1C105K	CHIP C 1.0UF K	
C229			C92-0004-05	CHIP-TAN 1.0UF 16WV		C339-342			CK73GB1H103K	CHIP C 0.010UF K	
C230			CE04EW1C101M	ELECTRO 100UF 16WV		C343			CK73GB1C104K	CHIP C 0.10UF K	
C233			CC73GCH1H270J	CHIP C 27PF J		C344-346			CK73GB1H103K	CHIP C 0.010UF K	
C234,235			CK73GB1H103K	CHIP C 0.010UF K		C347			CK73FB1C474K	CHIP C 0.47UF K	
C236			CK73GB1H102K	CHIP C 1000PF K		C348			CK73GB1H471K	CHIP C 470PF K	
C237,238			CK73GB1C104K	CHIP C 0.10UF K		C349			CK73GB1C273K	CHIP C 0.027UF K	
C239			CC73GCH1H271J	CHIP C 270PF J		C350			CK73GB1H103K	CHIP C 0.010UF K	
C241			CK73GB1C104K	CHIP C 0.10UF K		C351			CK73FB1E104K	CHIP C 0.10UF K	
C242			CK73GB1H472K	CHIP C 4700PF K		C352			CK73GB1C473K	CHIP C 0.047UF K	
C243			CK73GB1C104K	CHIP C 0.10UF K		C353-358			CK73GB1H103K	CHIP C 0.010UF K	
C244			CK73FB1C105K	CHIP C 1.0UF K		C359			CC73GCH1H010B	CHIP C 1.0PF B	
C245			CK73GB1C104K	CHIP C 0.10UF K		C361-363			CK73GB1H103K	CHIP C 0.010UF K	
C246-250			CK73FB1C105K	CHIP C 1.0UF K		C364			CE04EW1C100M	ELECTRO 10UF 16WV	
C251			CK73GB1C104K	CHIP C 0.10UF K		C365-369			CK73GB1H103K	CHIP C 0.010UF K	
C252			CK73GB1C473K	CHIP C 0.047UF K		C370			CC73GCH1H100D	CHIP C 10PF D	
C254			CK73GB1E223K	CHIP C 0.022UF K		C373			C92-0606-05	CHIP-TAN 4.7UF 10WV	
C258			CE04EW1C100M	ELECTRO 10UF 16WV		C374			CK73FB1C105K	CHIP C 1.0UF K	
C259-262			CK73GB1C104K	CHIP C 0.10UF K		C375-378			CK73GB1H103K	CHIP C 0.010UF K	
C263			CK73GB1H103K	CHIP C 0.010UF K		C379			CC73GCH1H030C	CHIP C 3.0PF C	
C264-269			CK73GB1C104K	CHIP C 0.10UF K		C380			CK73GB1H103K	CHIP C 0.010UF K	
C270			CC73GCH1H101J	CHIP C 100PF J		C381,382			CC73GCH1H221J	CHIP C 220PF J	
C271			CK73GB1C104K	CHIP C 0.10UF K		C383			CC73GUJ1H070D	CHIP C 7.0PF D	
C272			CC73GCH1H331J	CHIP C 330PF J		C384			CC73GUJ1H030C	CHIP C 3.0PF C	
C273,274			CK73GB1C104K	CHIP C 0.10UF K		C385			CK73FB1C105K	CHIP C 1.0UF K	
C275			CC73GCH1H271J	CHIP C 270PF J		C386			CK73GB1H103K	CHIP C 0.010UF K	
C276-278			CK73GB1C104K	CHIP C 0.10UF K		C388			C92-0628-05	CHIP-TAN 10UF 10WV	
C279			CK73GB1H103K	CHIP C 0.010UF K		C389			CK73GB1E223K	CHIP C 0.022UF K	
C281			CK73FB1C105K	CHIP C 1.0UF K		C390,391			CK73FB1C105K	CHIP C 1.0UF K	
C282			CC73GCH1H101J	CHIP C 100PF J		C393			CK73FB1C105K	CHIP C 1.0UF K	
C283			CE04EW1C100M	ELECTRO 10UF 16WV		C394			C92-0606-05	CHIP-TAN 4.7UF 10WV	
C284			CK73GB1H103K	CHIP C 0.010UF K		C395			CK73GB1H103K	CHIP C 0.010UF K	
C286			CK73FB1C105K	CHIP C 1.0UF K		C396			CE04EW1C101M	ELECTRO 100UF 16WV	
C287,288			CK73GB1C104K	CHIP C 0.10UF K		C397,398			CE04EW1C470M	ELECTRO 47UF 16WV	
C289			CK73GB1H103K	CHIP C 0.010UF K		C399			CE04EW1C471M	ELECTRO 470UF 16WV	
C290			CK73GB1C104K	CHIP C 0.10UF K		C400			CE04EW1C331M	ELECTRO 330UF 16WV	
C291			CK73FB1E104K	CHIP C 0.10UF K		C401			CE04EW1C471M	ELECTRO 470UF 16WV	
C292			CC73GCH1H390J	CHIP C 39PF J		C402			CK73FB1E104K	CHIP C 0.10UF K	
C293,294			CK73GB1H103K	CHIP C 0.010UF K		C403			CE04EW1C470M	ELECTRO 47UF 16WV	

PARTS LIST

TX-RX 1 UNIT (X57-605X-XX)

Ref. No.	Address	New parts	Parts No.	Description	Destination	Ref. No.	Address	New parts	Parts No.	Description	Destination
C404			CK73FB1E104K	CHIP C 0.10UF K		C509			CE04EW1C220M	ELECTRO 22UF 16WV	
C405			CE04EW1C470M	ELECTRO 47UF 16WV		C510,511			CK73GB1H102K	CHIP C 1000PF K	
C406			CK73GB1H103K	CHIP C 0.010UF K		C512			CE04EW1C220M	ELECTRO 22UF 16WV	
C407,408			CE04EW1C100M	ELECTRO 10UF 16WV		C513,514			CK73GB1H102K	CHIP C 1000PF K	
C409			CK73FB1C105K	CHIP C 1.0UF K		C515			CE04EW1C220M	ELECTRO 22UF 16WV	
C410-413			CK73FB1E104K	CHIP C 0.10UF K		C516			CK73GB1H102K	CHIP C 1000PF K	
C417			CK73GB1H102K	CHIP C 1000PF K		C517-520			CK73FB1E104K	CHIP C 0.10UF K	
C418			CK73GB1H471K	CHIP C 470PF K		C521			CK73GB1H102K	CHIP C 1000PF K	
C419			CK73GB1H102K	CHIP C 1000PF K		C522			CE04EW1C101M	ELECTRO 100UF 16WV	
C420			C92-0004-05	CHIP-TAN 1.0UF 16WV		C523-525			C92-0606-05	CHIP-TAN 4.7UF 10WV	
C421			CK73GB1H102K	CHIP C 1000PF K		C526-528			CK73FB1C105K	CHIP C 1.0UF K	
C422,423			CK73GB1H471K	CHIP C 470PF K		C529-531			C92-0606-05	CHIP-TAN 4.7UF 10WV	
C424			CK73GB1H102K	CHIP C 1000PF K		C532-537			CK73GB1H102K	CHIP C 1000PF K	
C425			CK73FB1E104K	CHIP C 0.10UF K		C538,539			CK73GB1H103K	CHIP C 0.010UF K	
C426			CK73GB1H222K	CHIP C 2200PF K		C547			CK73GB1H103K	CHIP C 0.010UF K	
C427			CK73GB1H332K	CHIP C 3300PF K		C553			CE04EW1C221M	ELECTRO 220UF 16WV	
C428			CE04EW1C470M	ELECTRO 47UF 16WV		C556			CK73FB1C105K	CHIP C 1.0UF K	
C429			CK73GB1H103K	CHIP C 0.010UF K		C601			CK73GB1C473K	CHIP C 0.047UF K	
C430,431			CE04EW1C470M	ELECTRO 47UF 16WV		C602			CE04EW1C100M	ELECTRO 10UF 16WV	
C432,433			CK73GB1H103K	CHIP C 0.010UF K		C603			CK73GB1C473K	CHIP C 0.047UF K	
C434-436			CK73GB1H102K	CHIP C 1000PF K		C604			CK73GB1H472K	CHIP C 4700PF K	
C437			CK73GB1H103K	CHIP C 0.010UF K		C605-607			CK73GB1H103K	CHIP C 0.010UF K	
C438			CK45FE2H222P	CERAMIC 2200PF P		C608			CE04EW1C100M	ELECTRO 10UF 16WV	
C439,440			CK73GB1H103K	CHIP C 0.010UF K		C609			CK73GB1H472K	CHIP C 4700PF K	
C441-444			CK73GB1H102K	CHIP C 1000PF K		C610-613			CK73GB1C473K	CHIP C 0.047UF K	
C449-452			CK73FB1C105K	CHIP C 1.0UF K		C614			CK73GB1H102K	CHIP C 1000PF K	
C453			CK73GB1H103K	CHIP C 0.010UF K		C615			CK73GB1H182K	CHIP C 1800PF K	
C454			CK73FB1C105K	CHIP C 1.0UF K		C616			CK73GB1H102K	CHIP C 1000PF K	
C455			CK73GB1H102K	CHIP C 1000PF K		C617			CE04EW1C100M	ELECTRO 10UF 16WV	
C456			CE04EW1C101M	ELECTRO 100UF 16WV		C618,619			CK73GB1C473K	CHIP C 0.047UF K	
C457			CK73GB1H102K	CHIP C 1000PF K		C620			CK73GB1H472K	CHIP C 4700PF K	
C458			CK73FB1C105K	CHIP C 1.0UF K		C621-623			CK73GB1H103K	CHIP C 0.010UF K	
C459			CK73GB1H103K	CHIP C 0.010UF K		C624			CE04EW1C100M	ELECTRO 10UF 16WV	
C460,461			CK73GB1H102K	CHIP C 1000PF K		C625,626			CK73GB1C473K	CHIP C 0.047UF K	
C462			CK73GB1H103K	CHIP C 0.010UF K		C627			CK73GB1H472K	CHIP C 4700PF K	
C463-466			CK73GB1H102K	CHIP C 1000PF K		C628,629			CK73GB1C473K	CHIP C 0.047UF K	
C467-470			CK73GB1H103K	CHIP C 0.010UF K		C630			CC73GCH1H680J	CHIP C 68PF J	
C471			CK73GB1E223K	CHIP C 0.022UF K		C631			CC73GCH1H180J	CHIP C 18PF J	
C472			C92-0003-05	CHIP-TAN 0.47UF 25WV		C632			CC73GCH1H820J	CHIP C 82PF J	
C473			CK73GB1C473K	CHIP C 0.047UF K		C633			CC73GCH1H080D	CHIP C 8.0PF D	
C474			CK73GB1H102K	CHIP C 1000PF K		C634			CC73GCH1H390J	CHIP C 39PF J	
C475			CK73GB1H103K	CHIP C 0.010UF K		C635			CE04EW1C100M	ELECTRO 10UF 16WV	
C476			CE04EW1C100M	ELECTRO 10UF 16WV		C636,637			CK73GB1C473K	CHIP C 0.047UF K	
C477			CE04EW1E4R7M	ELECTRO 4.7UF 25WV		C638			CK73GB1H472K	CHIP C 4700PF K	
C478			CK73GB1H103K	CHIP C 0.010UF K		C639-641			CK73GB1H103K	CHIP C 0.010UF K	
C479			CC73GCH1H101J	CHIP C 100PF J		C642			CE04EW1C100M	ELECTRO 10UF 16WV	
C480			CE04EW1E4R7M	ELECTRO 4.7UF 25WV		C643			CK73GB1H472K	CHIP C 4700PF K	
C481-484			CK73GB1H102K	CHIP C 1000PF K		C644-647			CK73GB1C473K	CHIP C 0.047UF K	
C485-487			CC73GCH1H101J	CHIP C 100PF J		C648			CC73GCH1H390J	CHIP C 39PF J	
C488			CE04EW1C100M	ELECTRO 10UF 16WV		C649			CC73GCH1H180J	CHIP C 18PF J	
C489			CK73GB1H103K	CHIP C 0.010UF K		C650			CC73GCH1H820J	CHIP C 82PF J	
C490,491			CC73GCH1H101J	CHIP C 100PF J		C651			CC73GCH1H090B	CHIP C 9.0PF B	
C492			C92-0004-05	CHIP-TAN 1.0UF 16WV		C652			CC73GCH1H390J	CHIP C 39PF J	
C493-499			CK73GB1H103K	CHIP C 0.010UF K		C700			CE04EW1C220M	ELECTRO 22UF 16WV	
C500			CK73GB1C104K	CHIP C 0.10UF K		C703			CK73GB1H103K	CHIP C 0.010UF K	
C501			CK73GB1H103K	CHIP C 0.010UF K		C704			CK73GB1C104K	CHIP C 0.10UF K	
C502			CK73GB1C104K	CHIP C 0.10UF K		C705			CC73GCH1H221J	CHIP C 220PF J	
C505			CK73GB1H102K	CHIP C 1000PF K		C706-708			CC73GUJ1H040C	CHIP C 4.0PF C	
C506			CE04EW1C220M	ELECTRO 22UF 16WV		C709,710			CK73GB1H103K	CHIP C 0.010UF K	
C507,508			CK73GB1H102K	CHIP C 1000PF K		C711			CK73GB1H102K	CHIP C 1000PF K	

K : TS-2000 (K) KX : TS-2000X (K)
E : TS-2000 (E) E2 : TS-2000 (E2)

PARTS LIST

TX-RX 1 UNIT (X57-605X-XX)

Ref. No.	Address	New parts	Parts No.	Description	Destination	Ref. No.	Address	New parts	Parts No.	Description	Destination
C712-716			CK73GB1H103K	CHIP C 0.010UF K		C861			CK73GB1H103K	CHIP C 0.010UF K	
C718			CC73GUJ1H040C	CHIP C 4.0PF C		C862-866			CK73GB1H102K	CHIP C 1000PF K	
C719			CK73GB1H103K	CHIP C 0.010UF K		C867,868			CK73GB1C104K	CHIP C 0.10UF K	
C720			CC73GCH1H390J	CHIP C 39PF J		C869			CK73FB1C105K	CHIP C 1.0UF K	
C721,722			CK73GB1C104K	CHIP C 0.10UF K		C870,871			CK73GB1C473K	CHIP C 0.047UF K	
C723			C92-0606-05	CHIP-TAN 4.7UF 10WV		C950,951			CK73GB1H103K	CHIP C 0.010UF K	
C724,725			CK73GB1H103K	CHIP C 0.010UF K		C952-955			CK73EF1C105Z	CHIP C 1.0UF Z	
C726			CK73FB1C105K	CHIP C 1.0UF K		C956-959			CK73GB1H103K	CHIP C 0.010UF K	
C727,728			CC73GCH1H101J	CHIP C 100PF J		C970			CE04EW1A101M	ELECTRO 100UF 10WV	
C739			CK73GB1H103K	CHIP C 0.010UF K		TC1,2			C05-0344-05	CERAMIC TRIMMER CAP (30P)	E,E2
C741			CK73FB1C105K	CHIP C 1.0UF K		TC3			C05-0369-05	CERAMIC TRIMMER CAP	
C743			CK73GB1C104K	CHIP C 0.10UF K		-			E18-0254-05	SOCKET	
C744			CK73GB1H103K	CHIP C 0.010UF K		-	*		E23-1176-04	EARTH LUG	
C745,746			CK73GB1C104K	CHIP C 0.10UF K		CN1			E04-0154-05	PIN SOCKET	
C747			CK73FB1C105K	CHIP C 1.0UF K		CN2-4			E40-5487-05	PIN ASSY	
C749			CK73GB1H103K	CHIP C 0.010UF K		CN5			E04-0154-05	PIN SOCKET	
C750			CK73FB1E104K	CHIP C 0.10UF K		CN6			E40-0211-05	PIN ASSY	
C752			CC73GCH1H560J	CHIP C 56PF J		CN7			E04-0154-05	PIN SOCKET	
C753			CC73GCH1H100D	CHIP C 10PF D		CN9			E40-0211-05	PIN ASSY	
C754,755			CC73GCH1H271J	CHIP C 270PF J		CN11			E40-3239-05	PIN ASSY	
C757			CK73GB1H102K	CHIP C 1000PF K		CN12			E04-0154-05	PIN SOCKET	
C758			CK73GB1E223K	CHIP C 0.022UF K		CN14			E04-0154-05	PIN SOCKET	
C759,760			CK73FB1C105K	CHIP C 1.0UF K		CN16			E40-3239-05	PIN ASSY	
C761,762			CK73GB1H103K	CHIP C 0.010UF K		CN17,18			E40-3237-05	PIN ASSY	
C763			CC73GCH1H030C	CHIP C 3.0PF C		CN20			E40-5618-05	FLAT CABLE CONNECTOR	
C765,766			CK73GB1H103K	CHIP C 0.010UF K		CN21			E40-5747-05	PIN ASSY SOCKET	
C767			CC73GCH1H010B	CHIP C 1.0PF B		CN22,23			E04-0154-05	PIN SOCKET	
C770,771			CK73GB1H102K	CHIP C 1000PF K		CN24,25			E40-6009-05	FLAT CABLE CONNECTOR	
C772			CC73GCH1H470J	CHIP C 47PF J		CN26,27			E40-5978-05	FLAT CABLE CONNECTOR	
C773-776			CK73GB1H102K	CHIP C 1000PF K		CN29			E40-5978-05	FLAT CABLE CONNECTOR	
C777			CC73GCH1H221J	CHIP C 220PF J		CN31			E40-3238-05	PIN ASSY	
C778			CE04EW1C100M	ELECTRO 10UF 16WV		CN32			E40-3239-05	PIN ASSY	
C779			CK73GB1C104K	CHIP C 0.10UF K		CN49			E04-0154-05	PIN SOCKET	
C780			CK73GB1H103K	CHIP C 0.010UF K		CN800			E40-5978-05	FLAT CABLE CONNECTOR	
C781			CC73GCH1H101J	CHIP C 100PF J		CN801			E40-5736-05	FLAT CABLE CONNECTOR	
C782			C92-0004-05	CHIP-TAN 1.0UF 16WV		CN804			E40-3239-05	PIN ASSY	
C783			CK73GB1C104K	CHIP C 0.10UF K		CN805			E40-5978-05	FLAT CABLE CONNECTOR	
C784,785			CK73GB1H152K	CHIP C 1500PF K		CN806			E40-5741-05	FLAT CABLE CONNECTOR	
C786			CK73FB1C334K	CHIP C 0.33UF K		CN950			E40-3250-05	PIN ASSY	
C787			CK73FB1E104K	CHIP C 0.10UF K		CN951			E40-3251-05	PIN ASSY	
C788,789			CK73FB1C105K	CHIP C 1.0UF K		CN952	*		E40-6074-05	FLAT CABLE CONNECTOR	
C790,791			CK73GB1H103K	CHIP C 0.010UF K		CN953	*		E40-6077-05	FLAT CABLE CONNECTOR	
C792			CK73EB1H104K	CHIP C 0.10UF K		CN956	*		E40-6079-05	PIN ASSY	
C800			CK73GB1E223K	CHIP C 0.022UF K		CN957	*		E40-6080-05	PIN ASSY	
C801,802			CK73GB1C104K	CHIP C 0.10UF K		CN962			E40-3248-05	PIN ASSY	
C803			C92-0038-05	CHIP-ELE 22UF 16WV		J1			E13-0166-05	PHONE JACK	
C804			CK73GB1C104K	CHIP C 0.10UF K		J2,3			E11-0414-05	3.5D PHONE JACK (3P)	
C806			CK73GB1H102K	CHIP C 1000PF K		J4			E06-0752-05	DIN SOCKET	
C810,811			CK73GB1C104K	CHIP C 0.10UF K		J5			E58-0435-05	SUB SOCKET (D)	
C812-816			CK73GB1H102K	CHIP C 1000PF K		J6			E58-0410-05	MODULAR JACK	
C818-820			CK73GB1C104K	CHIP C 0.10UF K		J7			E06-0859-05	DIN SOCKET	
C821,822			CC73GCH1H100D	CHIP C 10PF D		J8			E56-0408-05	DIN SOCKET	
C823			CK73GB1C104K	CHIP C 0.10UF K		J950			E06-0858-15	RF COAXIAL RECEPTACLE (ROUND)	
C824			CK73GB1H103K	CHIP C 0.010UF K		J951			E11-0438-05	PHONE JACK (9P)	
C826-842			CK73GB1H102K	CHIP C 1000PF K		W1	*		E37-0884-05	LEAD WIRE WITH CONNECTOR	
C844			CK73GB1H102K	CHIP C 1000PF K		W2	*		E37-0954-05	LEAD WIRE WITH CONNECTOR	
C847-850			CK73GB1H102K	CHIP C 1000PF K		-	*		F10-2003-14	SHIELDING CASE	
C851			CK73GB1H103K	CHIP C 0.010UF K		F1			F53-0115-05	FUSE	
C852-855			CK73GB1H102K	CHIP C 1000PF K							
C858-860			CK73GB1H102K	CHIP C 1000PF K							

PARTS LIST

TX-RX 1 UNIT (X57-605X-XX)

Ref. No.	Address	New parts	Parts No.	Description	Destination	Ref. No.	Address	New parts	Parts No.	Description	Destination
-			G02-0794-04	FLAT SPRING		L66			L34-4393-05	COIL	
CN30			J19-1570-05	HOLDER		L67			L34-4394-05	COIL	
CF1		*	L72-0984-05	CERAMIC FILTER		L68			L34-4415-05	COIL	
CF2		*	L72-0985-05	CERAMIC FILTER		L69			L34-4207-05	COIL	
CF3			L72-0333-05	CERAMIC FILTER		L70		*	L40-1015-85	SMALL FIXED INDUCTOR (100U)	
CF4		*	L72-0984-05	CERAMIC FILTER		L71			L34-4414-05	COIL	
L1			L40-1885-48	SMALL FIXED INDUCTOR (180NH)		L72			L40-1085-34	SMALL FIXED INDUCTOR (100NH)	
L2			L33-0695-05	SMALL FIXED INDUCTOR		L73			L40-2285-34	SMALL FIXED INDUCTOR (220NH)	
L3,4			L40-6891-14	SMALL FIXED INDUCTOR		L74-77		*	L40-1015-85	SMALL FIXED INDUCTOR (100U)	
L5,6			L33-0695-05	SMALL FIXED INDUCTOR		L78			L33-0695-05	SMALL FIXED INDUCTOR	
L7			L40-6891-15	SMALL FIXED INDUCTOR	E,E2	L80		*	L40-4705-85	SMALL FIXED INDUCTOR (47U)	
L8			L33-0695-05	SMALL FIXED INDUCTOR		L81,82			L34-4401-05	COIL	
L9			L40-6891-15	SMALL FIXED INDUCTOR	E,E2	L83			L34-4459-05	COIL	
L10			L40-5695-34	SMALL FIXED INDUCTOR (5.6UH)		L84-86			L40-2221-33	SMALL FIXED INDUCTOR	
L11			L33-0695-05	SMALL FIXED INDUCTOR		L87		*	L34-4663-05	COIL	
L12,13		*	L40-2215-85	SMALL FIXED INDUCTOR (220U)		L90		*	L40-4705-85	SMALL FIXED INDUCTOR (47U)	
L14			L40-1892-14	SMALL FIXED INDUCTOR		L91			L40-1085-34	SMALL FIXED INDUCTOR (100NH)	
L15			L40-6891-14	SMALL FIXED INDUCTOR		L92		*	L33-1394-05	SMALL FIXED INDUCTOR	
L16			L40-1892-14	SMALL FIXED INDUCTOR		L93			L33-0695-05	SMALL FIXED INDUCTOR	
L17			L40-1292-14	SMALL FIXED INDUCTOR		L94		*	L40-1015-85	SMALL FIXED INDUCTOR (100U)	
L18			L40-5691-14	SMALL FIXED INDUCTOR		L95			L19-0324-05	TOROIDAL COIL	
L19			L40-1292-14	SMALL FIXED INDUCTOR		L96			L34-4333-05	COIL	
L20			L40-1092-14	SMALL FIXED INDUCTOR		L97			L39-1255-05	TOROIDAL COIL	
L21			L40-3391-14	SMALL FIXED INDUCTOR		L98-100			L34-4333-05	COIL	
L22			L40-1092-14	SMALL FIXED INDUCTOR		L101		*	L40-1015-85	SMALL FIXED INDUCTOR (100U)	
L23-25			L34-4262-05	COIL		L102			L34-4222-05	COIL	
L26			L40-3382-14	SMALL FIXED INDUCTOR		L103			L34-4025-05	COIL	
L27			L40-2792-14	SMALL FIXED INDUCTOR		L104			L40-1005-85	SMALL FIXED INDUCTOR (10U)	
L28			L40-3382-14	SMALL FIXED INDUCTOR		L105			L34-4025-05	COIL	
L29			L40-2282-14	SMALL FIXED INDUCTOR		L106,107		*	L40-1015-85	SMALL FIXED INDUCTOR (100U)	
L30			L40-2292-14	SMALL FIXED INDUCTOR		L108,109			L34-4025-05	COIL	
L31			L40-2282-14	SMALL FIXED INDUCTOR		L110-113		*	L40-1015-85	SMALL FIXED INDUCTOR (100U)	
L32-34			L34-4289-05	COIL		L115,116			L40-1095-85	SMALL FIXED INDUCTOR (1.0U)	
L35			L40-2282-14	SMALL FIXED INDUCTOR		L117			L40-1021-13	SMALL FIXED INDUCTOR	
L36			L40-1592-14	SMALL FIXED INDUCTOR		L118		*	L33-1425-05	CHOKE COIL	
L37,38			L40-2282-14	SMALL FIXED INDUCTOR		L119			L33-0695-05	SMALL FIXED INDUCTOR	
L39			L40-1292-14	SMALL FIXED INDUCTOR		L121			L40-1095-85	SMALL FIXED INDUCTOR (1.0U)	
L40-43			L40-2282-14	SMALL FIXED INDUCTOR		L122-125		*	L40-1015-85	SMALL FIXED INDUCTOR (100U)	
L44			L34-4333-05	COIL		L126		*	L40-4705-85	SMALL FIXED INDUCTOR (47U)	
L45,46			L34-2026-05	COIL		L129-131		*	L40-1015-85	SMALL FIXED INDUCTOR (100U)	
L47			L33-0695-05	SMALL FIXED INDUCTOR		L132-135		*	L40-1095-85	SMALL FIXED INDUCTOR (1.0U)	
L48		*	L40-1588-76	SMALL FIXED INDUCTOR (0.15UH)		L601,602		*	L40-1005-85	SMALL FIXED INDUCTOR (10U)	
L49		*	L40-1088-76	SMALL FIXED INDUCTOR (0.1UH)		L603,604		*	L40-1015-85	SMALL FIXED INDUCTOR (100U)	
L50		*	L40-4705-85	SMALL FIXED INDUCTOR (47U)		L605,606		*	L40-1005-85	SMALL FIXED INDUCTOR (10U)	
L51			L19-0324-05	TOROIDAL COIL		L607		*	L40-3395-85	SMALL FIXED INDUCTOR (3.3U)	
L52			L39-1255-05	TOROIDAL COIL		L608		*	L40-3995-85	SMALL FIXED INDUCTOR (3.9U)	
L53		*	L40-1015-85	SMALL FIXED INDUCTOR (100U)		L609,610		*	L40-1005-85	SMALL FIXED INDUCTOR (10U)	
L54			L34-4413-05	COIL		L611		*	L40-2795-85	SMALL FIXED INDUCTOR (2.7U)	
L55			L33-0695-05	SMALL FIXED INDUCTOR		L612		*	L40-3395-85	SMALL FIXED INDUCTOR (3.3U)	
L56			L40-2295-85	SMALL FIXED INDUCTOR (2.2U)		L613		*	L34-4663-05	COIL	
L57		*	L33-1394-05	SMALL FIXED INDUCTOR		L614		*	L34-4649-05	COIL	
L58			L40-1085-34	SMALL FIXED INDUCTOR (100NH)		L615		*	L40-1015-85	SMALL FIXED INDUCTOR (100U)	
L59			L33-0695-05	SMALL FIXED INDUCTOR		L616,617			L40-3301-37	SMALL FIXED INDUCTOR (33.00UH)	
L60			L39-1255-05	TOROIDAL COIL		L618			L40-1005-85	SMALL FIXED INDUCTOR (10U)	
L61		*	L40-1015-85	SMALL FIXED INDUCTOR (100U)		L700			L40-1885-34	SMALL FIXED INDUCTOR (180NH)	
L62			L34-4394-05	COIL		L701			L33-0695-05	SMALL FIXED INDUCTOR	
L63			L34-4393-05	COIL		L702			L40-2295-85	SMALL FIXED INDUCTOR (2.2U)	
L64,65			L34-4394-05	COIL		L703		*	L33-1394-05	SMALL FIXED INDUCTOR	
						L704			L40-1085-34	SMALL FIXED INDUCTOR (100NH)	
						L705			L33-0695-05	SMALL FIXED INDUCTOR	

K : TS-2000 (K) KX : TS-2000X (K)
E : TS-2000 (E) E2 : TS-2000 (E2)

PARTS LIST

TX-RX 1 UNIT (X57-605X-XX)

Ref. No.	Address	New parts	Parts No.	Description	Destination	Ref. No.	Address	New parts	Parts No.	Description	Destination
L706		*	L33-1394-05	SMALL FIXED INDUCTOR		R52			R92-1252-05	CHIP R 0 OHM	
L707			L40-1081-36	SMALL FIXED INDUCTOR (100NH)		R53,54			RK73GB1J100J	CHIP R 10 J 1/16W	
L709			L40-3395-34	SMALL FIXED INDUCTOR (3.3UH)		R55			RK73GB1J271J	CHIP R 270 J 1/16W	
L710-713			L40-3391-37	SMALL FIXED INDUCTOR (3.300UH)		R56,57			RK73GB1J100J	CHIP R 10 J 1/16W	
L714,715			L40-1005-85	SMALL FIXED INDUCTOR (10U)		R58			RK73GB1J682J	CHIP R 6.8K J 1/16W	
L716			L40-4705-34	SMALL FIXED INDUCTOR (47UH)		R59			RK73FB2A100J	CHIP R 10 J 1/10W	
L717			L92-0131-05	FERRITE CHIP		R60			RK73GB1J471J	CHIP R 470 J 1/16W	
L718		*	L40-1015-85	SMALL FIXED INDUCTOR (100U)		R61			RK73GB1J151J	CHIP R 150 J 1/16W	
L800,801			L40-1095-48	SMALL FIXED INDUCTOR (1UH)		R62			RK73GB1J331J	CHIP R 330 J 1/16W	
X1		*	L77-1827-05	CRYSTAL RESONATOR (10.595M)		R63			RK73GB1J681J	CHIP R 680 J 1/16W	
X800			L77-1680-05	CRYSTAL RESONATOR (11.0592MHZ)		R64			RK73GB1J103J	CHIP R 10K J 1/16W	
XF1		*	L71-0562-05	MCF (69.085M)		R65			RK73FB2A100J	CHIP R 10 J 1/10W	
XF2		*	L71-0561-05	MCF (75.925M)		R68			RK73GB1J331J	CHIP R 330 J 1/16W	
XF5			L71-0433-15	MCF (10.695MHZ)		R69			RK73GB1J180J	CHIP R 18 J 1/16W	
XF6		*	L71-0569-05	CRYSTAL FILTER (10.695M/2.7K)		R70			RK73GB1J331J	CHIP R 330 J 1/16W	
XF9		*	L71-0570-05	CRYSTAL FILTER (10.595M/6K)		R71			RK73GB1J151J	CHIP R 150 J 1/16W	
CP1-3		*	RK75GB1J103J	CHIP-COM 10K J 1/16W		R72			R92-1252-05	CHIP R 0 OHM	
CP6-9		*	RK75GB1J103J	CHIP-COM 10K J 1/16W		R73			RK73GB1J102J	CHIP R 1.0K J 1/16W	
CP10,11		*	RK75GB1J101J	CHIP-COM 100 J 1/16W		R74			RK73GB1J100J	CHIP R 10 J 1/16W	
CP801-804			RK75GB1J473J	CHIP-COM 47K J 1/16W		R75			RK73GB1J680J	CHIP R 68 J 1/16W	
CP805-808		*	RK75GB1J103J	CHIP-COM 10K J 1/16W		R76			RK73GB1J180J	CHIP R 18 J 1/16W	
CP809,810			RK75GB1J473J	CHIP-COM 47K J 1/16W		R77			RK73GB1J182J	CHIP R 1.8K J 1/16W	
R1			RK73EB2B560J	CHIP R 56 J 1/8W		R78			RK73GB1J102J	CHIP R 1.0K J 1/16W	
R2			RK73EB2B471J	CHIP R 470 J 1/8W		R79			RK73GB1J471J	CHIP R 470 J 1/16W	
R3			RK73EB2B181J	CHIP R 180 J 1/8W		R80			RK73GB1J103J	CHIP R 10K J 1/16W	
R4			RK73GB1J222J	CHIP R 2.2K J 1/16W		R81			RK73GB1J560J	CHIP R 56 J 1/16W	
R5			RK73GB1J101J	CHIP R 100 J 1/16W		R82			RK73GB1J103J	CHIP R 10K J 1/16W	
R6,7			RK73FB2A101J	CHIP R 100 J 1/10W		R83-86			RK73GB1J471J	CHIP R 470 J 1/16W	
R8			RK73GB1J472J	CHIP R 4.7K J 1/16W		R87			RK73GB1J222J	CHIP R 2.2K J 1/16W	
R9			RK73GB1J471J	CHIP R 470 J 1/16W		R88,89			RK73GB1J471J	CHIP R 470 J 1/16W	
R10			RK73GB1J560J	CHIP R 56 J 1/16W		R90			RK73GB1J273J	CHIP R 27K J 1/16W	
R11-13			RK73FB2A560J	CHIP R 56 J 1/10W		R91			RK73GB1J471J	CHIP R 470 J 1/16W	
R14			RK73GB1J330J	CHIP R 33 J 1/16W		R92			RK73GB1J823J	CHIP R 82K J 1/16W	
R15,16			RK73FB2A560J	CHIP R 56 J 1/10W		R93			RK73GB1J100J	CHIP R 10 J 1/16W	
R17			RK73GB1J330J	CHIP R 33 J 1/16W		R94			RK73GB1J101J	CHIP R 100 J 1/16W	
R18,19			RK73FB2A560J	CHIP R 56 J 1/10W		R95			RK73GB1J102J	CHIP R 1.0K J 1/16W	
R20			RK73GB1J330J	CHIP R 33 J 1/16W		R96			R92-1252-05	CHIP R 0 OHM	
R21,22			RK73FB2A560J	CHIP R 56 J 1/10W		R97			RK73GB1J682J	CHIP R 6.8K J 1/16W	
R23			RK73GB1J330J	CHIP R 33 J 1/16W		R98			R92-1252-05	CHIP R 0 OHM	
R24,25			RK73FB2A560J	CHIP R 56 J 1/10W		R99,100			RK73GB1J222J	CHIP R 2.2K J 1/16W	
R26			RK73GB1J330J	CHIP R 33 J 1/16W		R101			RK73GB1J102J	CHIP R 1.0K J 1/16W	
R27,28			RK73FB2A560J	CHIP R 56 J 1/10W		R102			RK73FB2A100J	CHIP R 10 J 1/10W	
R29			RK73GB1J330J	CHIP R 33 J 1/16W		R103			RK73GB1J682J	CHIP R 6.8K J 1/16W	
R30,31			RK73FB2A560J	CHIP R 56 J 1/10W		R104			RK73GB1J221J	CHIP R 220 J 1/16W	
R32			RK73GB1J330J	CHIP R 33 J 1/16W		R105			RK73GB1J821J	CHIP R 820 J 1/16W	
R33,34			RK73FB2A560J	CHIP R 56 J 1/10W		R106,107			RK73GB1J102J	CHIP R 1.0K J 1/16W	
R35			RK73GB1J330J	CHIP R 33 J 1/16W		R108			RK73GB1J101J	CHIP R 100 J 1/16W	
R36,37			RK73FB2A560J	CHIP R 56 J 1/10W		R110			RK73GB1J104J	CHIP R 100K J 1/16W	
R38			RK73GB1J330J	CHIP R 33 J 1/16W		R111			RK73GB1J222J	CHIP R 2.2K J 1/16W	
R39,40			RK73FB2A560J	CHIP R 56 J 1/10W		R113			RK73GB1J471J	CHIP R 470 J 1/16W	
R41			RK73GB1J330J	CHIP R 33 J 1/16W		R114			RK73GB1J222J	CHIP R 2.2K J 1/16W	
R42			RK73FB2A560J	CHIP R 56 J 1/10W		R115			RK73GB1J101J	CHIP R 100 J 1/16W	
R43			RK73GB1J330J	CHIP R 33 J 1/16W		R119			RK73GB1J104J	CHIP R 100K J 1/16W	
R44,45			RK73FB2A560J	CHIP R 56 J 1/10W		R121			RK73GB1J103J	CHIP R 10K J 1/16W	
R46			RK73GB1J151J	CHIP R 150 J 1/16W		R122			RK73GB1J151J	CHIP R 150 J 1/16W	
R47			RK73GB1J562J	CHIP R 5.6K J 1/16W		R123			RK73GB1J471J	CHIP R 470 J 1/16W	
R48			RK73GB1J471J	CHIP R 470 J 1/16W		R124			RK73GB1J122J	CHIP R 1.2K J 1/16W	
R49			RK73GB1J102J	CHIP R 1.0K J 1/16W		R126			R92-1252-05	CHIP R 0 OHM	
R50,51			RK73GB1J681J	CHIP R 680 J 1/16W		R127			RK73GB1J122J	CHIP R 1.2K J 1/16W	
						R128			RK73GB1J152J	CHIP R 1.5K J 1/16W	

PARTS LIST

TX-RX 1 UNIT (X57-605X-XX)

Ref. No.	Address	New parts	Parts No.	Description	Destination	Ref. No.	Address	New parts	Parts No.	Description	Destination
R131			RK73GB1J101J	CHIP R 100 J 1/16W		R206			RK73GB1J682J	CHIP R 6.8K J 1/16W	
R132			R92-1252-05	CHIP R 0 OHM		R209			RK73GB1J470J	CHIP R 47 J 1/16W	
R133			RK73GB1J101J	CHIP R 100 J 1/16W		R210			RK73GB1J102J	CHIP R 1.0K J 1/16W	
R135			R92-1252-05	CHIP R 0 OHM		R211,212			RK73GB1J103J	CHIP R 10K J 1/16W	
R137			RK73GB1J681J	CHIP R 680 J 1/16W		R213			RK73GB1J223J	CHIP R 22K J 1/16W	
R138			RK73GB1J152J	CHIP R 1.5K J 1/16W		R214			RK73GB1J122J	CHIP R 1.2K J 1/16W	
R139			RK73GB1J101J	CHIP R 100 J 1/16W		R215,216			RK73GB1J332J	CHIP R 3.3K J 1/16W	
R141			RK73GB1J681J	CHIP R 680 J 1/16W		R217			RK73GB1J104J	CHIP R 100K J 1/16W	
R142			R92-1252-05	CHIP R 0 OHM		R219			RK73GB1J471J	CHIP R 470 J 1/16W	
R143			RK73GB1J681J	CHIP R 680 J 1/16W		R220			RK73GB1J223J	CHIP R 22K J 1/16W	
R144,145			RK73GB1J152J	CHIP R 1.5K J 1/16W		R221			RK73GB1J101J	CHIP R 100 J 1/16W	
R146			RK73GB1J101J	CHIP R 100 J 1/16W		R222			RK73GB1J222J	CHIP R 2.2K J 1/16W	
R147			RK73GB1J681J	CHIP R 680 J 1/16W		R223			RK73GB1J221J	CHIP R 220 J 1/16W	
R148			RK73GB1J821J	CHIP R 820 J 1/16W		R224			RK73GB1J682J	CHIP R 6.8K J 1/16W	
R149			RK73GB1J122J	CHIP R 1.2K J 1/16W		R225			RK73GB1J331J	CHIP R 330 J 1/16W	
R150			RK73GB1J681J	CHIP R 680 J 1/16W		R226			RK73GB1J152J	CHIP R 1.5K J 1/16W	
R151			RK73GB1J221J	CHIP R 220 J 1/16W		R227			R92-1252-05	CHIP R 0 OHM	
R152			RK73GB1J102J	CHIP R 1.0K J 1/16W		R228			RK73GB1J331J	CHIP R 330 J 1/16W	
R153			RK73GB1J223J	CHIP R 22K J 1/16W		R229			RK73GB1J101J	CHIP R 100 J 1/16W	
R154			R92-1252-05	CHIP R 0 OHM		R230-232			RK73GB1J102J	CHIP R 1.0K J 1/16W	
R155			RK73GB1J223J	CHIP R 22K J 1/16W		R233			RK73GB1J154J	CHIP R 150K J 1/16W	
R157			RK73GB1J683J	CHIP R 68K J 1/16W		R234			RK73GB1J101J	CHIP R 100 J 1/16W	
R158,159			RK73GB1J103J	CHIP R 10K J 1/16W		R235			RK73GB1J124J	CHIP R 120K J 1/16W	
R160			RK73GB1J102J	CHIP R 1.0K J 1/16W		R236			RK73GB1J472J	CHIP R 4.7K J 1/16W	
R161			RK73GB1J152J	CHIP R 1.5K J 1/16W		R237			RK73GB1J471J	CHIP R 470 J 1/16W	
R162			RK73GB1J223J	CHIP R 22K J 1/16W		R240			RK73GB1J100J	CHIP R 10 J 1/16W	
R163			RK73GB1J221J	CHIP R 220 J 1/16W		R241			RK73GB1J223J	CHIP R 22K J 1/16W	
R165			RK73GB1J102J	CHIP R 1.0K J 1/16W		R242,243			RK73GB1J472J	CHIP R 4.7K J 1/16W	
R166			RK73GB1J563J	CHIP R 56K J 1/16W		R244			RK73GB1J331J	CHIP R 330 J 1/16W	
R167			RK73GB1J101J	CHIP R 100 J 1/16W		R245			RK73GB1J180J	CHIP R 18 J 1/16W	
R168			RK73GB1J681J	CHIP R 680 J 1/16W		R246			RK73GB1J331J	CHIP R 330 J 1/16W	
R169			RK73GB1J682J	CHIP R 6.8K J 1/16W		R247			RK73GB1J100J	CHIP R 10 J 1/10W	
R172			RK73GB1J104J	CHIP R 100K J 1/16W		R248			RK73GB1J221J	CHIP R 220 J 1/16W	
R173			RK73GB1J223J	CHIP R 22K J 1/16W		R249			RK73GB1J681J	CHIP R 680 J 1/16W	
R174			RK73GB1J471J	CHIP R 470 J 1/16W		R250			RK73GB1J103J	CHIP R 10K J 1/16W	
R175			RK73GB1J223J	CHIP R 22K J 1/16W		R252			RK73GB1J151J	CHIP R 150 J 1/16W	
R176			RK73GB1J822J	CHIP R 8.2K J 1/16W		R253			RK73GB1J101J	CHIP R 100 J 1/16W	
R177			RK73GB1J471J	CHIP R 470 J 1/16W		R254			RK73GB1J151J	CHIP R 150 J 1/16W	
R178			RK73GB1J560J	CHIP R 56 J 1/16W		R255			R92-1252-05	CHIP R 0 OHM	
R179			RK73GB1J221J	CHIP R 220 J 1/16W		R256			RK73GB1J681J	CHIP R 680 J 1/16W	
R180			RK73GB1J274J	CHIP R 270K J 1/16W		R257,258			R92-1252-05	CHIP R 0 OHM	
R181			RK73GB1J152J	CHIP R 1.5K J 1/16W		R259,260			RK73GB1J100J	CHIP R 10 J 1/16W	
R182			RK73GB1J273J	CHIP R 27K J 1/16W		R261,262			RK73GB1J330J	CHIP R 33 J 1/16W	
R183			RK73GB1J152J	CHIP R 1.5K J 1/16W		R263			RK73GB1J473J	CHIP R 47K J 1/16W	
R184			RK73GB1J101J	CHIP R 100 J 1/16W		R264			RK73GB1J104J	CHIP R 100K J 1/16W	
R185			RK73GB1J332J	CHIP R 3.3K J 1/16W		R265			RK73GB1J103J	CHIP R 10K J 1/16W	
R187			RK73GB1J101J	CHIP R 100 J 1/16W		R266,267			RK73GB1J330J	CHIP R 33 J 1/16W	
R188			RK73GB1J152J	CHIP R 1.5K J 1/16W		R268			RK73GB1J273J	CHIP R 27K J 1/16W	
R190			RK73GB1J332J	CHIP R 3.3K J 1/16W		R269			RK73GB1J102J	CHIP R 1.0K J 1/16W	
R191			RK73GB1J101J	CHIP R 100 J 1/16W		R270			RK73GB1J473J	CHIP R 47K J 1/16W	
R192			RK73GB1J332J	CHIP R 3.3K J 1/16W		R272-274			RK73GB1J104J	CHIP R 100K J 1/16W	
R194			RK73GB1J101J	CHIP R 100 J 1/16W		R275,276			RK73GB1J101J	CHIP R 100 J 1/16W	
R196			RK73GB1J332J	CHIP R 3.3K J 1/16W		R277,278			RK73GB1J331J	CHIP R 330 J 1/16W	
R197			RK73GB1J101J	CHIP R 100 J 1/16W		R279			RK73GB1J472J	CHIP R 4.7K J 1/16W	
R198			RK73GB1J332J	CHIP R 3.3K J 1/16W		R280,281			RK73GB1J330J	CHIP R 33 J 1/16W	
R200			RK73GB1J101J	CHIP R 100 J 1/16W		R282,283			RK73GB1J680J	CHIP R 68 J 1/16W	
R201			RK73GB1J103J	CHIP R 10K J 1/16W		R284			RK73GB1J103J	CHIP R 10K J 1/16W	
R202			RK73GB1J332J	CHIP R 3.3K J 1/16W		R285			RK73GB1J472J	CHIP R 4.7K J 1/16W	
R203,204			RK73GB1J154J	CHIP R 150K J 1/16W		R286			R92-1252-05	CHIP R 0 OHM	
R205			RK73GB1J563J	CHIP R 56K J 1/16W		R287,288			RK73GB1J102J	CHIP R 1.0K J 1/16W	

K : TS-2000 (K) KX : TS-2000X (K)
 E : TS-2000 (E) E2 : TS-2000 (E2)

PARTS LIST

TX-RX 1 UNIT (X57-605X-XX)

Ref. No.	Address	New parts	Parts No.	Description	Destination	Ref. No.	Address	New parts	Parts No.	Description	Destination
R289			RK73GB1J471J	CHIP R 470 J 1/16W		R361			RK73GB1J103J	CHIP R 10K J 1/16W	
R290			RK73GB1J151J	CHIP R 150 J 1/16W		R364			RK73GB1J473J	CHIP R 47K J 1/16W	
R291			RK73GB1J124J	CHIP R 120K J 1/16W		R365			RK73GB1J273J	CHIP R 27K J 1/16W	
R292			RK73GB1J330J	CHIP R 33 J 1/16W		R366			RK73GB1J271J	CHIP R 270 J 1/16W	
R293			RK73GB1J681J	CHIP R 680 J 1/16W		R367,368			RK73GB1J4R7J	CHIP R 4.7 J 1/16W	
R294			RK73GB1J103J	CHIP R 10K J 1/16W		R369			RK73GB1J271J	CHIP R 270 J 1/16W	
R295			RK73GB1J682J	CHIP R 6.8K J 1/16W		R370			RK73GB1J273J	CHIP R 27K J 1/16W	
R296			RK73GB1J103J	CHIP R 10K J 1/16W		R371			RK73GB1J102J	CHIP R 1.0K J 1/16W	
R297,298			RK73GB1J122J	CHIP R 1.2K J 1/16W		R372			RK73GB1J473J	CHIP R 47K J 1/16W	
R299			RK73GB1J681J	CHIP R 680 J 1/16W		R373,374			RK73GB1J472J	CHIP R 4.7K J 1/16W	
R300			RK73GB1J223J	CHIP R 22K J 1/16W		R375			RK73GB1J102J	CHIP R 1.0K J 1/16W	
R301			RK73GB1J561J	CHIP R 560 J 1/16W		R376			RK73GB1J331J	CHIP R 330 J 1/16W	
R302			RK73GB1J682J	CHIP R 6.8K J 1/16W		R377			RK73GB1J104J	CHIP R 100K J 1/16W	
R303			RK73GB1J102J	CHIP R 1.0K J 1/16W		R378			RK73GB1J331J	CHIP R 330 J 1/16W	
R304			RK73GB1J223J	CHIP R 22K J 1/16W		R379			RK73GB1J272J	CHIP R 2.7K J 1/16W	
R305			RK73GB1J151J	CHIP R 150 J 1/16W		R380,381			RK73GB1J223J	CHIP R 22K J 1/16W	
R306			RK73GB1J103J	CHIP R 10K J 1/16W		R382			RK73GB1J471J	CHIP R 470 J 1/16W	
R307			RK73GB1J681J	CHIP R 680 J 1/16W		R383			RK73GB1J223J	CHIP R 22K J 1/16W	
R308			RK73GB1J472J	CHIP R 4.7K J 1/16W		R384,385			RK73GB1J101J	CHIP R 100 J 1/16W	
R309			RK73GB1J101J	CHIP R 100 J 1/16W		R386			RK73GB1J103J	CHIP R 10K J 1/16W	
R311			RK73GB1J223J	CHIP R 22K J 1/16W		R387			RK73GB1J472J	CHIP R 4.7K J 1/16W	
R313			RK73GB1J681J	CHIP R 680 J 1/16W		R391			RK73GB1J103J	CHIP R 10K J 1/16W	
R315			RK73GB1J222J	CHIP R 2.2K J 1/16W		R392			RK73GB1J100J	CHIP R 10 J 1/16W	
R316			RK73GB1J682J	CHIP R 6.8K J 1/16W		R397			RK73GB1J104J	CHIP R 100K J 1/16W	
R317			RK73GB1J102J	CHIP R 1.0K J 1/16W		R398,399			R92-1252-05	CHIP R 0 OHM	
R319			RK73GB1J562J	CHIP R 5.6K J 1/16W		R400			RK73GB1J103J	CHIP R 10K J 1/16W	
R320			RK73GB1J473J	CHIP R 47K J 1/16W		R401-404			RK73GB1J101J	CHIP R 100 J 1/16W	
R321			RK73GB1J223J	CHIP R 22K J 1/16W		R405-408			RK73GB1J2R2J	CHIP R 2.2 J 1/16W	
R322-324			RK73GB1J473J	CHIP R 47K J 1/16W		R409,410			RK73GB1J104J	CHIP R 100K J 1/16W	
R325			RK73GB1J222J	CHIP R 2.2K J 1/16W		R411			RK73GB1J822J	CHIP R 8.2K J 1/16W	
R326			RK73GB1J330J	CHIP R 33 J 1/16W		R412			RK73GB1J222J	CHIP R 2.2K J 1/16W	
R327			RK73GB1J102J	CHIP R 1.0K J 1/16W		R413			RK73GB1J103J	CHIP R 10K J 1/16W	
R328			RK73GB1J122J	CHIP R 1.2K J 1/16W		R414			RK73GB1J153J	CHIP R 15K J 1/16W	
R329			RK73GB1J182J	CHIP R 1.8K J 1/16W		R415,416			RK73GB1J102J	CHIP R 1.0K J 1/16W	
R330			RK73GB1J681J	CHIP R 680 J 1/16W		R417			RK73GB1J222J	CHIP R 2.2K J 1/16W	
R331			RK73GB1J122J	CHIP R 1.2K J 1/16W		R418,419			RK73GB1J331J	CHIP R 330 J 1/16W	
R332			RK73GB1J331J	CHIP R 330 J 1/16W		R420			RK73GB1J102J	CHIP R 1.0K J 1/16W	
R333			RK73GB1J471J	CHIP R 470 J 1/16W		R421			RK73GB1J101J	CHIP R 100 J 1/16W	
R334			RK73GB1J101J	CHIP R 100 J 1/16W		R422			RK73GB1J104J	CHIP R 100K J 1/16W	
R335			RK73GB1J102J	CHIP R 1.0K J 1/16W		R423			RK73GB1J153J	CHIP R 15K J 1/16W	
R336			RK73GB1J222J	CHIP R 2.2K J 1/16W		R424			RK73GB1J222J	CHIP R 2.2K J 1/16W	
R337			RK73GB1J224J	CHIP R 220K J 1/16W		R425			RK73GB1J332J	CHIP R 3.3K J 1/16W	
R338			RK73GB1J331J	CHIP R 330 J 1/16W		R426			RK73GB1J104J	CHIP R 100K J 1/16W	
R339			RK73GB1J101J	CHIP R 100 J 1/16W		R427			RK73GB1J332J	CHIP R 3.3K J 1/16W	
R340			RK73GB1J274J	CHIP R 270K J 1/16W		R428			RK73GB1J822J	CHIP R 8.2K J 1/16W	
R341			RD14BB2C103J	RD 10K J 1/6W		R429			RK73GB1J100J	CHIP R 10 J 1/16W	
R342			RK73GB1J103J	CHIP R 10K J 1/16W		R430			R92-1252-05	CHIP R 0 OHM	
R343			RK73GB1J681J	CHIP R 680 J 1/16W		R431			RK73GB1J104J	CHIP R 100K J 1/16W	
R344			RK73GB1J223J	CHIP R 22K J 1/16W		R432			R92-1252-05	CHIP R 0 OHM	
R345			RK73GB1J332J	CHIP R 3.3K J 1/16W		R433-435			RK73GB1J104J	CHIP R 100K J 1/16W	
R346			RK73GB1J681J	CHIP R 680 J 1/16W		R438,439			RK73GB1J104J	CHIP R 100K J 1/16W	
R347			RK73GB1J471J	CHIP R 470 J 1/16W		R440			RK73GB1J224J	CHIP R 220K J 1/16W	
R348			RK73GB1J332J	CHIP R 3.3K J 1/16W		R442			RK73GB1J273J	CHIP R 27K J 1/16W	
R349			RK73GB1J101J	CHIP R 100 J 1/16W		R443			R92-1252-05	CHIP R 0 OHM	
R350			RK73GB1J102J	CHIP R 1.0K J 1/16W		R444			RK73GB1J103J	CHIP R 10K J 1/16W	
R351			RK73GB1J223J	CHIP R 22K J 1/16W		R445			RK73GB1J102J	CHIP R 1.0K J 1/16W	
R352			RK73GB1J683J	CHIP R 68K J 1/16W		R446-448			RK73GB1J104J	CHIP R 100K J 1/16W	
R355			RK73GB1J102J	CHIP R 1.0K J 1/16W		R449			RK73GB1J221J	CHIP R 220 J 1/16W	
R356			RK73GB1J474J	CHIP R 470K J 1/16W		R450			RK73GB1J102J	CHIP R 1.0K J 1/16W	
R359			RK73GB1J104J	CHIP R 100K J 1/16W		R451			RK73GB1J272J	CHIP R 2.7K J 1/16W	

PARTS LIST

TX-RX 1 UNIT (X57-605X-XX)

Ref. No.	Address	New parts	Parts No.	Description	Destination	Ref. No.	Address	New parts	Parts No.	Description	Destination
R452,453			R92-1252-05	CHIP R 0 OHM		R700			RK73GB1J101J	CHIP R 100 J 1/16W	
R454,455			RK73GB1J101J	CHIP R 100 J 1/16W		R701			RK73GB1J103J	CHIP R 10K J 1/16W	
R460-475			RK73GB1J102J	CHIP R 1.0K J 1/16W		R702,703			RK73GB1J471J	CHIP R 470 J 1/16W	
R476			RK73GB1J563J	CHIP R 56K J 1/16W		R704			RK73GB1J473J	CHIP R 47K J 1/16W	
R477			RK73GB1J103J	CHIP R 10K J 1/16W		R707-710			RK73GB1J472J	CHIP R 4.7K J 1/16W	
R478			R92-1252-05	CHIP R 0 OHM		R711			RK73GB1J103J	CHIP R 10K J 1/16W	
R479			RK73GB1J473J	CHIP R 47K J 1/16W		R712,713			RK73GB1J101J	CHIP R 100 J 1/16W	
R480			RK73GB1J563J	CHIP R 56K J 1/16W		R714,715			RK73GB1J471J	CHIP R 470 J 1/16W	
R481			RK73GB1J103J	CHIP R 10K J 1/16W		R717,718			RK73GB1J104J	CHIP R 100K J 1/16W	
R482			RK73GB1J334J	CHIP R 330K J 1/16W		R719			RK73GB1J393J	CHIP R 39K J 1/16W	
R483			R92-1252-05	CHIP R 0 OHM		R720			RK73GB1J102J	CHIP R 1.0K J 1/16W	
R484			RK73GB1J474J	CHIP R 470K J 1/16W		R721			RK73GB1J101J	CHIP R 100 J 1/16W	
R485			RK73GB1J124J	CHIP R 120K J 1/16W		R722			RK73GB1J471J	CHIP R 470 J 1/16W	
R486			RK73GB1J224J	CHIP R 220K J 1/16W		R725			RK73GB1J562J	CHIP R 5.6K J 1/16W	
R487			RK73GB1J104J	CHIP R 100K J 1/16W		R727			RK73GB1J121J	CHIP R 120 J 1/16W	
R488			RK73GB1J101J	CHIP R 100 J 1/16W		R728			RK73GB1J471J	CHIP R 470 J 1/16W	
R489			RK73GB1J104J	CHIP R 100K J 1/16W		R729			RK73GB1J221J	CHIP R 220 J 1/16W	
R491,492			RK73GB1J102J	CHIP R 1.0K J 1/16W		R731			RK73GB1J102J	CHIP R 1.0K J 1/16W	
R493-496			RK73GB1J101J	CHIP R 100 J 1/16W		R732			RK73GB1J103J	CHIP R 10K J 1/16W	
R497-499			RK73GB1J471J	CHIP R 470 J 1/16W		R733			RK73GB1J472J	CHIP R 4.7K J 1/16W	
R500-502			RK73GB1J104J	CHIP R 100K J 1/16W		R734			R92-1252-05	CHIP R 0 OHM	
R503,504			RK73GB1J101J	CHIP R 100 J 1/16W		R735			RK73GB1J104J	CHIP R 100K J 1/16W	
R505			RK73GB1J151J	CHIP R 150 J 1/16W		R736			RK73GB1J473J	CHIP R 47K J 1/16W	
R506,507			RK73GB1J101J	CHIP R 100 J 1/16W		R737			RK73GB1J472J	CHIP R 4.7K J 1/16W	
R508			RK73GB1J123J	CHIP R 12K J 1/16W		R738			RK73GB1J182J	CHIP R 1.8K J 1/16W	
R509			RK73GB1J103J	CHIP R 10K J 1/16W		R739,740			RK73GB1J103J	CHIP R 10K J 1/16W	
R601			RK73GB1J101J	CHIP R 100 J 1/16W		R741			RK73GB1J151J	CHIP R 150 J 1/16W	
R602			RK73GB1J823J	CHIP R 82K J 1/16W		R742			RK73GB1J331J	CHIP R 330 J 1/16W	
R603			RK73GB1J561J	CHIP R 560 J 1/16W		R743,744			RK73GB1J103J	CHIP R 10K J 1/16W	
R604			RK73GB1J392J	CHIP R 3.9K J 1/16W		R745			RK73FB2A100J	CHIP R 10 J 1/10W	
R605			RK73GB1J331J	CHIP R 330 J 1/16W		R747			RK73GB1J103J	CHIP R 10K J 1/16W	
R607			RK73GB1J822J	CHIP R 8.2K J 1/16W		R748			RK73GB1J331J	CHIP R 330 J 1/16W	
R608			RK73GB1J153J	CHIP R 15K J 1/16W		R749			RK73GB1J180J	CHIP R 18 J 1/16W	
R609			RK73GB1J181J	CHIP R 180 J 1/16W		R750			RK73GB1J331J	CHIP R 330 J 1/16W	
R610			RK73GB1J221J	CHIP R 220 J 1/16W		R751			RK73GB1J151J	CHIP R 150 J 1/16W	
R611			RK73GB1J101J	CHIP R 100 J 1/16W		R752			RK73GB1J223J	CHIP R 22K J 1/16W	
R612			RK73GB1J823J	CHIP R 82K J 1/16W		R753			RK73GB1J564J	CHIP R 560K J 1/16W	
R613			RK73GB1J561J	CHIP R 560 J 1/16W		R754			RK73GB1J222J	CHIP R 2.2K J 1/16W	
R614			RK73GB1J392J	CHIP R 3.9K J 1/16W		R755			R92-1252-05	CHIP R 0 OHM	
R615			RK73GB1J331J	CHIP R 330 J 1/16W		R756			RK73GB1J393J	CHIP R 39K J 1/16W	
R616			RK73GB1J101J	CHIP R 100 J 1/16W		R757			RK73GB1J333J	CHIP R 33K J 1/16W	
R617			RK73GB1J822J	CHIP R 8.2K J 1/16W		R758			RK73GB1J103J	CHIP R 10K J 1/16W	
R618			RK73GB1J153J	CHIP R 15K J 1/16W		R759			R92-1252-05	CHIP R 0 OHM	
R619			RK73GB1J181J	CHIP R 180 J 1/16W		R760			RK73GB1J102J	CHIP R 1.0K J 1/16W	
R621			RK73GB1J101J	CHIP R 100 J 1/16W		R761			R92-1252-05	CHIP R 0 OHM	
R622			RK73GB1J823J	CHIP R 82K J 1/16W		R762			RK73GB1J222J	CHIP R 2.2K J 1/16W	
R623			RK73GB1J561J	CHIP R 560 J 1/16W		R763			RK73GB1J101J	CHIP R 100 J 1/16W	
R624			RK73GB1J392J	CHIP R 3.9K J 1/16W		R764			RK73GB1J152J	CHIP R 1.5K J 1/16W	
R625			RK73GB1J331J	CHIP R 330 J 1/16W		R765			RK73GB1J182J	CHIP R 1.8K J 1/16W	
R626			RK73GB1J101J	CHIP R 100 J 1/16W		R766			RK73GB1J221J	CHIP R 220 J 1/16W	
R627			RK73GB1J822J	CHIP R 8.2K J 1/16W		R767			RK73GB1J103J	CHIP R 10K J 1/16W	
R628			RK73GB1J153J	CHIP R 15K J 1/16W		R768			RK73GB1J471J	CHIP R 470 J 1/16W	
R629			RK73GB1J181J	CHIP R 180 J 1/16W		R769			RK73GB1J223J	CHIP R 22K J 1/16W	
R630			RK73GB1J221J	CHIP R 220 J 1/16W		R770			RK73GB1J472J	CHIP R 4.7K J 1/16W	
R631			RK73GB1J103J	CHIP R 10K J 1/16W		R771			RK73GB1J104J	CHIP R 100K J 1/16W	
R632-639			RK73GB1J331J	CHIP R 330 J 1/16W		R772			RK73GB1J684J	CHIP R 680K J 1/16W	
R640			RK73GB1J222J	CHIP R 2.2K J 1/16W		R773			RK73GB1J391J	CHIP R 390 J 1/16W	
R641			RK73GB1J101J	CHIP R 100 J 1/16W		R774			RK73GB1J101J	CHIP R 100 J 1/16W	
R642			RK73GB1J222J	CHIP R 2.2K J 1/16W		R775			RK73GB1J392J	CHIP R 3.9K J 1/16W	
R643,644			RK73GB1J102J	CHIP R 1.0K J 1/16W		R776			RK73GB1J562J	CHIP R 5.6K J 1/16W	

K : TS-2000 (K) KX : TS-2000X (K)
E : TS-2000 (E) E2 : TS-2000 (E2)

PARTS LIST

TX-RX 1 UNIT (X57-605X-XX)

Ref. No.	Address	New parts	Parts No.	Description	Destination	Ref. No.	Address	New parts	Parts No.	Description	Destination
R777			RK73GB1J473J	CHIP R 47K J 1/16W		D4			RLS245	DIODE	
R778			RK73GB1J184J	CHIP R 180K J 1/16W		D5			V08(G)	DIODE	
R779			RK73GB1J102J	CHIP R 1.0K J 1/16W		D6			RLS245	DIODE	
R780			RK73GB1J101J	CHIP R 100 J 1/16W		D7,8			RN731V	DIODE	
R781			RK73GB1J152J	CHIP R 1.5K J 1/16W		D9			V08(G)	DIODE	
R782			RK73GB1J124J	CHIP R 120K J 1/16W		D10			LFB01	DIODE	
R783			RK73GB1J471J	CHIP R 470 J 1/16W		D11,12			RN731V	DIODE	
R785,786			RK73GB1J2R2J	CHIP R 2.2 J 1/16W		D13			LFB01	DIODE	
R787			RK73FB2A473J	CHIP R 47K J 1/10W		D14			RN731V	DIODE	
R800			RK73FB2A681J	CHIP R 680 J 1/10W		D15			LFB01	DIODE	
R801			RK73FB2A222J	CHIP R 2.2K J 1/10W		D16			RN731V	DIODE	
R802			RK73FB2A681J	CHIP R 680 J 1/10W		D17			LFB01	DIODE	
R803			RK73FB2A102J	CHIP R 1.0K J 1/10W		D18			RN731V	DIODE	
R804			RK73FB2A681J	CHIP R 680 J 1/10W		D19			LFB01	DIODE	
R805			RK73FB2A682J	CHIP R 6.8K J 1/10W		D20			RN731V	DIODE	
R806			RK73FB2A681J	CHIP R 680 J 1/10W		D21			LFB01	DIODE	
R807			RK73FB2A102J	CHIP R 1.0K J 1/10W		D22			RN731V	DIODE	
R808			RK73FB2A681J	CHIP R 680 J 1/10W		D23			LFB01	DIODE	
R809			RK73FB2A222J	CHIP R 2.2K J 1/10W		D24			RN731V	DIODE	
R818-822			RK73GB1J101J	CHIP R 100 J 1/16W		D25,26			LFB01	DIODE	
R823			R92-1252-05	CHIP R 0 OHM		D27			RN731V	DIODE	
R824			R92-0670-05	CHIP R 0 OHM		D28			LFB01	DIODE	
R841			RK73GB1J473J	CHIP R 47K J 1/16W		D29			RN731V	DIODE	
R842			R92-1252-05	CHIP R 0 OHM		D30			LFB01	DIODE	
R846-853			RK73GB1J101J	CHIP R 100 J 1/16W		D31			RN731V	DIODE	
R855-862			RK73GB1J101J	CHIP R 100 J 1/16W		D32			LFB01	DIODE	
R864			RK73GB1J101J	CHIP R 100 J 1/16W		D33			RN731V	DIODE	
R867-871			RK73FB2A680J	CHIP R 68 J 1/10W		D34-36			LFB01	DIODE	
R872			RK73GB1J103J	CHIP R 10K J 1/16W		D38,39			LFB01	DIODE	
R873			RK73GB1J101J	CHIP R 100 J 1/16W		D40-42			DAN235E	DIODE	
R874			RK73GB1J103J	CHIP R 10K J 1/16W		D45,46			DAN235E	DIODE	
R875			RK73GB1J101J	CHIP R 100 J 1/16W		D47			HSC277	DIODE	
R876			RK73GB1J103J	CHIP R 10K J 1/16W		D48			DAN202U	DIODE	
R877			RK73GB1J101J	CHIP R 100 J 1/16W		D49,50			HSC277	DIODE	
R878			RK73GB1J103J	CHIP R 10K J 1/16W		D52,53			HSC277	DIODE	
R879-881			RK73GB1J101J	CHIP R 100 J 1/16W		D55-58			HSC277	DIODE	
R884,885			RK73GB1J103J	CHIP R 10K J 1/16W		D60-62			HSC277	DIODE	
R886			RK73GB1J473J	CHIP R 47K J 1/16W		D64			HSC277	DIODE	
R887-898			RK73GB1J101J	CHIP R 100 J 1/16W		D65			DAN202U	DIODE	
R899			RK73FB2A680J	CHIP R 68 J 1/10W		D66			RB706F-40	DIODE	
R950,951			R92-1205-05	CHIP R 120 J 1/4W		D67-69			MA2S111	DIODE	
R952-955			RK73FB2A470J	CHIP R 47 J 1/10W		D70,71			DAP202U	DIODE	
R956-960			RK73FB2A681J	CHIP R 680 J 1/10W		D73			MA2S111	DIODE	
R962			RK73GB1J473J	CHIP R 47K J 1/16W		D75			LFB01	DIODE	
R964			RK73GB1J473J	CHIP R 47K J 1/16W		D76-79			HVC350B	VARIABLE CAPACITANCE DIODE	
VR1			R12-6711-05	TRIMMING POT. (4.7K)		D80			DAN235E	DIODE	
VR2			R12-6707-05	TRIMMING POT. (1.0K)		D81			HSC277	DIODE	
VR3			R12-6717-05	TRIMMING POT. (47K)		D82			RN739D	DIODE	
VR4			R12-6711-05	TRIMMING POT. (4.7K)		D83			DAN202U	DIODE	
VR950		*	R31-0633-05	VARIABLE RESISTOR		D84			RN739D	DIODE	
VR951		*	R31-0637-05	VARIABLE RESISTOR		D85			MA2S111	DIODE	
VR952		*	R31-0634-05	VARIABLE RESISTOR		D87-89			MA2S111	DIODE	
K1,2			S51-1428-05	RELAY		D90			DAN235E	DIODE	
K3		*	S76-0423-05	RELAY		D91			HVC350B	VARIABLE CAPACITANCE DIODE	
S1			S62-0412-05	SLIDE SWITCH		D92-95			DAN202U	DIODE	
S800-842		*	S70-0475-05	TACT SWITCH		D96			UDZ6.2(B)	ZENER DIODE	
D1			LFB01	DIODE		D97			1SS226	DIODE	
D2			DSP-301N	SURGE ABSORBER		D98			LFB01	DIODE	
D3			LFB01	DIODE		D99			DAN202U	DIODE	
						D100			02DZ5.1(Y)	ZENER DIODE	

PARTS LIST

TX-RX 1 UNIT (X57-605X-XX)

Ref. No.	Address	New parts	Parts No.	Description	Destination	Ref. No.	Address	New parts	Parts No.	Description	Destination
D101		*	MINISMDC050-02	VARISTOR		Q11			DTA124EKA	DIGITAL TRANSISTOR	
D102			UDZ10(B)	ZENER DIODE		Q12			2SK2596	FET	
D103,104			DAP202U	DIODE		Q13			2SC3357	TRANSISTOR	
D106			MA2S111	DIODE		Q14			2SB1132(Q,R)	TRANSISTOR	
D107			UDZ10(B)	ZENER DIODE		Q15			FMG1	DIGITAL TRANSISTOR	
D108			DTZ3.3(A)	ZENER DIODE		Q16,17		*	DTA124EKA	DIGITAL TRANSISTOR	
D109,110			DAP202U	DIODE		Q18			3SK131(M)	FET	
D111			MA2S111	DIODE		Q19,20			2SK520(K43)	FET	
D112-114			02DZ5.1(Y)	ZENER DIODE		Q21			FMG1	DIGITAL TRANSISTOR	
D115,116			RB751V-40	DIODE		Q22			2SC4617(R)	TRANSISTOR	
D117,118			MA2S111	DIODE		Q25			3SK131(M)	FET	
D119-124			RB751V-40	DIODE		Q26			UMW1	TRANSISTOR	
D130			XB15A204	DIODE		Q27			2SC4617(R)	TRANSISTOR	
D700			1SS355	DIODE		Q28			2SC4617(Q)	TRANSISTOR	
D701,702			DAN202U	DIODE		Q29			2SC4617(R)	TRANSISTOR	
D703			HVC350B	VARIABLE CAPACITANCE DIODE		Q30			2SC4617(Q)	TRANSISTOR	
D704,705			LF801	DIODE		Q31			DTA114EKA	DIGITAL TRANSISTOR	
D706			DAN202U	DIODE		Q32			2SC4617(R)	TRANSISTOR	
D707			MA742	DIODE		Q33			FMG1	DIGITAL TRANSISTOR	
D708			MA2S111	DIODE		Q34		*	DTA124EKA	DIGITAL TRANSISTOR	
D709			DTZ3.9(B)	ZENER DIODE		Q37			UMC2N	TRANSISTOR	
D710,711			MA2S111	DIODE		Q38			3SK131(M)	FET	
D712,713			DA221	DIODE		Q40			DTC114EKA	DIGITAL TRANSISTOR	
D714			MA2S077	DIODE		Q41,42			2SC4617(R)	TRANSISTOR	
D715			HVC350B	VARIABLE CAPACITANCE DIODE		Q43			2SK2596	FET	
D716			MA2S111	DIODE		Q44,45			3SK241(R)	FET	
D717			DAP202U	DIODE		Q46,47			3SK131(M)	FET	
D719,720			02DZ5.1(Y)	ZENER DIODE		Q48			2SC4617(R)	TRANSISTOR	
D721			MA729	DIODE		Q49			3SK131(M)	FET	
D805-809			1SS355	DIODE		Q51			UMC2N	TRANSISTOR	
D950-952			1SS355	DIODE		Q52			2SC4617(R)	TRANSISTOR	
IC1			TA31136FN	IC		Q53			UMC2N	TRANSISTOR	
IC2			NJM2904M	IC		Q54			2SC4617(R)	TRANSISTOR	
IC3			TC74HC4053AFT	IC		Q57			DTA114EKA	DIGITAL TRANSISTOR	
IC4			NJM2904M	IC		Q58			UMW1	TRANSISTOR	
IC5			BU2099FV	IC		Q59			2SC4617(R)	TRANSISTOR	
IC6		*	TA4101F	IC		Q60			DTC114EKA	DIGITAL TRANSISTOR	
IC7			TC4W53FU	IC		Q61,62			2SC4617(R)	TRANSISTOR	
IC8			BU4066BCFV	IC		Q63			UMW1	TRANSISTOR	
IC9			LA4446	IC		Q64			2SA1037K(R)	TRANSISTOR	
IC10			ADM202EARU	IC		Q65			2SB1188(Q,R)	TRANSISTOR	
IC10			ADM3202ARU	IC		Q66,67			DTC114EKA	DIGITAL TRANSISTOR	
IC11			TC74HC4050AFT	IC		Q69			2SC4617(R)	TRANSISTOR	
IC12			NJM2902M	IC		Q70			2SB1132(Q,R)	TRANSISTOR	
IC13			NJM2904M	IC		Q71,72			FMG1	DIGITAL TRANSISTOR	
IC14			M62363FP	IC		Q73,74			2SC4617(Q)	TRANSISTOR	
IC15			M62364FP	IC		Q75			DTC114EKA	DIGITAL TRANSISTOR	
IC16,17			BU2099FV	IC		Q76,77			2SC4617(Q)	TRANSISTOR	
IC18			NJM5532M	IC		Q78			2SK208(Y)	FET	
IC19			NJM2904M	IC		Q79			2SC4617(Q)	TRANSISTOR	
IC601-603			AD9835BRU	IC		Q80			2SB1188(Q,R)	TRANSISTOR	
IC604			TC7S04FU	IC		Q81			FMG1	DIGITAL TRANSISTOR	
IC605			NJM78L08UA	IC		Q82,83			2SB1188(Q,R)	TRANSISTOR	
IC801		*	30624FGAGJYDAK	IC		Q84			FMG1	DIGITAL TRANSISTOR	
Q1			DTC114EKA	DIGITAL TRANSISTOR		Q85,86			2SB1188(Q,R)	TRANSISTOR	
Q2			2SB1188(Q,R)	TRANSISTOR		Q87			FMG1	DIGITAL TRANSISTOR	
Q3			DTC114EKA	DIGITAL TRANSISTOR		Q88,89			2SB1188(Q,R)	TRANSISTOR	
Q4,5		*	DTA124EKA	DIGITAL TRANSISTOR		Q90			FMG1	DIGITAL TRANSISTOR	
Q6			DTA114EKA	DIGITAL TRANSISTOR		Q91			2SB1188(Q,R)	TRANSISTOR	
Q7-10			2SK520(K44)	FET		Q92			FMG1	DIGITAL TRANSISTOR	

K : TS-2000 (K) KX : TS-2000X (K)
E : TS-2000 (E) E2 : TS-2000 (E2)

PARTS LIST

TX-RX 1 UNIT (X57-605X-XX)

TX-RX 2 UNIT (X57-606X-XX)

Ref. No.	Address	New parts	Parts No.	Description	Destination	Ref. No.	Address	New parts	Parts No.	Description	Destination
Q93-95			2SC4617(R)	TRANSISTOR		C27			CK73GB1H471K	CHIP C 470PF	K
Q96			FMG1	DIGITAL TRANSISTOR		C28			CK73GB1H102K	CHIP C 1000PF	K
Q97			2SD1624(S)	TRANSISTOR		C29			CK73GB1H471K	CHIP C 470PF	K
Q101-112			DTA114EKA	DIGITAL TRANSISTOR		C30			CK73GB1C104K	CHIP C 0.10UF	K
Q601-606			2SC4617(R)	TRANSISTOR		C31,32			CK73GB1H102K	CHIP C 1000PF	K
Q607,608			DTC114EKA	DIGITAL TRANSISTOR							
Q609			DTC124EKA	DIGITAL TRANSISTOR		C33			CK73GB1H471K	CHIP C 470PF	K
Q700,701			3SK131(M)	FET		C34			CK73GB1H102K	CHIP C 1000PF	K
						C35			CK73GB1H103K	CHIP C 0.010UF	K
Q702,703			DTC114EKA	DIGITAL TRANSISTOR		C36,37			CK73GB1H102K	CHIP C 1000PF	K
Q704			DTC124EKA	DIGITAL TRANSISTOR		C39			CK73GB1H471K	CHIP C 470PF	K
Q705			2SK2596	FET							
Q706			2SB1132(Q,R)	TRANSISTOR		C40			CK73GB1H102K	CHIP C 1000PF	K
Q707,708			FMG1	DIGITAL TRANSISTOR		C41			C92-0625-05	ELECTRO 4.7UF 25WV	
						C42			CK73GB1H102K	CHIP C 1000PF	K
Q709			2SC4617(Q)	TRANSISTOR		C43			CK73GB1H471K	CHIP C 470PF	K
Q710			2SC4617(S)	TRANSISTOR		C44,45			CK73GB1H102K	CHIP C 1000PF	K
Q711			2SC4617(R)	TRANSISTOR							
Q712			DTC124EKA	DIGITAL TRANSISTOR		C46			CK73GB1H471K	CHIP C 470PF	K
Q714			DTC124EKA	DIGITAL TRANSISTOR		C47			CC73GCH1HR75B	CHIP C 0.75PF	B
						C48			CK73GB1H103K	CHIP C 0.010UF	K
Q715			2SC4617(R)	TRANSISTOR		C49-51			CK73GB1H102K	CHIP C 1000PF	K
Q800			DTC114EE	DIGITAL TRANSISTOR		C52			CC73GCH1H040B	CHIP C 4.0PF	B
Q801			2SA1641(S,T)	TRANSISTOR							
Q802			DTC114EE	DIGITAL TRANSISTOR		C53			C92-0625-05	ELECTRO 4.7UF 25WV	
Q803			2SC2712(Y)	TRANSISTOR		C54			CK73GB1H102K	CHIP C 1000PF	K
						C55			CK73GB1H471K	CHIP C 470PF	K
Q804			DTC114EE	DIGITAL TRANSISTOR		C56			CK73GB1H102K	CHIP C 1000PF	K
Q805			2SA1162(Y)	TRANSISTOR		C57			CK73GB1H471K	CHIP C 470PF	K
Q806			DTC114EE	DIGITAL TRANSISTOR							
Q808			DTC114EE	DIGITAL TRANSISTOR		C58,59			CK73GB1H102K	CHIP C 1000PF	K
Q811			DTC114EE	DIGITAL TRANSISTOR		C60,61			CK73GB1H471K	CHIP C 470PF	K
						C62			CK73GB1H102K	CHIP C 1000PF	K
Q813			DTC114EE	DIGITAL TRANSISTOR		C63			CC73GCH1H080B	CHIP C 8.0PF	B
Q815			DTC114EE	DIGITAL TRANSISTOR		C64			CK73GB1H102K	CHIP C 1000PF	K
Q817			DTC114EE	DIGITAL TRANSISTOR							
Q819,820			DTC114EE	DIGITAL TRANSISTOR		C65			CC73GCH1H390J	CHIP C 39PF	J
Q822			DTC114EE	DIGITAL TRANSISTOR		C66			CC73GCH1H010B	CHIP C 1.0PF	B
						C67			CC73GCH1H100D	CHIP C 10PF	D
TH1,2			157-502-65001	THERMISTOR		C68			CK73GB1H471K	CHIP C 470PF	K
TH3			157-302-65801	THERMISTOR		C69			CC73GCH1H080B	CHIP C 8.0PF	B
TH5,6			157-302-65801	THERMISTOR							
TH7,8			157-102-65001	THERMISTOR		C70			CC73GCH1H120J	CHIP C 12PF	J
TH9			157-502-65001	THERMISTOR		C71			CK73GB1H102K	CHIP C 1000PF	K
						C73			CK73GB1H103K	CHIP C 0.010UF	K
S902		*	W02-1985-05	ENCODER		C74,75			CK73GB1H102K	CHIP C 1000PF	K
S903		*	W02-1988-05	ENCODER		C76			CC73GCH1H070B	CHIP C 7.0PF	B
S904		*	W02-1989-05	ENCODER							
TX-RX 2 UNIT (X57-606X-XX) 0-11 : K,KX 2-71 : E,E2											
C1			CC73GCH1H120J	CHIP C 12PF	J				CC73GCH1H0R3B	CHIP C 0.3PF	B
C2			CC73GCH1H0R5B	CHIP C 0.5PF	B	C77			CK73GB1H471K	CHIP C 470PF	K
C3			CC73GCH1H040B	CHIP C 4.0PF	B	C78			CC73GCH1H050B	CHIP C 5.0PF	B
C4			CC73GCH1H070B	CHIP C 7.0PF	B	C79			CK73GB1H102K	CHIP C 1000PF	K
C5			CK73GB1H102K	CHIP C 1000PF	K	C80			CK73GB1H471K	CHIP C 470PF	K
						C81					
C6			CC73GCH1H120J	CHIP C 12PF	J				CK73GB1H102K	CHIP C 1000PF	K
C8			CC73GCH1H120J	CHIP C 12PF	J	C82			CC73GCH1H040B	CHIP C 4.0PF	B
C8			CC73GCH1H220J	CHIP C 22PF	J	C83			CC73GCH1H150J	CHIP C 15PF	J
C9-13			CK73GB1H102K	CHIP C 1000PF	K	C84			CK73GB1H102K	CHIP C 1000PF	K
C14			CK73GB1H471K	CHIP C 470PF	K	C85			CK73GB1H102K	CHIP C 1000PF	K
						C86			CK73GB1H471K	CHIP C 470PF	K
C15			CK73GB1H102K	CHIP C 1000PF	K						
C16			CK73GB1H471K	CHIP C 470PF	K	C88			CK73GB1H102K	CHIP C 1000PF	K
C18,19			CK73GB1H102K	CHIP C 1000PF	K	C89			CC73GCH1H060B	CHIP C 6.0PF	B
C21			CK73GB1H471K	CHIP C 470PF	K	C92			CC73GCH1H070B	CHIP C 7.0PF	B
C22			CK73GB1H102K	CHIP C 1000PF	K	C94			CK73GB1H102K	CHIP C 1000PF	K
						C95			CC73GCH1H030B	CHIP C 3.0PF	B
C23,24			CK73GB1H471K	CHIP C 470PF	K						
C25,26			CC73GCH1H101J	CHIP C 100PF	J	C96			CK73GB1H471K	CHIP C 470PF	K
						C97			CC73GCH1H0R5B	CHIP C 0.5PF	B
						C98			CC73GCH1H040B	CHIP C 4.0PF	B
						C99			CC73GCH1H0R5B	CHIP C 0.5PF	B
						C100			CC73GCH1H040B	CHIP C 4.0PF	B

PARTS LIST

TX-RX 2 UNIT (X57-606X-XX)

Ref. No.	Address	New parts	Parts No.	Description	Destination	Ref. No.	Address	New parts	Parts No.	Description	Destination
C101			CK73GB1H471K	CHIP C 470PF K		C172			CC73GCH1H0R3B	CHIP C 0.3PF B	
C102			CC73GCH1H0R5B	CHIP C 0.5PF B		C173			CC73GCH1H030B	CHIP C 3.0PF B	
C103			CC73GCH1H0R3B	CHIP C 0.3PF B		C174,175			CK73GB1H102K	CHIP C 1000PF K	
C104			CC73GCH1H050B	CHIP C 5.0PF B		C176			CK73GB1H471K	CHIP C 470PF K	
C105,106			CK73GB1H102K	CHIP C 1000PF K		C177			CC73GCH1H470J	CHIP C 47PF J	
C107			CC73GCH1H050B	CHIP C 5.0PF B		C178			CC73GCH1H0R3B	CHIP C 0.3PF B	
C108			CC73GCH1H270J	CHIP C 27PF J		C179			CC73GCH1H150J	CHIP C 15PF J	
C109			CC73GCH1H070B	CHIP C 7.0PF B		C180			CK73GB1H102K	CHIP C 1000PF K	
C110			CK73GB1H103K	CHIP C 0.010UF K		C181			CC73GCH1H050B	CHIP C 5.0PF B	
C111			CC73GCH1H050B	CHIP C 5.0PF B		C182			CC73GCH1H090B	CHIP C 9.0PF B	
C112			CC73GCH1H100D	CHIP C 10PF D		C183			CK73GB1H102K	CHIP C 1000PF K	
C113			CK73GB1H102K	CHIP C 1000PF K		C184			CK73GB1H471K	CHIP C 470PF K	
C114			CK73GB1H471K	CHIP C 470PF K		C185			CC73GCH1H050B	CHIP C 5.0PF B	
C115			CC73GCH1H180J	CHIP C 18PF J		C186			CC73GCH1H0R3B	CHIP C 0.3PF B	
C116			CC73GCH1H0R3B	CHIP C 0.3PF B		C187			CK73GB1H103K	CHIP C 0.010UF K	
C117,118			CK73GB1H102K	CHIP C 1000PF K		C188			CC73GCH1H100D	CHIP C 10PF D	
C119			CC73GCH1H180J	CHIP C 18PF J		C189			CC73GCH1H0R3B	CHIP C 0.3PF B	
C120			CK73GB1H102K	CHIP C 1000PF K		C190			CC73GCH1H100D	CHIP C 10PF D	
C123			CK73GB1H102K	CHIP C 1000PF K		C191			CK73FB1C105K	CHIP C 1.0UF K	
C124			CC73GCH1H120J	CHIP C 12PF J		C192			CC73GCH1H040B	CHIP C 4.0PF B	
C125			CC73GCH1H060B	CHIP C 6.0PF B		C193,194			CK73GB1H102K	CHIP C 1000PF K	
C126			CK73GB1H102K	CHIP C 1000PF K		C195			CK73GB1H103K	CHIP C 0.010UF K	
C127			CK73GB1H471K	CHIP C 470PF K		C196-199			CK73GB1H102K	CHIP C 1000PF K	
C128			CC73GCH1H020B	CHIP C 2.0PF B		C200,201			CK73GB1H471K	CHIP C 470PF K	
C129			CK73GB1H471K	CHIP C 470PF K		C202,203			CC73GCH1H040B	CHIP C 4.0PF B	
C130			CK73GB1H102K	CHIP C 1000PF K		C204			CC73GCH1H2R5B	CHIP C 2.5PF B	
C131-133			CK73GB1H471K	CHIP C 470PF K		C205			CK73GB1H471K	CHIP C 470PF K	
C134			CC73GCH1H050B	CHIP C 5.0PF B		C206,207			CK73GB1H102K	CHIP C 1000PF K	
C135			CC73GCH1H060B	CHIP C 6.0PF B		C208,209			CK73GB1H471K	CHIP C 470PF K	
C136,137			CK73GB1H102K	CHIP C 1000PF K		C210			CK73FB1C105K	CHIP C 1.0UF K	
C138			CK73GB1H471K	CHIP C 470PF K		C211			CK73GB1H471K	CHIP C 470PF K	
C139,140			CK73GB1H102K	CHIP C 1000PF K		C212			CK73GB1H102K	CHIP C 1000PF K	
C141			CK73GB1H471K	CHIP C 470PF K		C213			CK73GB1C104K	CHIP C 0.10UF K	
C142			CC73GCH1H040B	CHIP C 4.0PF B		C214-219			CK73GB1H102K	CHIP C 1000PF K	
C143,144			CK73GB1H102K	CHIP C 1000PF K		C220-222			CK73GB1C104K	CHIP C 0.10UF K	
C145			CK73GB1H471K	CHIP C 470PF K		C224			CC73GCH1H100D	CHIP C 10PF D	
C146			CC73GCH1H101J	CHIP C 100PF J		C225			CK73GB1C104K	CHIP C 0.10UF K	
C147			CC73GCH1H080B	CHIP C 8.0PF B		C227			CC73GCH1H020B	CHIP C 2.0PF B	
C148			CC73GCH1H050B	CHIP C 5.0PF B		C232			CK73GB1H102K	CHIP C 1000PF K	
C150			CC73GCH1H0R5B	CHIP C 0.5PF B		C233			CC73GCH1H220J	CHIP C 22PF J	
C151			CC73GCH1H120J	CHIP C 12PF J		C234			CC73GCH1H270J	CHIP C 27PF J	
C152			CK73GB1H471K	CHIP C 470PF K		C235			CK73GB1H102K	CHIP C 1000PF K	
C153			CC73GCH1H101J	CHIP C 100PF J		C238			CK73GB1H102K	CHIP C 1000PF K	
C154			CK73GB1H102K	CHIP C 1000PF K		C239			CK73GB1H471K	CHIP C 470PF K	
C155			CC73GCH1H040B	CHIP C 4.0PF B		C240			CC73GCH1H050B	CHIP C 5.0PF B	
C156			CK73GB1H102K	CHIP C 1000PF K		C241			CC73GCH1H150J	CHIP C 15PF J	
C157			CC73GCH1H040B	CHIP C 4.0PF B		C242,243			CK73GB1H102K	CHIP C 1000PF K	
C158			CC73GCH1H060B	CHIP C 6.0PF B		C245			CK73GB1H102K	CHIP C 1000PF K	
C159			CK73GB1H102K	CHIP C 1000PF K		C246			CC73GCH1H030B	CHIP C 3.0PF B	
C160			CC73GCH1H040B	CHIP C 4.0PF B		C247			CK73GB1H471K	CHIP C 470PF K	
C161			CK73GB1H471K	CHIP C 470PF K		C248			CC73GCH1H150J	CHIP C 15PF J	
C162,163			CC73GCH1H050B	CHIP C 5.0PF B		C249			CC73GCH1H050B	CHIP C 5.0PF B	E,E2
C164			CC73GCH1H0R5B	CHIP C 0.5PF B		C249			CC73GCH1H100D	CHIP C 10PF D	K,KX
C165			CC73GCH1H020B	CHIP C 2.0PF B		C250			CK73GB1H471K	CHIP C 470PF K	
C166			CC73GCH1H070B	CHIP C 7.0PF B		C251			CK73GB1C104K	CHIP C 0.10UF K	
C167			CK73GB1H471K	CHIP C 470PF K		C252			CC73GCH1H070B	CHIP C 7.0PF B	
C168			CC73GCH1H040B	CHIP C 4.0PF B		C253			CK73GB1H103K	CHIP C 0.010UF K	
C169			CK73GB1H102K	CHIP C 1000PF K		C254			CC73GCH1H030B	CHIP C 3.0PF B	
C170			CC73GCH1H060B	CHIP C 6.0PF B		C255			CK73GB1H103K	CHIP C 0.010UF K	
C171			CC73GCH1H120J	CHIP C 12PF J		C256			CC73GCH1H120J	CHIP C 12PF J	

K : TS-2000 (K) KX : TS-2000X (K)
E : TS-2000 (E) E2 : TS-2000 (E2)

PARTS LIST

TX-RX 2 UNIT (X57-606X-XX)

Ref. No.	Address	New parts	Parts No.	Description	Destination	Ref. No.	Address	New parts	Parts No.	Description	Destination
C257			CK73GB1H102K	CHIP C 1000PF K		C339			CK73GB1H103K	CHIP C 0.010UF K	
C258			CK73GB1H103K	CHIP C 0.010UF K		C340			CC73GCH1H221J	CHIP C 220PF J	
C259			CK73GB1H102K	CHIP C 1000PF K		C341			CK73GB1H471K	CHIP C 470PF K	
C260			CK73GB1H103K	CHIP C 0.010UF K		C342,343			CK73GB1C104K	CHIP C 0.10UF K	
C261			CK73GB1H102K	CHIP C 1000PF K		C345			CK73GB1H103K	CHIP C 0.010UF K	
C262,263			CK73GB1H103K	CHIP C 0.010UF K		C346			CK73GB1C473K	CHIP C 0.047UF K	
C264,265			CK73GB1H102K	CHIP C 1000PF K		C347			CK73GB1H472K	CHIP C 4700PF K	
C266			CK73GB1H103K	CHIP C 0.010UF K		C348			CC73GCH1H271J	CHIP C 270PF J	
C267			CK73GB1C104K	CHIP C 0.10UF K		C349			CK73GB1C104K	CHIP C 0.10UF K	
C268			CC73GCH1H390J	CHIP C 39PF J		C350			CK73GB1H103K	CHIP C 0.010UF K	
C269			CK73GB1H103K	CHIP C 0.010UF K		C352			CK73GB1C473K	CHIP C 0.047UF K	
C270			CK73GB1H102K	CHIP C 1000PF K		C353			CK73GB1H103K	CHIP C 0.010UF K	
C271			CC73GCH1H150J	CHIP C 15PF J		C357			CK73GB1E223K	CHIP C 0.022UF K	
C272			CK73GB1H102K	CHIP C 1000PF K		C358			CK73GB1C473K	CHIP C 0.047UF K	
C274			CK73GB1H471K	CHIP C 470PF K		C359			CK73GB1H103K	CHIP C 0.010UF K	
C276			CK73GB1H471K	CHIP C 470PF K		C360			CK73GB1C104K	CHIP C 0.10UF K	
C277			CC73GCH1H150J	CHIP C 15PF J		C361			CC73GCH1H330J	CHIP C 33PF J	
C278			CK73GB1H103K	CHIP C 0.010UF K		C362			CK73FB1C105K	CHIP C 1.0UF K	
C279			CC73GCH1H010B	CHIP C 1.0PF B		C363			C92-0610-05	ELECTRO 47UF 16WV	
C280			CK73FB1C105K	CHIP C 1.0UF K		C364,365			CK73FB1C105K	CHIP C 1.0UF K	
C281			CK73GB1C104K	CHIP C 0.10UF K		C366			CK73GB1H103K	CHIP C 0.010UF K	
C282			CC73GCH1H200J	CHIP C 20PF J		C368			C92-0628-05	CHIP-TAN 10UF 10WV	
C283			CC73GCH1H030B	CHIP C 3.0PF B		C372-375			CK73GB1H102K	CHIP C 1000PF K	
C284-287			CK73GB1H103K	CHIP C 0.010UF K		C376			CC73GCH1H060B	CHIP C 6.0PF B	
C288			CK73GB1H102K	CHIP C 1000PF K		C377			CC73GCH1H330J	CHIP C 33PF J	
C289			CK73GB1C104K	CHIP C 0.10UF K	E,E2	C378			CC73GCH1H060B	CHIP C 6.0PF B	
C290-292			CK73GB1H103K	CHIP C 0.010UF K		C379			CC73GCH1H050B	CHIP C 5.0PF B	
C293,294			CK73FB1C105K	CHIP C 1.0UF K		C382			CC73GCH1H050B	CHIP C 5.0PF B	
C295			CK73GB1H103K	CHIP C 0.010UF K		C383			CK73GB1H102K	CHIP C 1000PF K	
C296			CC73GCH1H060B	CHIP C 6.0PF B		C384			CC73GCH1H0R5B	CHIP C 0.5PF B	
C297,298			CK73GB1H103K	CHIP C 0.010UF K		C385			CC73GCH1H010B	CHIP C 1.0PF B	
C299			CK73GB1H471K	CHIP C 470PF K		C386			CC73GCH1H050B	CHIP C 5.0PF B	
C300			CK73GB1H102K	CHIP C 1000PF K		C387			CC73GCH1H180J	CHIP C 18PF J	K,KX
C301			CK73GB1H103K	CHIP C 0.010UF K		C387			CC73GCH1H470J	CHIP C 47PF J	E,E2
C303			CK73GB1C104K	CHIP C 0.10UF K		C389,390			CK73GB1C104K	CHIP C 0.10UF K	
C304-307			CK73GB1H103K	CHIP C 0.010UF K		C391			C92-0628-05	CHIP-TAN 10UF 10WV	
C308,309			CK73GB1C104K	CHIP C 0.10UF K	E,E2	C393-399			CK73GB1H102K	CHIP C 1000PF K	
C309			CK73GB1C104K	CHIP C 0.10UF K	K,KX	C420			CK73GB1H472K	CHIP C 4700PF K	
C310			CK73GB1H103K	CHIP C 0.010UF K		C421			C92-0628-05	CHIP-TAN 10UF 10WV	
C312			CK73GB1C104K	CHIP C 0.10UF K		C422			C92-0543-05	CHIP-TAN 3.3UF 10WV	
C314,315			CK73GB1H103K	CHIP C 0.010UF K		C423,424			CK73GB1H102K	CHIP C 1000PF K	
C316			CC73GCH1H120J	CHIP C 12PF J		C425			C92-0628-05	CHIP-TAN 10UF 10WV	
C317,318			CK73GB1H103K	CHIP C 0.010UF K		C427			CC73GCH1H180J	CHIP C 18PF J	
C319			CC73GCH1H200J	CHIP C 20PF J		C428			CC73GCH1H100D	CHIP C 10PF D	
C320			CK73GB1H103K	CHIP C 0.010UF K		C429			CK73GB1H102K	CHIP C 1000PF K	
C321			CC73GCH1H150J	CHIP C 15PF J		C431			CK73GB1H102K	CHIP C 1000PF K	
C322			CK73GB1H103K	CHIP C 0.010UF K		C432			C92-0543-05	CHIP-TAN 3.3UF 10WV	
C323			C92-0610-05	ELECTRO 47UF 16WV		C433			CK73GB1H471K	CHIP C 470PF K	
C324			CK73GB1H103K	CHIP C 0.010UF K		C434			CC73GCH1H080B	CHIP C 8.0PF B	
C325			CK73GB1C104K	CHIP C 0.10UF K		C435			CK73GB1H102K	CHIP C 1000PF K	
C326,327			CC73GCH1H030B	CHIP C 3.0PF B		C436			CK73GB1H471K	CHIP C 470PF K	
C328			CK73GB1C104K	CHIP C 0.10UF K		C437			CC73GCH1H060B	CHIP C 6.0PF B	
C329,330			CK73GB1H103K	CHIP C 0.010UF K		C438			CK73GB1H102K	CHIP C 1000PF K	
C331			CK73GB1C104K	CHIP C 0.10UF K		C439			CK73GB1C473K	CHIP C 0.047UF K	
C332			CK73GB1H102K	CHIP C 1000PF K		C440			CK73GB1H102K	CHIP C 1000PF K	
C333			CK73GB1H103K	CHIP C 0.010UF K		C441			CK73GB1C473K	CHIP C 0.047UF K	
C334			CK73GB1C104K	CHIP C 0.10UF K		C442			C92-0628-05	CHIP-TAN 10UF 10WV	
C335			CC73GCH1H270J	CHIP C 27PF J		C443			CC73GCH1H050B	CHIP C 5.0PF B	
C336			CK73GB1C104K	CHIP C 0.10UF K		C444			CK73GB1C473K	CHIP C 0.047UF K	
C338			CC73GCH1H221J	CHIP C 220PF J		C445			CC73GCH1H030B	CHIP C 3.0PF B	

PARTS LIST

TX-RX 2 UNIT (X57-606X-XX)

Ref. No.	Address	New parts	Parts No.	Description	Destination	Ref. No.	Address	New parts	Parts No.	Description	Destination
C446			CC73GCH1H020B	CHIP C 2.0PF B		C523			CK73GB1H472K	CHIP C 4700PF K	
C447			CK73GB1H103K	CHIP C 0.010UF K		C524			CC73GCH1H470J	CHIP C 47PF J	
C448,449			CK73GB1H102K	CHIP C 1000PF K		C525			CC73GCH1H100D	CHIP C 10PF D	
C453			CC73GCH1H070B	CHIP C 7.0PF B		C526			CK73GB1H102K	CHIP C 1000PF K	
C454			CC73GCH1H150J	CHIP C 15PF J		C527			CK73GB1C473K	CHIP C 0.047UF K	
C455			CK73GB1H103K	CHIP C 0.010UF K		C528			C92-0628-05	CHIP-TAN 10UF 10WV	
C456			CC73GCH1H180J	CHIP C 18PF J		C529			CK73GB1H472K	CHIP C 4700PF K	
C457			CC73GCH1H080B	CHIP C 8.0PF B		C530			CC73GCH1H070B	CHIP C 7.0PF B	
C458			CC73GCH1H070B	CHIP C 7.0PF B		C531			CK73GB1C473K	CHIP C 0.047UF K	
C459,460			CK73GB1H102K	CHIP C 1000PF K		C532			CC73GCH1H270J	CHIP C 27PF J	
C461			CK73GB1H472K	CHIP C 4700PF K		C533			CC73GCH1H101J	CHIP C 100PF J	
C462,463			CC73GCH1H180J	CHIP C 18PF J		C534			C92-1327-05	CHIP-TAN 100UF 10WV	
C464			CK73GB1C473K	CHIP C 0.047UF K		C535			CC73GCH1H820J	CHIP C 82PF J	
C465,466			CK73GB1H102K	CHIP C 1000PF K		C536			CK73GB1C473K	CHIP C 0.047UF K	
C467,468			CK73GB1H103K	CHIP C 0.010UF K		C537			CC73GCH1H020B	CHIP C 2.0PF B	
C469,470			CC73GCH1H0R5B	CHIP C 0.5PF B		C538			CK73GB1C473K	CHIP C 0.047UF K	
C471			C92-0628-05	CHIP-TAN 10UF 10WV		C539			C92-0628-05	CHIP-TAN 10UF 10WV	
C472			CC73GCH1H220J	CHIP C 22PF J		C540			CC73GCH1H150J	CHIP C 15PF J	
C473			C92-0628-05	CHIP-TAN 10UF 10WV		C541			CK73GB1C473K	CHIP C 0.047UF K	
C474			CK73GB1H471K	CHIP C 470PF K		C542			CC73GCH1H101J	CHIP C 100PF J	
C475,476			CK73GB1H102K	CHIP C 1000PF K		C543			CC73GCH1H080B	CHIP C 8.0PF B	
C477			CK73GB1H103K	CHIP C 0.010UF K		C544			CK73GB1H472K	CHIP C 4700PF K	
C478,479			CK73GB1H471K	CHIP C 470PF K		C545			CK73GB1H102K	CHIP C 1000PF K	
C481,482			CC73GCH1H040B	CHIP C 4.0PF B		C546			C92-1327-05	CHIP-TAN 100UF 10WV	
C483			CK73GB1H103K	CHIP C 0.010UF K		C547			CC73GCH1H470J	CHIP C 47PF J	
C484			CK73GB1H102K	CHIP C 1000PF K		C548			CC73GCH1H010B	CHIP C 1.0PF B	
C485			C92-0628-05	CHIP-TAN 10UF 10WV		C549			CC73GCH1H390J	CHIP C 39PF J	
C486,487			CC73GCH1H060B	CHIP C 6.0PF B		C550			CK73GB1H102K	CHIP C 1000PF K	
C488			CC73GCH1H390J	CHIP C 39PF J		C551			CC73GCH1H121J	CHIP C 120PF J	
C489			CK73GB1H103K	CHIP C 0.010UF K		C552			CK73GB1H102K	CHIP C 1000PF K	
C490			CK73GB1H472K	CHIP C 4700PF K		C554			CK73GB1H103K	CHIP C 0.010UF K	
C491,492			CC73GCH1H050B	CHIP C 5.0PF B		C555			CC73GCH1H070B	CHIP C 7.0PF B	
C494			CK73GB1H103K	CHIP C 0.010UF K		C556			CC73GCH1H181J	CHIP C 180PF J	
C495			CC73GCH1H470J	CHIP C 47PF J		C558			CK73GB1H103K	CHIP C 0.010UF K	
C496			CK73GB1H102K	CHIP C 1000PF K		C559,560			CK73GB1C473K	CHIP C 0.047UF K	
C497			CC73GCH1H060B	CHIP C 6.0PF B		C561			CC73GCH1H150J	CHIP C 15PF J	
C498			CK73GB1H102K	CHIP C 1000PF K		C562			CC73GCH1H470J	CHIP C 47PF J	
C499			CC73GCH1H060B	CHIP C 6.0PF B		C563			CC73GCH1H151J	CHIP C 150PF J	
C501			CK73GB1H471K	CHIP C 470PF K		C564			CC73GCH1H101J	CHIP C 100PF J	
C502			C92-0628-05	CHIP-TAN 10UF 10WV		C565			CK73GB1H103K	CHIP C 0.010UF K	
C503			CK73GB1H472K	CHIP C 4700PF K		C566			CC73GCH1H101J	CHIP C 100PF J	
C504			CK73GB1C473K	CHIP C 0.047UF K		C567			CK73GB1H103K	CHIP C 0.010UF K	
C505			CC73GCH1H270J	CHIP C 27PF J		C568			CK73GB1H472K	CHIP C 4700PF K	
C506			CC73GCH1H040B	CHIP C 4.0PF B		C569			CC73GCH1H470J	CHIP C 47PF J	
C507			CK73GB1H103K	CHIP C 0.010UF K		C570			CC73GCH1H151J	CHIP C 150PF J	
C508			CC73GCH1H470J	CHIP C 47PF J		C571			CK73GB1H332K	CHIP C 3300PF K	
C509			CK73GB1H471K	CHIP C 470PF K		C572,573			CK73GB1C473K	CHIP C 0.047UF K	
C510			CC73GCH1H101J	CHIP C 100PF J		C574			C92-0628-05	CHIP-TAN 10UF 10WV	
C511			CK73GB1H471K	CHIP C 470PF K		C576			CK73GB1H472K	CHIP C 4700PF K	
C512			CC73GCH1H390J	CHIP C 39PF J		C577			C92-0628-05	CHIP-TAN 10UF 10WV	
C513			C92-0001-05	CHIP C 0.1UF 35WV		C579			CK73GB1H472K	CHIP C 4700PF K	
C514			C92-0004-05	CHIP-TAN 1.0UF 16WV		C580			CK73GB1C473K	CHIP C 0.047UF K	
C515			CC73GCH1H101J	CHIP C 100PF J		C581			CC73GCH1H220J	CHIP C 22PF J	
C516			C92-0003-05	CHIP-TAN 0.47UF 25WV		C582			CC73GCH1H181J	CHIP C 180PF J	
C517			CC73GCH1H151J	CHIP C 150PF J		C583			C92-0628-05	CHIP-TAN 10UF 10WV	
C518			C92-0555-05	CHIP-TAN 0.047UF 35WV		C585			CK73GB1H472K	CHIP C 4700PF K	
C519			CK73GB1C473K	CHIP C 0.047UF K		C586-588			CK73GB1H103K	CHIP C 0.010UF K	
C520			CC73GCH1H151J	CHIP C 150PF J		C589,590			CK73GB1H102K	CHIP C 1000PF K	
C521			CK73GB1C473K	CHIP C 0.047UF K		C591			CC73GCH1H390J	CHIP C 39PF J	
C522			CC73GCH1H151J	CHIP C 150PF J		C592			CC73GCH1H270J	CHIP C 27PF J	

K : TS-2000 (K) KX : TS-2000X (K)
E : TS-2000 (E) E2 : TS-2000 (E2)

PARTS LIST

TX-RX 2 UNIT (X57-606X-XX)

Ref. No.	Address	New parts	Parts No.	Description	Destination	Ref. No.	Address	New parts	Parts No.	Description	Destination
C593-595			CK73GB1H103K	CHIP C 0.010UF K		C674			CC73GCH1H101J	CHIP C 100PF J	
C596,597			C92-0628-05	CHIP-TAN 10UF 10WV		C675			CK73GB1H471K	CHIP C 470PF K	
C598,599			CK73GB1C473K	CHIP C 0.047UF K		C676			CK73GB1C473K	CHIP C 0.047UF K	
C600			CK73GB1H102K	CHIP C 1000PF K		C677			CC73GCH1H151J	CHIP C 150PF J	
C601			CC73GCH1H020B	CHIP C 2.0PF B		C679			CK73GB1C473K	CHIP C 0.047UF K	
C602			C92-1327-05	CHIP-TAN 100UF 10WV		C680			CK73GB1H102K	CHIP C 1000PF K	
C603			CK73GB1C473K	CHIP C 0.047UF K		C681			CC73GCH1H070B	CHIP C 7.0PF B	
C605,606			CK73GB1C473K	CHIP C 0.047UF K		C682			CK73GB1H471K	CHIP C 470PF K	
C607,608			CC73GCH1H560J	CHIP C 56PF J		C683			CK73GB1H102K	CHIP C 1000PF K	
C609			CC73GCH1H150J	CHIP C 15PF J		C684			CK73GB1H471K	CHIP C 470PF K	
C610,611			CC73GCH1H240J	CHIP C 24PF J		C685			CC73GCH1H020B	CHIP C 2.0PF B	
C612			CK73GB1H103K	CHIP C 0.010UF K		C686			C92-0511-05	CHIP-TAN 0.15UF 35WV	
C613			CC73GCH1H101J	CHIP C 100PF J		C687			CK73GB1H102K	CHIP C 1000PF K	
C614			CC73GCH1H100D	CHIP C 10PF D		C688			CC73GCH1H150J	CHIP C 15PF J	
C615			CC73GCH1H101J	CHIP C 100PF J		C689			CK73GB1H102K	CHIP C 1000PF K	
C616,617			CK73GB1C473K	CHIP C 0.047UF K		C690			CC73GCH1H070B	CHIP C 7.0PF B	
C618,619			CC73GCH1H100D	CHIP C 10PF D		C691			CK73GB1H103K	CHIP C 0.010UF K	
C620			C92-0628-05	CHIP-TAN 10UF 10WV		C693,694			CK73GB1H472K	CHIP C 4700PF K	
C621-623			CK73GB1C473K	CHIP C 0.047UF K		C695			CC73GCH1H060B	CHIP C 6.0PF B	
C625			CK73GB1C473K	CHIP C 0.047UF K		C696			CK73GB1H102K	CHIP C 1000PF K	
C626			CC73GCH1H560J	CHIP C 56PF J		C698,699			C92-0628-05	CHIP-TAN 10UF 10WV	
C627			CC73GCH1H101J	CHIP C 100PF J		C700			CC73GCH1H150J	CHIP C 15PF J	
C628			CC73GCH1H040B	CHIP C 4.0PF B		C701			CC73GCH1H270J	CHIP C 27PF J	
C629			CC73GCH1H101J	CHIP C 100PF J		C702			CC73GCH1H180J	CHIP C 18PF J	
C630			CC73GCH1H820J	CHIP C 82PF J		C705			CK73GB1H102K	CHIP C 1000PF K	
C631			CC73GCH1H240J	CHIP C 24PF J		C706			CK73GB1H103K	CHIP C 0.010UF K	
C632,633			CC73GCH1H030B	CHIP C 3.0PF B		C707			CK73GB1H102K	CHIP C 1000PF K	
C634			CC73GCH1H470J	CHIP C 47PF J		C708,709			CK73GB1C473K	CHIP C 0.047UF K	
C636			CC73GCH1H390J	CHIP C 39PF J		C712			CC73GCH1H020B	CHIP C 2.0PF B	
C637			CK73GB1C473K	CHIP C 0.047UF K		C714			CK73GB1H103K	CHIP C 0.010UF K	
C638			CC73GCH1H070B	CHIP C 7.0PF B		C715			CK73GB1C473K	CHIP C 0.047UF K	
C639			CK73GB1C473K	CHIP C 0.047UF K		C716			CK73GB1H103K	CHIP C 0.010UF K	
C640			CC73GCH1H101J	CHIP C 100PF J		C717			C92-0628-05	CHIP-TAN 10UF 10WV	
C641			CC73GCH1H560J	CHIP C 56PF J		C718			CK73GB1C473K	CHIP C 0.047UF K	
C642			CK73GB1C473K	CHIP C 0.047UF K		C720,721			C92-0628-05	CHIP-TAN 10UF 10WV	
C643			CC73GCH1H560J	CHIP C 56PF J		C722,723			CC73GCH1H151J	CHIP C 150PF J	
C644			CC73GCH1H820J	CHIP C 82PF J		C724,725			CK73GB1C473K	CHIP C 0.047UF K	
C645			CK73GB1C473K	CHIP C 0.047UF K		C726			C92-1327-05	CHIP-TAN 100UF 10WV	
C646			CK73GB1H102K	CHIP C 1000PF K		C728			C92-0555-05	CHIP-TAN 0.047UF 35WV	
C647			CC73GCH1H120J	CHIP C 12PF J		C729			CK73GB1C473K	CHIP C 0.047UF K	
C648			CK73GB1H102K	CHIP C 1000PF K		C731			CC73GCH1H820J	CHIP C 82PF J	
C649			CK73GB1C473K	CHIP C 0.047UF K		C733			CK73GB1H102K	CHIP C 1000PF K	
C650			CC73GCH1H100D	CHIP C 10PF D		C734			CC73GCH1H390J	CHIP C 39PF J	
C651			CC73GCH1H101J	CHIP C 100PF J		C736			C92-0628-05	CHIP-TAN 10UF 10WV	
C652			CC73GCH1H060B	CHIP C 6.0PF B		C737			CC73GCH1H820J	CHIP C 82PF J	
C654			CC73GCH1H030B	CHIP C 3.0PF B		C739			C92-0543-05	CHIP-TAN 3.3UF 10WV	
C656			CK73GB1H471K	CHIP C 470PF K		C740			CK73GB1H102K	CHIP C 1000PF K	
C657			CC73GCH1H080B	CHIP C 8.0PF B		C741			CC73GCH1H220J	CHIP C 22PF J	
C658			CC73GCH1H0R5B	CHIP C 0.5PF B		C742			CC73GCH1H240J	CHIP C 24PF J	
C659			CC73GCH1H560J	CHIP C 56PF J		C743			C92-0543-05	CHIP-TAN 3.3UF 10WV	
C660			CK73GB1H332K	CHIP C 3300PF K		C744			CK73GB1H103K	CHIP C 0.010UF K	
C662			CK73GB1H472K	CHIP C 4700PF K		C745			CC73GCH1H270J	CHIP C 27PF J	
C663			CC73GCH1H120J	CHIP C 12PF J		C746			CK73GB1H102K	CHIP C 1000PF K	
C665			CK73GB1C473K	CHIP C 0.047UF K		C747			C92-0628-05	CHIP-TAN 10UF 10WV	
C666			CK73GB1H472K	CHIP C 4700PF K		C748			CK73GB1H102K	CHIP C 1000PF K	
C667,668			CK73GB1C473K	CHIP C 0.047UF K		C749			CK73GB1H471K	CHIP C 470PF K	
C669			CK73GB1H102K	CHIP C 1000PF K		C750			CK73GB1C473K	CHIP C 0.047UF K	
C670			CC73GCH1H0R5B	CHIP C 0.5PF B		C751,752			C92-0543-05	CHIP-TAN 3.3UF 10WV	
C671			CC73GCH1H390J	CHIP C 39PF J		C753,754			CK73GB1H182K	CHIP C 1800PF K	
C672			CK73GB1H102K	CHIP C 1000PF K		C755			CC73GCH1H180J	CHIP C 18PF J	

PARTS LIST

TX-RX 2 UNIT (X57-606X-XX)

Ref. No.	Address	New parts	Parts No.	Description	Destination	Ref. No.	Address	New parts	Parts No.	Description	Destination
C756			CC73GCH1H100D	CHIP C 10PF D		C839			CK73GB1C473K	CHIP C 0.047UF K	
C757			CK73GB1C473K	CHIP C 0.047UF K		C840-842			CK73GB1H103K	CHIP C 0.010UF K	
C758			CK73GB1H471K	CHIP C 470PF K		C844			C92-1327-05	CHIP-TAN 100UF 10WV	
C759			CK73GB1H472K	CHIP C 4700PF K		C849-854			C92-0628-05	CHIP-TAN 10UF 10WV	
C761			CC73GCH1H101J	CHIP C 100PF J		C857-859			CK73GB1H102K	CHIP C 1000PF K	
C762			CK73GB1H102K	CHIP C 1000PF K		C860			C92-0628-05	CHIP-TAN 10UF 10WV	
C763,764			CC73GCH1H180J	CHIP C 18PF J		C861,862			CK73GB1H102K	CHIP C 1000PF K	
C765,766			CC73GCH1H100D	CHIP C 10PF D		C863,864			CK73GB1H471K	CHIP C 470PF K	
C767			C92-0628-05	CHIP-TAN 10UF 10WV		C865			CK73GB1H102K	CHIP C 1000PF K	
C770			CK73GB1H103K	CHIP C 0.010UF K		C866,867			CK73GB1H103K	CHIP C 0.010UF K	
C771			C92-0628-05	CHIP-TAN 10UF 10WV		C868			C92-0628-05	CHIP-TAN 10UF 10WV	
C772			CC73GCH1H101J	CHIP C 100PF J		C869,870			CK73GB1H102K	CHIP C 1000PF K	
C773,774			CK73GB1H103K	CHIP C 0.010UF K		C871			CK73GB1H472K	CHIP C 4700PF K	
C775			CK73GB1H102K	CHIP C 1000PF K		C872,873			CK73GB1H102K	CHIP C 1000PF K	
C776			CK73GB1H471K	CHIP C 470PF K		C874			CK73GB1C473K	CHIP C 0.047UF K	
C777			C92-0555-05	CHIP-TAN 0.047UF 35WV		C875			CK73GB1H103K	CHIP C 0.010UF K	
C778			CK73GB1H102K	CHIP C 1000PF K		C876			CC73GCH1H151J	CHIP C 150PF J	
C780			CK73GB1H471K	CHIP C 470PF K		C877,878			CC73GCH1H070B	CHIP C 7.0PF B	
C781			CC73GCH1H100D	CHIP C 10PF D		C879			CK73GB1H471K	CHIP C 470PF K	
C782			CC73GCH1H050B	CHIP C 5.0PF B		C880			CC73GCH1H020B	CHIP C 2.0PF B	
C783			CK73GB1H103K	CHIP C 0.010UF K		C881			CK73GB1H471K	CHIP C 470PF K	
C784			CK73GB1H102K	CHIP C 1000PF K		C882			CC73GCH1H020B	CHIP C 2.0PF B	
C786			CK73GB1H103K	CHIP C 0.010UF K		C883,884			CC73GCH1H150J	CHIP C 15PF J	
C788			CK73GB1H103K	CHIP C 0.010UF K		C885			CK73GB1H102K	CHIP C 1000PF K	
C789,790			CC73GCH1H101J	CHIP C 100PF J		C886,887			CC73GCH1H150J	CHIP C 15PF J	
C791			CK73GB1H103K	CHIP C 0.010UF K		C888,889			CC73GCH1H010B	CHIP C 1.0PF B	
C792			CK73GB1H471K	CHIP C 470PF K		C890			CC73GCH1H270J	CHIP C 27PF J	
C793			C92-0606-05	CHIP-TAN 4.7UF 10WV		C892,893			CC73GCH1H070B	CHIP C 7.0PF B	
C794			CK73GB1H472K	CHIP C 4700PF K		C894,895			CC73GCH1H060B	CHIP C 6.0PF B	
C795			C92-0628-05	CHIP-TAN 10UF 10WV		C896			CK73GB1H103K	CHIP C 0.010UF K	
C796			CK73GB1C473K	CHIP C 0.047UF K		C897			CC73GCH1H120J	CHIP C 12PF J	
C798			CK73GB1H471K	CHIP C 470PF K		C898			CK73GB1H471K	CHIP C 470PF K	
C799			C92-0502-05	CHIP-TAN 0.33UF 35WV		C899,900			CC73GCH1H330J	CHIP C 33PF J	
C800			C92-0511-05	CHIP-TAN 0.15UF 35WV		C901			CK73GB1H471K	CHIP C 470PF K	
C802,803			CK73GB1C473K	CHIP C 0.047UF K		C902			CC73GCH1H050B	CHIP C 5.0PF B	
C804			CC73GCH1H101J	CHIP C 100PF J		C903			CK73GB1H471K	CHIP C 470PF K	
C806			CK73GB1C473K	CHIP C 0.047UF K		C904			CC73GCH1H050B	CHIP C 5.0PF B	
C807			CC73GCH1H220J	CHIP C 22PF J		C905			CC73GCH1H070B	CHIP C 7.0PF B	
C808			CK73GB1H102K	CHIP C 1000PF K		C906			C92-0628-05	CHIP-TAN 10UF 10WV	
C809			CK73GB1C473K	CHIP C 0.047UF K		C907,908			CC73GCH1H020B	CHIP C 2.0PF B	
C810			CK73GB1H471K	CHIP C 470PF K		C909,910			CK73GB1H102K	CHIP C 1000PF K	
C811			CC73GCH1H101J	CHIP C 100PF J		C911			CC73GCH1H150J	CHIP C 15PF J	
C813			CC73GCH1H220J	CHIP C 22PF J		C912			CK73GB1H471K	CHIP C 470PF K	
C814			CK73GB1H102K	CHIP C 1000PF K		C913			CK73GB1H102K	CHIP C 1000PF K	
C815			CK73GB1C473K	CHIP C 0.047UF K		C914			CC73GCH1H150J	CHIP C 15PF J	
C817			CK73GB1H102K	CHIP C 1000PF K		C915			CK73GB1H471K	CHIP C 470PF K	
C818			CC73GCH1H120J	CHIP C 12PF J		C916,917			CC73GCH1H040B	CHIP C 4.0PF B	
C819			CK73GB1H472K	CHIP C 4700PF K		C918			CC73GCH1H560J	CHIP C 56PF J	
C820			CK73GB1H102K	CHIP C 1000PF K		C919,920			CK73GB1H102K	CHIP C 1000PF K	
C821,822			CC73GCH1H120J	CHIP C 12PF J		C923			CK73GB1H471K	CHIP C 470PF K	
C823			CC73GCH1H240J	CHIP C 24PF J		C924			CK73GB1H472K	CHIP C 4700PF K	
C824			CC73GCH1H180J	CHIP C 18PF J		C925,926			CC73GCH1H050B	CHIP C 5.0PF B	
C825			CK73GB1H103K	CHIP C 0.010UF K		C927			CC73GCH1H020B	CHIP C 2.0PF B	
C826			CC73GCH1H240J	CHIP C 24PF J		C928			CK73GB1H472K	CHIP C 4700PF K	
C827,828			CK73GB1H102K	CHIP C 1000PF K		C929			CK73GB1H102K	CHIP C 1000PF K	
C830			CK73GB1H102K	CHIP C 1000PF K		C930			CC73GCH1H050B	CHIP C 5.0PF B	
C831			CK73GB1H471K	CHIP C 470PF K		C931			CK73GB1H472K	CHIP C 4700PF K	
C832			CK73GB1H102K	CHIP C 1000PF K		C932			CC73GCH1H270J	CHIP C 27PF J	
C835			CC73GCH1H100D	CHIP C 10PF D		C933			CK73GB1H102K	CHIP C 1000PF K	
C836			CK73GB1H103K	CHIP C 0.010UF K		C934,935			CK73GB1H471K	CHIP C 470PF K	

K : TS-2000 (K) KX : TS-2000X (K)
E : TS-2000 (E) E2 : TS-2000 (E2)

PARTS LIST

TX-RX 2 UNIT (X57-606X-XX)

Ref. No.	Address	New parts	Parts No.	Description	Destination	Ref. No.	Address	New parts	Parts No.	Description	Destination
C936			CC73GCH1H330J	CHIP C 33PF J		L6			L40-8275-92	SMALL FIXED INDUCTOR (82NH)	
TC1-6			C05-0369-05	CERAMIC TRIMMER CAP		L7			L40-2785-92	SMALL FIXED INDUCTOR (270NH)	
TC8-10			C05-0369-05	CERAMIC TRIMMER CAP		L8,9			L39-1421-05	TOROIDAL COIL	
TC12			C05-0370-05	CERAMIC TRIMMER CAP		L10			L40-1575-92	SMALL FIXED INDUCTOR (15NH)	
TC13			C05-0369-05	CERAMIC TRIMMER CAP		L11			L40-1085-92	SMALL FIXED INDUCTOR (100NH)	
TC14			C05-0370-05	CERAMIC TRIMMER CAP		L12,13			L40-1875-92	SMALL FIXED INDUCTOR (18NH)	
TC400,401			C05-0346-05	CERAMIC TRIMMER CAP (6P)		L14,15			L40-4775-92	SMALL FIXED INDUCTOR (47NH)	
TC402			C05-0384-05	CERAMIC TRIMMER CAP (10P)		L22			L40-1095-34	SMALL FIXED INDUCTOR (1UH)	
TC403			C05-0356-05	CERAMIC TRIMMER CAP (20P)		L23			L34-4472-05	COIL	
TC404,405			C05-0384-05	CERAMIC TRIMMER CAP (10P)		L27			L40-4775-34	SMALL FIXED INDUCTOR (47NH)	
TC406			C05-0356-05	CERAMIC TRIMMER CAP (20P)		L28			L34-4472-05	COIL	
TC408-410			C05-0384-05	CERAMIC TRIMMER CAP (10P)		L29			L79-1574-05	FILTER MODULE	E,E2
CN1-4			E04-0191-05	PIN SOCKET		L29			L79-1575-05	FILTER MODULE	K,KX
CN6			E04-0191-05	PIN SOCKET		L31			L40-1575-92	SMALL FIXED INDUCTOR (15NH)	
CN7			E40-3247-05	PIN ASSY		L32			L40-6875-34	SMALL FIXED INDUCTOR (68NH)	
CN8			E04-0191-05	PIN SOCKET		L34			L34-4472-05	COIL	
CN9			E40-3246-05	PIN ASSY		L35			L40-6875-34	SMALL FIXED INDUCTOR (68NH)	
CN10			E40-3237-05	PIN ASSY		L39			L40-2275-92	SMALL FIXED INDUCTOR (22NH)	
CN11			E04-0191-05	PIN SOCKET		L43			L40-8275-92	SMALL FIXED INDUCTOR (82NH)	
CN12			E40-5741-05	FLAT CABLE CONNECTOR		L44			L34-4472-05	COIL	
CN13			E04-0191-05	PIN SOCKET		L45			L40-1875-92	SMALL FIXED INDUCTOR (18NH)	
CN14			E40-5978-05	FLAT CABLE CONNECTOR		L46			L40-1075-92	SMALL FIXED INDUCTOR (10NH)	
CN15			E04-0154-05	PIN SOCKET		L47			L34-4472-05	COIL	
CN17			E40-5978-05	FLAT CABLE CONNECTOR		L48			L40-3375-34	SMALL FIXED INDUCTOR (33NH)	
CN18			E04-0191-05	PIN SOCKET		L50			L79-1574-05	FILTER MODULE	E,E2
CN19			E04-0154-05	PIN SOCKET		L50			L79-1575-05	FILTER MODULE	K,KX
CN501			E40-5740-05	FLAT CABLE CONNECTOR		L52			L34-4472-05	COIL	
CN502-506			E04-0191-05	PIN SOCKET		L55			L34-4472-05	COIL	
CN510			E40-5699-05	PIN ASSY		L59			L39-1421-05	TOROIDAL COIL	
CN511,512			E40-6019-05	PIN ASSY		L61-63			L39-1421-05	TOROIDAL COIL	
CN513			E40-5699-05	PIN ASSY		L64,65			L92-0138-05	FERRITE CHIP	
CN514			E40-6019-05	PIN ASSY		L66-68			L39-1421-05	TOROIDAL COIL	
CN530			E40-3246-05	PIN ASSY		L69			L40-3381-37	SMALL FIXED INDUCTOR (0.330UH)	
CN532			E40-5699-05	PIN ASSY		L72			L40-3381-37	SMALL FIXED INDUCTOR (0.330UH)	
CN533,534			E40-5758-05	FLAT CABLE CONNECTOR		L73			L40-5675-92	SMALL FIXED INDUCTOR (56NH)	
CN535			E40-5699-05	PIN ASSY		L74			L40-3381-37	SMALL FIXED INDUCTOR (0.330UH)	
J1			E11-0438-05	PHONE JACK (9P)		L75			L39-1421-05	TOROIDAL COIL	
J2			E11-0455-05	3.5D PHONE JACK (3P)		L79			L40-5681-37	SMALL FIXED INDUCTOR (0.560UH)	
W1		*	E37-0885-15	LEAD WIRE WITH CONNECTOR		L80			L34-4205-05	COIL	
W501		*	E37-0956-05	LEAD WIRE WITH CONNECTOR		L82			L34-4206-05	COIL	
W503		*	E37-0955-05	LEAD WIRE WITH CONNECTOR		L83		*	L40-4705-85	SMALL FIXED INDUCTOR (47U)	
-		*	F10-2345-04	SHIELDING CASE		L85		*	L40-4705-85	SMALL FIXED INDUCTOR (47U)	
-		*	F10-2346-04	SHIELDING CASE		L86		*	L34-4649-05	COIL	
-		*	F10-2347-04	SHIELDING CASE		L89			L40-6885-34	SMALL FIXED INDUCTOR (680NH)	
-		*	F10-2348-04	SHIELDING CASE		L90			L34-4026-15	COIL	
-		*	F10-2349-14	SHIELDING CASE		L91			L34-4025-05	COIL	
401	1B	*	F10-2351-04	SHIELDING COVER		L93			L34-4459-05	COIL	
-		*	F10-2388-14	SHIELDING CASE		L95-97			L40-1085-92	SMALL FIXED INDUCTOR (100NH)	
402	1B	*	F10-2389-04	SHIELDING COVER		L100		*	L41-3391-04	SMALL FIXED INDUCTOR	
-		*	F10-2390-04	SHIELDING CASE		L101		*	L92-0180-05	FERRITE CHIP	
-		*	F10-2391-04	SHIELDING CASE		L102			L41-3391-04	SMALL FIXED INDUCTOR	
-			G02-0794-04	FLAT SPRING		L103-105			L40-5685-34	SMALL FIXED INDUCTOR (560NH)	
-		*	G13-1789-04	CUSHION		L106			L40-1875-34	SMALL FIXED INDUCTOR (18NH)	
-		*	G13-1790-04	CUSHION		L108,109		*	L34-4604-05	AIR-CORE COIL	
-		*				L110		*	L34-4605-05	AIR-CORE COIL	
CF1		*	L72-0984-05	CERAMIC FILTER		L111		*	L34-4603-05	AIR-CORE COIL	
CF2		*	L72-0986-05	CERAMIC FILTER	E,E2	L116		*	L34-4604-05	AIR-CORE COIL	
CF400			L72-0343-05	CERAMIC FILTER		L117		*	L34-4605-05	AIR-CORE COIL	
L1			L40-1095-34	SMALL FIXED INDUCTOR (1UH)		L118,119		*	L34-4604-05	AIR-CORE COIL	
L4,5		*	L92-0180-05	FERRITE CHIP		L121,122			L40-6865-92	SMALL FIXED INDUCTOR (6.8NH)	

PARTS LIST

TX-RX 2 UNIT (X57-606X-XX)

Ref. No.	Address	New parts	Parts No.	Description	Destination	Ref. No.	Address	New parts	Parts No.	Description	Destination
L123		*	L34-4605-05	AIR-CORE COIL		L426			L40-3975-34	SMALL FIXED INDUCTOR (39NH)	
L124			L40-4763-92	SMALL FIXED INDUCTOR (4.7NH)		L427			L34-4345-05	COIL	
L125			L40-1575-92	SMALL FIXED INDUCTOR (15NH)		L428			L40-1005-85	SMALL FIXED INDUCTOR (10U)	
L128		*	L34-4605-05	AIR-CORE COIL		L429		*	L40-4705-85	SMALL FIXED INDUCTOR (47U)	
L129		*	L34-4603-05	AIR-CORE COIL		L430			L40-6875-34	SMALL FIXED INDUCTOR (68NH)	
L130		*	L41-3391-04	SMALL FIXED INDUCTOR		L431			L40-2295-85	SMALL FIXED INDUCTOR (2.2U)	
L131			L40-5675-92	SMALL FIXED INDUCTOR (56NH)		L432			L40-1271-34	SMALL FIXED INDUCTOR (12NH)	
L132			L40-1875-34	SMALL FIXED INDUCTOR (18NH)		L433			L40-1005-85	SMALL FIXED INDUCTOR (10U)	
L133		*	L34-4605-05	AIR-CORE COIL		L434			L40-1085-34	SMALL FIXED INDUCTOR (100NH)	
L134			L40-1085-92	SMALL FIXED INDUCTOR (100NH)		L435			L40-1575-34	SMALL FIXED INDUCTOR (15NH)	
L137		*	L34-4603-05	AIR-CORE COIL		L436			L40-1585-34	SMALL FIXED INDUCTOR (150NH)	
L139			L40-4775-92	SMALL FIXED INDUCTOR (47NH)		L437			L40-2295-85	SMALL FIXED INDUCTOR (2.2U)	
L140			L40-8265-92	SMALL FIXED INDUCTOR (8.2NH)		L438			L40-1005-85	SMALL FIXED INDUCTOR (10U)	
L141		*	L34-4604-05	AIR-CORE COIL		L439			L40-1885-34	SMALL FIXED INDUCTOR (180NH)	
L142-144			L40-1085-92	SMALL FIXED INDUCTOR (100NH)		L440			L40-1005-85	SMALL FIXED INDUCTOR (10U)	
L145			L40-1585-92	SMALL FIXED INDUCTOR (150NH)		L441			L40-1595-34	SMALL FIXED INDUCTOR (1.5UH)	
L146			L40-4775-92	SMALL FIXED INDUCTOR (47NH)		L442			L40-2785-34	SMALL FIXED INDUCTOR (270NH)	
L147			L40-5685-34	SMALL FIXED INDUCTOR (560NH)		L443			L40-1005-85	SMALL FIXED INDUCTOR (10U)	
L148			L40-1095-34	SMALL FIXED INDUCTOR (1UH)		L444,445		*	L40-1295-85	SMALL FIXED INDUCTOR (1.2U)	
L149			L40-4775-34	SMALL FIXED INDUCTOR (47NH)		L446		*	L41-6891-04	SMALL FIXED INDUCTOR	
L151			L40-1585-92	SMALL FIXED INDUCTOR (150NH)		L447		*	L40-1295-85	SMALL FIXED INDUCTOR (1.2U)	
L154			L40-1085-92	SMALL FIXED INDUCTOR (100NH)		L448,449			L40-1005-85	SMALL FIXED INDUCTOR (10U)	
L155			L40-2785-34	SMALL FIXED INDUCTOR (270NH)		L450			L34-4636-05	COIL	
L156			L40-3985-34	SMALL FIXED INDUCTOR (390NH)		L451			L40-1005-85	SMALL FIXED INDUCTOR (10U)	
L157			L40-6885-34	SMALL FIXED INDUCTOR (680NH)		L452		*	L41-1591-04	SMALL FIXED INDUCTOR	
L158			L40-1575-34	SMALL FIXED INDUCTOR (15NH)		L453			L40-3995-34	SMALL FIXED INDUCTOR (3.9UH)	
L159		*	L41-3391-04	SMALL FIXED INDUCTOR		L454,455			L40-1005-85	SMALL FIXED INDUCTOR (10U)	
L160			L40-1585-92	SMALL FIXED INDUCTOR (150NH)		L456			L40-1595-34	SMALL FIXED INDUCTOR (1.5UH)	
L161			L40-4775-92	SMALL FIXED INDUCTOR (47NH)		L457,458			L40-3995-34	SMALL FIXED INDUCTOR (3.9UH)	
L162			L40-6875-92	SMALL FIXED INDUCTOR (68NH)		L459		*	L41-1001-04	SMALL FIXED INDUCTOR	
L163,164			L34-4080-05	COIL		L460,461			L40-1005-85	SMALL FIXED INDUCTOR (10U)	
L165			L40-2285-92	SMALL FIXED INDUCTOR (220NH)		L462		*	L40-4795-85	SMALL FIXED INDUCTOR (4.7U)	
L166,167			L40-4785-34	SMALL FIXED INDUCTOR (470NH)		L463		*	L40-2278-60	SMALL FIXED INDUCTOR (22NH)	
L168			L40-1085-92	SMALL FIXED INDUCTOR (100NH)		L464		*	L40-4795-85	SMALL FIXED INDUCTOR (4.7U)	
L169			L40-1085-34	SMALL FIXED INDUCTOR (100NH)		L465			L40-1095-34	SMALL FIXED INDUCTOR (1UH)	
L170			L40-1575-92	SMALL FIXED INDUCTOR (15NH)		L466			L40-1005-34	SMALL FIXED INDUCTOR (10UH)	
L171			L40-4791-37	SMALL FIXED INDUCTOR (4.700UH)		L467			L40-3995-34	SMALL FIXED INDUCTOR (3.9UH)	
L172			L40-5685-34	SMALL FIXED INDUCTOR (560NH)		L468,469		*	L40-5695-85	SMALL FIXED INDUCTOR (5.6U)	
L400,401		*	L41-2791-04	SMALL FIXED INDUCTOR		L470			L40-1585-34	SMALL FIXED INDUCTOR (150NH)	
L402,403		*	L34-4572-05	AIR-CORE COIL		L471		*	L40-4795-85	SMALL FIXED INDUCTOR (4.7U)	
L404			L40-1085-92	SMALL FIXED INDUCTOR (100NH)		L472		*	L40-6878-60	SMALL FIXED INDUCTOR (68NH)	
L405			L40-1075-92	SMALL FIXED INDUCTOR (10NH)		L473			L40-1005-34	SMALL FIXED INDUCTOR (10UH)	
L406		*	L41-4791-04	SMALL FIXED INDUCTOR		L474			L40-1595-34	SMALL FIXED INDUCTOR (1.5UH)	
L407			L34-4573-05	AIR-CORE COIL		L475		*	L40-5695-85	SMALL FIXED INDUCTOR (5.6U)	
L408		*	L34-4572-05	AIR-CORE COIL		L476		*	L41-6891-04	SMALL FIXED INDUCTOR	
L409,410		*	L40-1015-85	SMALL FIXED INDUCTOR (100U)		L477			L40-2285-92	SMALL FIXED INDUCTOR (220NH)	
L411		*	L40-2288-76	SMALL FIXED INDUCTOR (0.22UH)		L478			L40-1005-34	SMALL FIXED INDUCTOR (10UH)	
L412			L40-6888-76	SMALL FIXED INDUCTOR (0.68UH)		L479		*	L34-4636-05	COIL	
L413			L34-4636-05	COIL		L480			L40-2285-92	SMALL FIXED INDUCTOR (220NH)	
L414			L40-2295-85	SMALL FIXED INDUCTOR (2.2U)		L481			L40-1271-34	SMALL FIXED INDUCTOR (12NH)	
L415			L40-1875-54	SMALL FIXED INDUCTOR (18NH)		L482			L40-2775-34	SMALL FIXED INDUCTOR (27NH)	
L416			L40-1885-54	SMALL FIXED INDUCTOR (180NH)		L483			L40-3995-34	SMALL FIXED INDUCTOR (3.9UH)	
L417			L40-1575-92	SMALL FIXED INDUCTOR (15NH)		L485,486			L40-1005-85	SMALL FIXED INDUCTOR (10U)	
L418			L40-1875-92	SMALL FIXED INDUCTOR (18NH)		L487		*	L40-1015-85	SMALL FIXED INDUCTOR (100U)	
L419			L40-1005-85	SMALL FIXED INDUCTOR (10U)		L488			L40-1005-85	SMALL FIXED INDUCTOR (10U)	
L420,421			L40-1075-34	SMALL FIXED INDUCTOR (10NH)		L490			L40-1585-34	SMALL FIXED INDUCTOR (150NH)	
L422			L34-4345-05	COIL		L492,493		*	L41-2291-04	SMALL FIXED INDUCTOR	
L423			L40-6875-34	SMALL FIXED INDUCTOR (68NH)		L494			L34-2360-05	COIL	
L424			L40-1005-85	SMALL FIXED INDUCTOR (10U)		L495			L34-4356-05	COIL	
L425			L40-2295-85	SMALL FIXED INDUCTOR (2.2U)		L496			L40-1005-85	SMALL FIXED INDUCTOR (10U)	

K : TS-2000 (K) KX : TS-2000X (K)
 E : TS-2000 (E) E2 : TS-2000 (E2)

PARTS LIST

TX-RX 2 UNIT (X57-606X-XX)

Ref. No.	Address	New parts	Parts No.	Description	Destination	Ref. No.	Address	New parts	Parts No.	Description	Destination
L497			L40-1095-34	SMALL FIXED INDUCTOR (1UH)		R26			RK73GB1J471J	CHIP R 470 J 1/16W	
L498			L40-1005-85	SMALL FIXED INDUCTOR (10U)		R27			RK73GB1J101J	CHIP R 100 J 1/16W	
L500			L40-2285-34	SMALL FIXED INDUCTOR (220NH)		R28,29			RK73GB1J471J	CHIP R 470 J 1/16W	
L501			L40-1005-85	SMALL FIXED INDUCTOR (10U)		R30			RK73GB1J472J	CHIP R 4.7K J 1/16W	E,E2
L502			L40-1595-34	SMALL FIXED INDUCTOR (1.5UH)		R31			RK73GB1J471J	CHIP R 470 J 1/16W	
L503		*	L41-2291-04	SMALL FIXED INDUCTOR		R32			RK73GB1J561J	CHIP R 560 J 1/16W	
L504			L34-2358-05	COIL		R33			RK73GB1J3R3J	CHIP R 3.3 J 1/16W	
L505			L40-1595-34	SMALL FIXED INDUCTOR (1.5UH)		R34			RK73GB1J561J	CHIP R 560 J 1/16W	
L506			L40-3375-34	SMALL FIXED INDUCTOR (33NH)		R35,36			RK73GB1J102J	CHIP R 1.0K J 1/16W	
L507			L40-1005-85	SMALL FIXED INDUCTOR (10U)		R37			RK73GB1J222J	CHIP R 2.2K J 1/16W	
L508		*	L40-1015-85	SMALL FIXED INDUCTOR (100U)		R38			RK73GB1J332J	CHIP R 3.3K J 1/16W	
L509			L40-1005-85	SMALL FIXED INDUCTOR (10U)		R39			RK73GB1J102J	CHIP R 1.0K J 1/16W	
L510		*	L40-1015-85	SMALL FIXED INDUCTOR (100U)		R40			RK73GB1J222J	CHIP R 2.2K J 1/16W	
L511			L40-1005-85	SMALL FIXED INDUCTOR (10U)		R41			RK73FB2A221J	CHIP R 220 J 1/10W	
L512		*	L40-1015-85	SMALL FIXED INDUCTOR (100U)		R42			RK73GB1J103J	CHIP R 10K J 1/16W	
L513,514			L40-6875-92	SMALL FIXED INDUCTOR (68NH)		R43			RK73GB1J331J	CHIP R 330 J 1/16W	
L515,516			L40-1005-85	SMALL FIXED INDUCTOR (10U)		R44			RK73GB1J101J	CHIP R 100 J 1/16W	
L517,518			L40-1271-34	SMALL FIXED INDUCTOR (12NH)		R45,46			RK73GB1J102J	CHIP R 1.0K J 1/16W	
L519			L40-1015-85	SMALL FIXED INDUCTOR (100U)		R47			RK73GB1J181J	CHIP R 180 J 1/16W	
L520,521			L40-1575-34	SMALL FIXED INDUCTOR (15NH)		R48-50			RK73GB1J101J	CHIP R 100 J 1/16W	
L522,523			L40-2775-34	SMALL FIXED INDUCTOR (27NH)		R51			RK73GB1J472J	CHIP R 4.7K J 1/16W	
L524			L40-5675-34	SMALL FIXED INDUCTOR (56NH)		R52			RK73GB1J272J	CHIP R 2.7K J 1/16W	
L525			L40-3375-34	SMALL FIXED INDUCTOR (33NH)		R53			RK73GB1J332J	CHIP R 3.3K J 1/16W	
L526			L40-1875-34	SMALL FIXED INDUCTOR (18NH)		R54			RK73GB1J272J	CHIP R 2.7K J 1/16W	
L527			L40-3375-34	SMALL FIXED INDUCTOR (33NH)		R55-59			RK73GB1J102J	CHIP R 1.0K J 1/16W	
L528-530			L40-1875-34	SMALL FIXED INDUCTOR (18NH)		R60			RK73GB1J104J	CHIP R 100K J 1/16W	
L531			L40-1095-34	SMALL FIXED INDUCTOR (1UH)		R61,62			RK73GB1J222J	CHIP R 2.2K J 1/16W	
L532			L40-6875-34	SMALL FIXED INDUCTOR (68NH)		R63			RK73GB1J471J	CHIP R 470 J 1/16W	
L533,534			L40-1005-85	SMALL FIXED INDUCTOR (10U)		R64			RK73GB1J104J	CHIP R 100K J 1/16W	
L535,536			L40-2785-34	SMALL FIXED INDUCTOR (270NH)		R66			RK73GB1J101J	CHIP R 100 J 1/16W	
L537			L40-1075-92	SMALL FIXED INDUCTOR (10NH)		R67-70			RK73GB1J104J	CHIP R 100K J 1/16W	
X1		*	L77-1828-05	CRYSTAL RESONATOR (58.07M)		R71			RK73GB1J472J	CHIP R 4.7K J 1/16W	
X400		*	L77-1820-05	TCXO (15.600MHZ)		R72			RK73GB1J272J	CHIP R 2.7K J 1/16W	
XF1		*	L71-0566-05	MCF (41.895M)		R73			RK73FB2A470J	CHIP R 47 J 1/10W	
XF2		*	L71-0565-05	MCF (58.525M)		R74			RK73GB1J222J	CHIP R 2.2K J 1/16W	
XF3		*	L71-0582-05	MCF (41.795MHZ)		R75			RK73FB2A220J	CHIP R 22 J 1/10W	
S	1B		N87-2605-46	BRAZIER HEAD TAPTITE SCREW		R76			RK73GB1J472J	CHIP R 4.7K J 1/16W	
R1			R92-1252-05	CHIP R 0 OHM		R77			RK73GB1J272J	CHIP R 2.7K J 1/16W	
R2,3			RK73GB1J102J	CHIP R 1.0K J 1/16W		R79			RK73GB1J181J	CHIP R 180 J 1/16W	
R4,5			RK73GB1J222J	CHIP R 2.2K J 1/16W		R80			RK73FB2A470J	CHIP R 47 J 1/10W	
R6,7			RK73GB1J102J	CHIP R 1.0K J 1/16W		R81			RK73GB1J152J	CHIP R 1.5K J 1/16W	
R8,9			RK73GB1J222J	CHIP R 2.2K J 1/16W		R82			RK73GB1J103J	CHIP R 10K J 1/16W	
R10			RK73GB1J103J	CHIP R 10K J 1/16W		R83			RK73FB2A220J	CHIP R 22 J 1/10W	
R11			RK73GB1J100J	CHIP R 10 J 1/16W		R84			RK73GB1J823J	CHIP R 82K J 1/16W	
R12			RK73GB1J393J	CHIP R 39K J 1/16W		R85			RK73GB1J333J	CHIP R 33K J 1/16W	
R13,14			RK73GB1J103J	CHIP R 10K J 1/16W		R86			RK73GB1J473J	CHIP R 47K J 1/16W	
R15			RK73GB1J153J	CHIP R 15K J 1/16W	E,E2	R87			RK73GB1J103J	CHIP R 10K J 1/16W	
R15			RK73GB1J472J	CHIP R 4.7K J 1/16W	K,KX	R88			RK73GB1J472J	CHIP R 4.7K J 1/16W	
R16			RK73GB1J103J	CHIP R 10K J 1/16W		R89			RK73GB1J272J	CHIP R 2.7K J 1/16W	
R17			RK73GB1J274J	CHIP R 270K J 1/16W		R90			RK73FB2A470J	CHIP R 47 J 1/10W	
R18			RK73GB1J271J	CHIP R 270 J 1/16W		R91			RK73GB1J222J	CHIP R 2.2K J 1/16W	
R19			RK73GB1J102J	CHIP R 1.0K J 1/16W		R92			RK73GB1J104J	CHIP R 100K J 1/16W	
R20			RK73GB1J274J	CHIP R 270K J 1/16W		R93			RK73GB1J102J	CHIP R 1.0K J 1/16W	
R21			RK73GB1J471J	CHIP R 470 J 1/16W		R94			RK73GB1J471J	CHIP R 470 J 1/16W	
R22			RK73GB1J470J	CHIP R 47 J 1/16W		R95			RK73GB1J472J	CHIP R 4.7K J 1/16W	
R23			RK73GB1J222J	CHIP R 2.2K J 1/16W		R96			RK73GB1J272J	CHIP R 2.7K J 1/16W	
R24			RK73GB1J331J	CHIP R 330 J 1/16W		R97			RK73GB1J120J	CHIP R 12 J 1/16W	E,E2
R25			RK73GB1J101J	CHIP R 100 J 1/16W		R97			RK73GB1J150J	CHIP R 15 J 1/16W	K,KX
						R98			RK73GB1J103J	CHIP R 10K J 1/16W	
						R99			RK73GB1J222J	CHIP R 2.2K J 1/16W	

PARTS LIST

TX-RX 2 UNIT (X57-606X-XX)

Ref. No.	Address	New parts	Parts No.	Description	Destination	Ref. No.	Address	New parts	Parts No.	Description	Destination
R100			RK73GB1J104J	CHIP R 100K J 1/16W		R185			RK73GB1J102J	CHIP R 1.0K J 1/16W	
R101			RK73FB2A470J	CHIP R 47 J 1/10W		R187			RK73GB1J393J	CHIP R 39K J 1/16W	
R102			RK73GB1J222J	CHIP R 2.2K J 1/16W		R188			RK73GB1J104J	CHIP R 100K J 1/16W	
R103			RK73FB2A220J	CHIP R 22 J 1/10W		R189			RK73GB1J273J	CHIP R 27K J 1/16W	
R104,105			RK73GB1J101J	CHIP R 100 J 1/16W		R190			RK73GB1J180J	CHIP R 18 J 1/16W	
R106			RK73FB2A470J	CHIP R 47 J 1/10W		R191			RK73GB1J273J	CHIP R 27K J 1/16W	
R107			RK73GB1J222J	CHIP R 2.2K J 1/16W		R192			R92-1252-05	CHIP R 0 OHM	
R108			RK73FB2A470J	CHIP R 47 J 1/10W		R194			RK73GB1J471J	CHIP R 470 J 1/16W	
R109			RK73GB1J181J	CHIP R 180 J 1/16W		R195			RK73GB1J823J	CHIP R 82K J 1/16W	
R110,111			RK73GB1J104J	CHIP R 100K J 1/16W		R196			RK73GB1J103J	CHIP R 10K J 1/16W	
R112,113			RK73GB1J472J	CHIP R 4.7K J 1/16W		R197-199			RK73GB1J101J	CHIP R 100 J 1/16W	
R114			RK73GB1J272J	CHIP R 2.7K J 1/16W		R200			RK73GB1J182J	CHIP R 1.8K J 1/16W	
R115			RK73GB1J104J	CHIP R 100K J 1/16W		R201			RK73GB1J273J	CHIP R 27K J 1/16W	
R116,117			R92-1252-05	CHIP R 0 OHM		R202			RK73GB1J471J	CHIP R 470 J 1/16W	
R118			RK73GB1J272J	CHIP R 2.7K J 1/16W		R203			RK73GB1J102J	CHIP R 1.0K J 1/16W	
R119			R92-1252-05	CHIP R 0 OHM		R204			RK73GB1J184J	CHIP R 180K J 1/16W	
R120,121			RK73GB1J104J	CHIP R 100K J 1/16W		R205			RK73GB1J102J	CHIP R 1.0K J 1/16W	
R124			RK73GB1J102J	CHIP R 1.0K J 1/16W		R206			RK73GB1J154J	CHIP R 150K J 1/16W	
R125			RK73GB1J104J	CHIP R 100K J 1/16W		R207			R92-1252-05	CHIP R 0 OHM	
R126-128			RK73GB1J102J	CHIP R 1.0K J 1/16W		R208			RK73GB1J332J	CHIP R 3.3K J 1/16W	
R130			RK73GB1J561J	CHIP R 560 J 1/16W		R209			R92-1252-05	CHIP R 0 OHM	
R131			RK73GB1J102J	CHIP R 1.0K J 1/16W		R210			RK73GB1J102J	CHIP R 1.0K J 1/16W	
R132			RK73GB1J3R3J	CHIP R 3.3 J 1/16W		R211			RK73GB1J153J	CHIP R 15K J 1/16W	E,E2
R133			RK73GB1J102J	CHIP R 1.0K J 1/16W		R212			RK73GB1J563J	CHIP R 56K J 1/16W	
R135,136			RK73GB1J104J	CHIP R 100K J 1/16W		R213,214			RK73GB1J222J	CHIP R 2.2K J 1/16W	
R137			RK73GB1J821J	CHIP R 820 J 1/16W		R215			RK73GB1J101J	CHIP R 100 J 1/16W	
R139			RK73GB1J104J	CHIP R 100K J 1/16W		R216			RK73GB1J333J	CHIP R 33K J 1/16W	
R140			RK73GB1J331J	CHIP R 330 J 1/16W		R217			RK73GB1J103J	CHIP R 10K J 1/16W	
R141			RK73GB1J102J	CHIP R 1.0K J 1/16W		R218			RK73GB1J102J	CHIP R 1.0K J 1/16W	
R142,143			RK73GB1J101J	CHIP R 100 J 1/16W		R219			RK73GB1J101J	CHIP R 100 J 1/16W	
R146,147			RK73GB1J222J	CHIP R 2.2K J 1/16W		R220,221			RK73GB1J223J	CHIP R 22K J 1/16W	E,E2
R149			RK73GB1J331J	CHIP R 330 J 1/16W		R222			RK73GB1J682J	CHIP R 6.8K J 1/16W	
R150,151			RK73GB1J561J	CHIP R 560 J 1/16W		R223			RK73GB1J100J	CHIP R 10 J 1/16W	
R152			RK73GB1J102J	CHIP R 1.0K J 1/16W		R224			RK73GB1J221J	CHIP R 220 J 1/16W	
R153			RK73GB1J180J	CHIP R 18 J 1/16W		R225,226			RK73GB1J223J	CHIP R 22K J 1/16W	E,E2
R154			RK73GB1J3R3J	CHIP R 3.3 J 1/16W		R229			RK73GB1J822J	CHIP R 8.2K J 1/16W	
R155			RK73GB1J390J	CHIP R 39 J 1/16W		R230			R92-1252-05	CHIP R 0 OHM	
R156			RK73GB1J561J	CHIP R 560 J 1/16W		R231			RK73GB1J331J	CHIP R 330 J 1/16W	
R157			RK73GB1J331J	CHIP R 330 J 1/16W		R232			RK73GB1J221J	CHIP R 220 J 1/16W	
R158			RK73GB1J102J	CHIP R 1.0K J 1/16W		R233			RK73GB1J223J	CHIP R 22K J 1/16W	
R159			RK73GB1J390J	CHIP R 39 J 1/16W		R235			RK73GB1J473J	CHIP R 47K J 1/16W	
R160-163			RK73GB1J102J	CHIP R 1.0K J 1/16W		R236			RK73GB1J153J	CHIP R 15K J 1/16W	E,E2
R164			RK73GB1J470J	CHIP R 47 J 1/16W		R237,238			RK73GB1J331J	CHIP R 330 J 1/16W	
R165			RK73GB1J332J	CHIP R 3.3K J 1/16W		R240,241			RK73GB1J330J	CHIP R 33 J 1/16W	
R166			R92-1252-05	CHIP R 0 OHM		R242			RK73GB1J222J	CHIP R 2.2K J 1/16W	
R167			RK73GB1J681J	CHIP R 680 J 1/16W		R245			RK73GB1J183J	CHIP R 18K J 1/16W	
R168			RK73GB1J330J	CHIP R 33 J 1/16W		R246,247			RK73GB1J680J	CHIP R 68 J 1/16W	
R169			RK73GB1J181J	CHIP R 180 J 1/16W		R248			RK73GB1J103J	CHIP R 10K J 1/16W	
R170			RK73GB1J472J	CHIP R 4.7K J 1/16W		R250			RK73GB1J271J	CHIP R 270 J 1/16W	
R171			RK73GB1J272J	CHIP R 2.7K J 1/16W		R254			RK73GB1J100J	CHIP R 10 J 1/16W	
R172			RK73GB1J101J	CHIP R 100 J 1/16W		R255			RK73GB1J472J	CHIP R 4.7K J 1/16W	
R173			RK73GB1J121J	CHIP R 120 J 1/16W		R256			RK73GB1J180J	CHIP R 18 J 1/16W	
R174			RK73GB1J270J	CHIP R 27 J 1/16W		R257			RK73GB1J103J	CHIP R 10K J 1/16W	
R175			RK73GB1J330J	CHIP R 33 J 1/16W		R258			RK73GB1J180J	CHIP R 18 J 1/16W	
R176			RK73GB1J562J	CHIP R 5.6K J 1/16W		R259,260			RK73GB1J222J	CHIP R 2.2K J 1/16W	
R177			RK73GB1J182J	CHIP R 1.8K J 1/16W		R262			RK73GB1J332J	CHIP R 3.3K J 1/16W	
R178			RK73GB1J472J	CHIP R 4.7K J 1/16W		R263			RK73GB1J180J	CHIP R 18 J 1/16W	
R179			RK73GB1J272J	CHIP R 2.7K J 1/16W		R265			RK73GB1J221J	CHIP R 220 J 1/16W	
R180			RK73GB1J562J	CHIP R 5.6K J 1/16W		R266			RK73GB1J223J	CHIP R 22K J 1/16W	
R181			RK73GB1J182J	CHIP R 1.8K J 1/16W		R267			RK73GB1J822J	CHIP R 8.2K J 1/16W	

K : TS-2000 (K) KX : TS-2000X (K)
 E : TS-2000 (E) E2 : TS-2000 (E2)

PARTS LIST

TX-RX 2 UNIT (X57-606X-XX)

Ref. No.	Address	New parts	Parts No.	Description	Destination	Ref. No.	Address	New parts	Parts No.	Description	Destination
R268			RK73GB1J274J	CHIP R 270K J 1/16W		R363			RK73GB1J153J	CHIP R 15K J 1/16W	
R269			RK73GB1J564J	CHIP R 560K J 1/16W		R365			R92-1252-05	CHIP R 0 OHM	
R271			RK73GB1J223J	CHIP R 22K J 1/16W		R366			RK73GB1J221J	CHIP R 220 J 1/16W	
R272			RK73GB1J104J	CHIP R 100K J 1/16W		R368			RK73GB1J221J	CHIP R 220 J 1/16W	
R276			RK73GB1J101J	CHIP R 100 J 1/16W		R369			RK73FB2A393J	CHIP R 39K J 1/10W	
R277			RK73GB1J183J	CHIP R 18K J 1/16W		R370			RK73GB1J471J	CHIP R 470 J 1/16W	
R278			RK73GB1J182J	CHIP R 1.8K J 1/16W		R371			RK73GB1J822J	CHIP R 8.2K J 1/16W	
R286			R92-1252-05	CHIP R 0 OHM		R372			RK73GB1J153J	CHIP R 15K J 1/16W	
R287			RK73GB1J563J	CHIP R 56K J 1/16W		R373			RK73GB1J391J	CHIP R 390 J 1/16W	
R288			RK73GB1J102J	CHIP R 1.0K J 1/16W		R374-376			RK73GB1J101J	CHIP R 100 J 1/16W	
R289			RK73GB1J103J	CHIP R 10K J 1/16W		R377			RK73GB1J560J	CHIP R 56 J 1/16W	
R291			RK73GB1J471J	CHIP R 470 J 1/16W		R378			RK73GB1J224J	CHIP R 220K J 1/16W	
R295			RK73GB1J102J	CHIP R 1.0K J 1/16W		R379			RK73GB1J474J	CHIP R 470K J 1/16W	
R296			RK73GB1J471J	CHIP R 470 J 1/16W		R380			RK73GB1J684J	CHIP R 680K J 1/16W	
R297,298			RK73GB1J102J	CHIP R 1.0K J 1/16W		R381			RK73GB1J104J	CHIP R 100K J 1/16W	
R300,301			RK73GB1J560J	CHIP R 56 J 1/16W		R382			RK73GB1J474J	CHIP R 470K J 1/16W	
R303			RK73GB1J151J	CHIP R 150 J 1/16W		R383			RK73GB1J391J	CHIP R 390 J 1/16W	
R304,305			R92-1252-05	CHIP R 0 OHM		R384			R92-1252-05	CHIP R 0 OHM	
R306			RK73GB1J182J	CHIP R 1.8K J 1/16W	K,KX	R385-387			R92-0679-05	CHIP R 0 OHM	
R307,308			RK73GB1J103J	CHIP R 10K J 1/16W		R388,389			R92-0670-05	CHIP R 0 OHM	
R309			RK73GB1J182J	CHIP R 1.8K J 1/16W		R390			RK73GB1J102J	CHIP R 1.0K J 1/16W	
R310			RK73GB1J472J	CHIP R 4.7K J 1/16W		R391			R92-0679-05	CHIP R 0 OHM	
R311,312			R92-1252-05	CHIP R 0 OHM		R392			RK73GB1J273J	CHIP R 27K J 1/16W	
R313			RK73GB1J103J	CHIP R 10K J 1/16W		R393			R92-1252-05	CHIP R 0 OHM	
R314,315			RK73GB1J472J	CHIP R 4.7K J 1/16W		R394			R92-0679-05	CHIP R 0 OHM	
R316			RK73GB1J103J	CHIP R 10K J 1/16W		R395			R92-0670-05	CHIP R 0 OHM	
R317			RK73GB1J471J	CHIP R 470 J 1/16W		R396-398			R92-1252-05	CHIP R 0 OHM	
R319,320			RK73GB1J331J	CHIP R 330 J 1/16W		R399			RK73FB2A100J	CHIP R 10 J 1/10W	E,E2
R321			RK73GB1J820J	CHIP R 82 J 1/16W		R399			RK73FB2A6R8J	CHIP R 6.8 J 1/10W	K,KX
R322			RK73GB1J102J	CHIP R 1.0K J 1/16W		R400-411			RK73GB1J101J	CHIP R 100 J 1/16W	
R323			RK73GB1J331J	CHIP R 330 J 1/16W		R412-417			R92-1252-05	CHIP R 0 OHM	
R325-327			RK73GB1J101J	CHIP R 100 J 1/16W		R418			RK73GB1J101J	CHIP R 100 J 1/16W	
R328			RK73GB1J102J	CHIP R 1.0K J 1/16W		R419-421			RK73GB1J102J	CHIP R 1.0K J 1/16W	
R329			RK73GB1J682J	CHIP R 6.8K J 1/16W		R422			RK73GB1J222J	CHIP R 2.2K J 1/16W	
R333			RK73GB1J153J	CHIP R 15K J 1/16W		R423			R92-1252-05	CHIP R 0 OHM	
R335			RK73GB1J102J	CHIP R 1.0K J 1/16W		R424			RK73GB1J101J	CHIP R 100 J 1/16W	
R336			RK73GB1J470J	CHIP R 47 J 1/16W		R427			RK73GB1J101J	CHIP R 100 J 1/16W	
R337			RK73GB1J330J	CHIP R 33 J 1/16W		R428-431			RK73GB1J123J	CHIP R 12K J 1/16W	
R338			RK73GB1J152J	CHIP R 1.5K J 1/16W		R432			R92-1252-05	CHIP R 0 OHM	
R340			R92-1252-05	CHIP R 0 OHM		R433,434			RK73GB1J473J	CHIP R 47K J 1/16W	
R342			RK73GB1J104J	CHIP R 100K J 1/16W		R435			RK73GB1J474J	CHIP R 470K J 1/16W	
R343,344			RK73GB1J331J	CHIP R 330 J 1/16W		R436			RK73GB1J103J	CHIP R 10K J 1/16W	
R345			RK73GB1J682J	CHIP R 6.8K J 1/16W		R437			RK73GB1J332J	CHIP R 3.3K J 1/16W	
R346,347			RK73GB1J103J	CHIP R 10K J 1/16W		R438			RK73GB1J102J	CHIP R 1.0K J 1/16W	
R348			RK73GB1J182J	CHIP R 1.8K J 1/16W		R439,440			RK73GB1J220J	CHIP R 22 J 1/16W	
R349			R92-1252-05	CHIP R 0 OHM	E,E2	R441			RK73GB1J181J	CHIP R 180 J 1/16W	
R349,350			R92-1252-05	CHIP R 0 OHM	K,KX	R442			RK73GB1J102J	CHIP R 1.0K J 1/16W	
R350			RK73GB1J100J	CHIP R 10 J 1/16W	E,E2	R443,444			RK73GB1J101J	CHIP R 100 J 1/16W	
R351			RK73GB1J823J	CHIP R 82K J 1/16W		R445			RK73GB1J682J	CHIP R 6.8K J 1/16W	
R352			RK73GB1J104J	CHIP R 100K J 1/16W		R447,448			RK73GB1J101J	CHIP R 100 J 1/16W	
R353			RK73GB1J103J	CHIP R 10K J 1/16W		R449			RK73GB1J103J	CHIP R 10K J 1/16W	
R354			R92-1252-05	CHIP R 0 OHM		R450			RK73GB1J224J	CHIP R 220K J 1/16W	
R355			RK73GB1J472J	CHIP R 4.7K J 1/16W		R451			RK73GB1J391J	CHIP R 390 J 1/16W	
R356			RK73GB1J103J	CHIP R 10K J 1/16W		R452			R92-1252-05	CHIP R 0 OHM	
R357			RK73GB1J470J	CHIP R 47 J 1/16W		R453			RK73GB1J153J	CHIP R 15K J 1/16W	
R358			R92-1252-05	CHIP R 0 OHM		R454			RK73GB1J682J	CHIP R 6.8K J 1/16W	
R359			RK73GB1J223J	CHIP R 22K J 1/16W		R455			RK73GB1J153J	CHIP R 15K J 1/16W	
R360			RK73GB1J474J	CHIP R 470K J 1/16W		R456			RK73GB1J682J	CHIP R 6.8K J 1/16W	
R361			RK73GB1J272J	CHIP R 2.7K J 1/16W		R457			RK73GB1J470J	CHIP R 47 J 1/16W	
R362			R92-1252-05	CHIP R 0 OHM		R458			RK73GB1J153J	CHIP R 15K J 1/16W	

PARTS LIST

TX-RX 2 UNIT (X57-606X-XX)

Ref. No.	Address	New parts	Parts No.	Description	Destination	Ref. No.	Address	New parts	Parts No.	Description	Destination
R459			RK73GB1J682J	CHIP R 6.8K J 1/16W		R529,530			RK73GB1J101J	CHIP R 100 J 1/16W	
R460			RK73GB1J220J	CHIP R 22 J 1/16W		R531			RK73GB1J392J	CHIP R 3.9K J 1/16W	
R461			RK73GB1J181J	CHIP R 180 J 1/16W		R532			RK73GB1J470J	CHIP R 47 J 1/16W	
R462			RK73GB1J470J	CHIP R 47 J 1/16W		R533			RK73GB1J151J	CHIP R 150 J 1/16W	
R463			RK73GB1J181J	CHIP R 180 J 1/16W		R534			RK73GB1J682J	CHIP R 6.8K J 1/16W	
R464,465			RK73GB1J101J	CHIP R 100 J 1/16W		R535			RK73GB1J470J	CHIP R 47 J 1/16W	
R466			RK73GB1J470J	CHIP R 47 J 1/16W		R536			RK73GB1J153J	CHIP R 15K J 1/16W	
R467			RK73GB1J181J	CHIP R 180 J 1/16W		R537,538			RK73GB1J331J	CHIP R 330 J 1/16W	
R468			RK73GB1J470J	CHIP R 47 J 1/16W		R539			RK73GB1J271J	CHIP R 270 J 1/16W	
R469			RK73GB1J391J	CHIP R 390 J 1/16W		R540			RK73GB1J470J	CHIP R 47 J 1/16W	
R470			RK73GB1J120J	CHIP R 12 J 1/16W		R541			RK73GB1J101J	CHIP R 100 J 1/16W	
R471			R92-1252-05	CHIP R 0 OHM		R542			RK73GB1J822J	CHIP R 8.2K J 1/16W	
R472			RK73GB1J470J	CHIP R 47 J 1/16W		R543			RK73GB1J153J	CHIP R 15K J 1/16W	
R473			RK73GB1J181J	CHIP R 180 J 1/16W		R544			RK73GB1J101J	CHIP R 100 J 1/16W	
R474			RK73GB1J391J	CHIP R 390 J 1/16W		R545			RK73GB1J822J	CHIP R 8.2K J 1/16W	
R475			RK73GB1J181J	CHIP R 180 J 1/16W		R546			RK73GB1J153J	CHIP R 15K J 1/16W	
R476			R92-1252-05	CHIP R 0 OHM		R547,548			RK73GB1J391J	CHIP R 390 J 1/16W	
R477			RK73GB1J153J	CHIP R 15K J 1/16W		R549			RK73GB1J331J	CHIP R 330 J 1/16W	
R478			RK73GB1J682J	CHIP R 6.8K J 1/16W		R550			RK73GB1J221J	CHIP R 220 J 1/16W	
R479			RK73GB1J681J	CHIP R 680 J 1/16W		R551			RK73GB1J331J	CHIP R 330 J 1/16W	
R480			RK73GB1J101J	CHIP R 100 J 1/16W		R552			RK73GB1J221J	CHIP R 220 J 1/16W	
R481-483			R92-1252-05	CHIP R 0 OHM		R553			RK73GB1J331J	CHIP R 330 J 1/16W	
R484			RK73GB1J470J	CHIP R 47 J 1/16W		R554			RK73GB1J101J	CHIP R 100 J 1/16W	
R485,486			R92-1252-05	CHIP R 0 OHM		R555			RK73GB1J822J	CHIP R 8.2K J 1/16W	
R487			RK73GB1J151J	CHIP R 150 J 1/16W		R556			RK73GB1J153J	CHIP R 15K J 1/16W	
R488			RK73GB1J153J	CHIP R 15K J 1/16W		R557			RK73GB1J101J	CHIP R 100 J 1/16W	
R489			RK73GB1J682J	CHIP R 6.8K J 1/16W		R558			RK73GB1J181J	CHIP R 180 J 1/16W	
R490			R92-1252-05	CHIP R 0 OHM		R559			RK73GB1J391J	CHIP R 390 J 1/16W	
R491			RK73GB1J390J	CHIP R 39 J 1/16W		R560			RK73GB1J153J	CHIP R 15K J 1/16W	
R492			R92-1252-05	CHIP R 0 OHM		R561			RK73GB1J682J	CHIP R 6.8K J 1/16W	
R493			RK73GB1J151J	CHIP R 150 J 1/16W		R562			RK73GB1J331J	CHIP R 330 J 1/16W	
R494			RK73GB1J271J	CHIP R 270 J 1/16W		R563			RK73GB1J221J	CHIP R 220 J 1/16W	
R495			RK73GB1J103J	CHIP R 10K J 1/16W		R564			RK73GB1J271J	CHIP R 270 J 1/16W	
R496			RK73GB1J472J	CHIP R 4.7K J 1/16W		R565			RK73GB1J150J	CHIP R 15 J 1/16W	
R497			RK73GB1J101J	CHIP R 100 J 1/16W		R566			RK73GB1J221J	CHIP R 220 J 1/16W	
R498			RK73GB1J822J	CHIP R 8.2K J 1/16W		R567			RK73GB1J470J	CHIP R 47 J 1/16W	
R499			RK73GB1J153J	CHIP R 15K J 1/16W		R568			RK73GB1J181J	CHIP R 180 J 1/16W	
R500			RK73GB1J472J	CHIP R 4.7K J 1/16W		R569			RK73GB1J150J	CHIP R 15 J 1/16W	
R501			RK73GB1J153J	CHIP R 15K J 1/16W		R570			R92-1252-05	CHIP R 0 OHM	
R502			RK73GB1J682J	CHIP R 6.8K J 1/16W		R571			RK73GB1J153J	CHIP R 15K J 1/16W	
R503			RK73GB1J181J	CHIP R 180 J 1/16W		R572			RK73GB1J682J	CHIP R 6.8K J 1/16W	
R504			RK73GB1J470J	CHIP R 47 J 1/16W		R573			RK73GB1J101J	CHIP R 100 J 1/16W	
R505			RK73GB1J391J	CHIP R 390 J 1/16W		R574			RK73GB1J150J	CHIP R 15 J 1/16W	
R506			RK73GB1J821J	CHIP R 820 J 1/16W		R575			R92-1252-05	CHIP R 0 OHM	
R507			RK73GB1J121J	CHIP R 120 J 1/16W		R576			RK73GB1J470J	CHIP R 47 J 1/16W	
R508			RK73GB1J820J	CHIP R 82 J 1/16W		R577			RK73GB1J181J	CHIP R 180 J 1/16W	
R509			RK73GB1J5R6J	CHIP R 5.6 J 1/16W		R578			R92-1252-05	CHIP R 0 OHM	
R510			RK73GB1J101J	CHIP R 100 J 1/16W		R579			RK73GB1J101J	CHIP R 100 J 1/16W	
R511			RK73GB1J821J	CHIP R 820 J 1/16W		R580			R92-1252-05	CHIP R 0 OHM	
R512			RK73GB1J470J	CHIP R 47 J 1/16W		R581			RK73GB1J682J	CHIP R 6.8K J 1/16W	
R513			RK73GB1J820J	CHIP R 82 J 1/16W		R583			RK73GB1J101J	CHIP R 100 J 1/16W	
R514,515			R92-1252-05	CHIP R 0 OHM		R585			RK73GB1J101J	CHIP R 100 J 1/16W	
R516			RK73GB1J101J	CHIP R 100 J 1/16W		R586			RK73GB1J472J	CHIP R 4.7K J 1/16W	
R517-519			RK73GB1J470J	CHIP R 47 J 1/16W		R587			RK73GB1J101J	CHIP R 100 J 1/16W	
R520,521			RK73GB1J823J	CHIP R 82K J 1/16W		R588			RK73GB1J470J	CHIP R 47 J 1/16W	
R522,523			RK73GB1J561J	CHIP R 560 J 1/16W		R589			RK73GB1J151J	CHIP R 150 J 1/16W	
R524			RK73GB1J823J	CHIP R 82K J 1/16W		R593			RK73GB1J682J	CHIP R 6.8K J 1/16W	
R525,526			RK73GB1J392J	CHIP R 3.9K J 1/16W		R596			RK73GB1J153J	CHIP R 15K J 1/16W	
R527			RK73GB1J561J	CHIP R 560 J 1/16W		R598			RK73GB1J271J	CHIP R 270 J 1/16W	
R528			RK73GB1J682J	CHIP R 6.8K J 1/16W		R600			RK73GB1J470J	CHIP R 47 J 1/16W	

K : TS-2000 (K) KX : TS-2000X (K)
 E : TS-2000 (E) E2 : TS-2000 (E2)

PARTS LIST

TX-RX 2 UNIT (X57-606X-XX)

Ref. No.	Address	New parts	Parts No.	Description	Destination	Ref. No.	Address	New parts	Parts No.	Description	Destination
R602			RK73GB1J151J	CHIP R 150 J 1/16W		R671			RK73GB1J151J	CHIP R 150 J 1/16W	
R603			RK73GB1J390J	CHIP R 39 J 1/16W		R675			RK73GB1J391J	CHIP R 390 J 1/16W	
R604-606			RK73GB1J101J	CHIP R 100 J 1/16W		R676			RK73GB1J151J	CHIP R 150 J 1/16W	
R607			RK73GB1J182J	CHIP R 1.8K J 1/16W		R677,678			RK73GB1J101J	CHIP R 100 J 1/16W	
R608			RK73GB1J151J	CHIP R 150 J 1/16W		R680			RK73GB1J390J	CHIP R 39 J 1/16W	
R609			RK73GB1J101J	CHIP R 100 J 1/16W		R681-683			R92-1252-05	CHIP R 0 OHM	
R610			RK73GB1J182J	CHIP R 1.8K J 1/16W		R685			R92-1252-05	CHIP R 0 OHM	
R611			RK73GB1J222J	CHIP R 2.2K J 1/16W		R686			RK73GB1J151J	CHIP R 150 J 1/16W	
R612			R92-1252-05	CHIP R 0 OHM		R687			R92-1252-05	CHIP R 0 OHM	
R613			RK73GB1J150J	CHIP R 15 J 1/16W		R689,690			R92-1252-05	CHIP R 0 OHM	
R614			RK73GB1J222J	CHIP R 2.2K J 1/16W		R692			RK73GB1J101J	CHIP R 100 J 1/16W	
R615			R92-1252-05	CHIP R 0 OHM		R693			RK73GB1J102J	CHIP R 1.0K J 1/16W	
R616			RK73GB1J151J	CHIP R 150 J 1/16W		R694			RK73GB1J153J	CHIP R 15K J 1/16W	
R617			RK73GB1J472J	CHIP R 4.7K J 1/16W		R695			RK73GB1J682J	CHIP R 6.8K J 1/16W	
R618			RK73GB1J390J	CHIP R 39 J 1/16W		R696			RK73GB1J470J	CHIP R 47 J 1/16W	
R619,620			RK73GB1J101J	CHIP R 100 J 1/16W		R697			RK73GB1J121J	CHIP R 120 J 1/16W	
R621			RK73GB1J150J	CHIP R 15 J 1/16W		R698			RK73GB1J682J	CHIP R 6.8K J 1/16W	
R622			RK73GB1J101J	CHIP R 100 J 1/16W		R699			RK73GB1J391J	CHIP R 390 J 1/16W	
R623,624			RK73GB1J151J	CHIP R 150 J 1/16W		R700			R92-1252-05	CHIP R 0 OHM	
R625			R92-1252-05	CHIP R 0 OHM		R701			RK73GB1J102J	CHIP R 1.0K J 1/16W	
R626			RK73GB1J474J	CHIP R 470K J 1/16W		R702,703			RK73GB1J103J	CHIP R 10K J 1/16W	
R627			RK73GB1J150J	CHIP R 15 J 1/16W		R710-713			RK73GB1J472J	CHIP R 4.7K J 1/16W	
R628			R92-1252-05	CHIP R 0 OHM		R714,715			RK73GB1J101J	CHIP R 100 J 1/16W	
R629			RK73GB1J474J	CHIP R 470K J 1/16W		R716-719			RK73GB1J102J	CHIP R 1.0K J 1/16W	
R630			RK73GB1J390J	CHIP R 39 J 1/16W		R720			RK73GB1J182J	CHIP R 1.8K J 1/16W	
R631			RK73GB1J102J	CHIP R 1.0K J 1/16W		R721			R92-1252-05	CHIP R 0 OHM	
R632			RK73GB1J151J	CHIP R 150 J 1/16W		R722,723			RK73GB1J101J	CHIP R 100 J 1/16W	
R633,634			RK73GB1J150J	CHIP R 15 J 1/16W		R724,725			RK73GB1J102J	CHIP R 1.0K J 1/16W	
R635			RK73GB1J681J	CHIP R 680 J 1/16W		R726			RK73GB1J101J	CHIP R 100 J 1/16W	
R636			RK73GB1J271J	CHIP R 270 J 1/16W		R727			RK73GB1J680J	CHIP R 68 J 1/16W	
R637,638			RK73GB1J682J	CHIP R 6.8K J 1/16W		R728-731			RK73GB1J102J	CHIP R 1.0K J 1/16W	
R639			RK73GB1J681J	CHIP R 680 J 1/16W		R732,733			R92-1252-05	CHIP R 0 OHM	
R640			RK73GB1J222J	CHIP R 2.2K J 1/16W		R734			RK73GB1J101J	CHIP R 100 J 1/16W	
R641			RK73GB1J470J	CHIP R 47 J 1/16W		R735,736			RK73GB1J391J	CHIP R 390 J 1/16W	
R642			RK73GB1J153J	CHIP R 15K J 1/16W		R737			RK73GB1J103J	CHIP R 10K J 1/16W	
R643			RK73GB1J682J	CHIP R 6.8K J 1/16W		R738			RK73GB1J120J	CHIP R 12 J 1/16W	
R644			RK73GB1J180J	CHIP R 18 J 1/16W		R739,740			RK73GB1J472J	CHIP R 4.7K J 1/16W	
R645			RK73GB1J222J	CHIP R 2.2K J 1/16W		R741			RK73GB1J120J	CHIP R 12 J 1/16W	
R646			RK73GB1J271J	CHIP R 270 J 1/16W		R742,743			RK73GB1J472J	CHIP R 4.7K J 1/16W	
R647			RK73GB1J102J	CHIP R 1.0K J 1/16W		R744			RK73GB1J271J	CHIP R 270 J 1/16W	
R648			RK73GB1J471J	CHIP R 470 J 1/16W		R745,746			RK73GB1J391J	CHIP R 390 J 1/16W	
R649			RK73GB1J472J	CHIP R 4.7K J 1/16W		R747			RK73GB1J180J	CHIP R 18 J 1/16W	
R650			RK73GB1J102J	CHIP R 1.0K J 1/16W		R749,750			RK73GB1J102J	CHIP R 1.0K J 1/16W	
R651			RK73GB1J391J	CHIP R 390 J 1/16W		R751			RK73GB1J271J	CHIP R 270 J 1/16W	
R652			R92-1252-05	CHIP R 0 OHM		R752			RK73GB1J102J	CHIP R 1.0K J 1/16W	
R653			RK73GB1J391J	CHIP R 390 J 1/16W		R753,754			R92-1252-05	CHIP R 0 OHM	
R654,655			R92-1252-05	CHIP R 0 OHM		R755			RK73GB1J470J	CHIP R 47 J 1/16W	
R656			RK73GB1J472J	CHIP R 4.7K J 1/16W		R756			RK73GB1J153J	CHIP R 15K J 1/16W	
R657			RK73GB1J153J	CHIP R 15K J 1/16W		R757			RK73GB1J682J	CHIP R 6.8K J 1/16W	
R658			RK73GB1J682J	CHIP R 6.8K J 1/16W		R758			RK73GB1J102J	CHIP R 1.0K J 1/16W	
R659,660			RK73GB1J102J	CHIP R 1.0K J 1/16W		R759			RK73GB1J181J	CHIP R 180 J 1/16W	
R661			RK73GB1J150J	CHIP R 15 J 1/16W		R760-762			RK73GB1J102J	CHIP R 1.0K J 1/16W	
R663			RK73GB1J471J	CHIP R 470 J 1/16W		R763			RK73GB1J472J	CHIP R 4.7K J 1/16W	
R664			RK73GB1J151J	CHIP R 150 J 1/16W		R764,765			RK73GB1J102J	CHIP R 1.0K J 1/16W	
R665			RK73GB1J102J	CHIP R 1.0K J 1/16W		R766			RK73GB1J271J	CHIP R 270 J 1/16W	
R666			RK73GB1J390J	CHIP R 39 J 1/16W		R767			RK73GB1J180J	CHIP R 18 J 1/16W	
R667			RK73GB1J150J	CHIP R 15 J 1/16W		R768-770			RK73GB1J271J	CHIP R 270 J 1/16W	
R668			RK73GB1J101J	CHIP R 100 J 1/16W		R771,772			RK73GB1J180J	CHIP R 18 J 1/16W	
R669			RK73GB1J150J	CHIP R 15 J 1/16W		R773,774			RK73GB1J271J	CHIP R 270 J 1/16W	
R670			RK73GB1J470J	CHIP R 47 J 1/16W		R775			R92-1252-05	CHIP R 0 OHM	

PARTS LIST

TX-RX 2 UNIT (X57-606X-XX)

Ref. No.	Address	New parts	Parts No.	Description	Destination	Ref. No.	Address	New parts	Parts No.	Description	Destination
D6,7			RN731V	DIODE		D426-429			RN731V	DIODE	
D9-11			HSC277	DIODE		D430-437			MA2S077	DIODE	
D12			RN731V	DIODE		D438			MA2S111	DIODE	
D13			HSC277	DIODE		D439-444			MA2S077	DIODE	
D14			RN731V	DIODE		D445-447			MA2S111	DIODE	
D15			HSC277	DIODE		IC2			BU2099FV	IC	
D16			HVC131	DIODE		IC3			UPC1678G	IC	
D17			HSC277	DIODE		IC4,5			GN2011(Q)	IC	
D18			HVC131	DIODE		IC6			UPB1509GV	IC	
D19			RN731V	DIODE		IC7			TA31136FN	IC	
D20			HSC277	DIODE		IC8			TC4W53FU	IC	
D21			RN731V	DIODE		IC9			NJM2904V	IC	
D22-24			HSC277	DIODE		IC400			TA7808F	IC	
D30-34			HVC350B	VARIABLE CAPACITANCE DIODE		IC401	*		LMX2306TMX	IC	
D36,37			HVC350B	VARIABLE CAPACITANCE DIODE		IC402	*		LMX2316TMX	IC	
D39-43			HVC350B	VARIABLE CAPACITANCE DIODE		IC403			TA7805F	IC	
D46			DAN235E	DIODE		IC404			BU4094BCFV	IC	
D47			HVC350B	VARIABLE CAPACITANCE DIODE		IC405	*		UPC2709TB	IC	
D48,49			HSC277	DIODE		IC406-408			AD9835BRU	IC	
D51			HVC350B	VARIABLE CAPACITANCE DIODE		IC409-412	*		LMX2306TMX	IC	
D52,53			DAN235E	DIODE		IC414	*		LMX2306TMX	IC	
D54			HSB88WS	DIODE		IC415,416	*		UPC2709TB	IC	
D56			DAN235E	DIODE	K,KX	Q1,2			DTC114EUA	DIGITAL TRANSISTOR	
D56,57			DAN235E	DIODE	E,E2	Q3			FMA5	TRANSISTOR	
D58			RB706F-40	DIODE		Q11			UMC2N	TRANSISTOR	
D59			DAN235E	DIODE	E,E2	Q13			FMA5	TRANSISTOR	
D63-66			1SS355	DIODE		Q14,15			3SK241(R)	FET	
D68			DAN222	DIODE		Q16			UMC2N	TRANSISTOR	
D69			1SS355	DIODE		Q17,18			2SC3356	TRANSISTOR	
D71			1SS355	DIODE		Q19			2SC5066(O)	TRANSISTOR	
D73,74			DAN222	DIODE		Q20			2SK302(GR)	FET	
D75,76			1SS355	DIODE		Q21,22			2SC3357	TRANSISTOR	
D77,78			MA742	DIODE		Q23			3SK298	FET	
D79,80			HVC350B	VARIABLE CAPACITANCE DIODE		Q24,25			2SC3357	TRANSISTOR	
D81,82			HVC131	DIODE		Q26			2SC3356	TRANSISTOR	
D83			MA742	DIODE		Q30			2SC3356	TRANSISTOR	
D84-88			HVC350B	VARIABLE CAPACITANCE DIODE		Q31			UMC2N	TRANSISTOR	
D89			DTZ3.9(B)	ZENER DIODE		Q32-34			2SC3356	TRANSISTOR	
D90,91			HSC277	DIODE		Q35			DTA114EUA	DIGITAL TRANSISTOR	
D92-94			HVC131	DIODE		Q36			UMC2N	TRANSISTOR	
D95			HSC277	DIODE		Q37			3SK298	FET	
D96,97			HVC131	DIODE		Q38			3SK131(M)	FET	
D98			DAN222	DIODE		Q39			2SC4617(R)	TRANSISTOR	
D99			1SS355	DIODE		Q40			DTA114EUA	DIGITAL TRANSISTOR	E,E2
D100			HVC350B	VARIABLE CAPACITANCE DIODE		Q41			DTC144EUA	DIGITAL TRANSISTOR	E,E2
D101			HSC277	DIODE		Q42,43			2SK520(K43)	FET	
D400			MA2S111	DIODE		Q44,45			2SC4617(R)	TRANSISTOR	
D401,402			KV1460	VARIABLE CAPACITANCE DIODE		Q46,47			3SK131(M)	FET	
D403			MA2S304	VARIABLE CAPACITANCE DIODE		Q48			2SC4617(R)	TRANSISTOR	
D404,405			MA2S077	DIODE		Q50,51			2SC4617(R)	TRANSISTOR	
D406			MA2S304	VARIABLE CAPACITANCE DIODE		Q55,56			2SB1132(Q,R)	TRANSISTOR	
D407			MA2S111	DIODE		Q57-60			DTC114EUA	DIGITAL TRANSISTOR	
D408			KV1460	VARIABLE CAPACITANCE DIODE		Q61			2SC3356	TRANSISTOR	
D409-412			1SV283	VARIABLE CAPACITANCE DIODE		Q62			2SA1362(Y)	TRANSISTOR	
D413			KV1460	VARIABLE CAPACITANCE DIODE		Q63			2SC4617(S)	TRANSISTOR	
D416,417			1SV283	VARIABLE CAPACITANCE DIODE		Q65			2SC4617(R)	TRANSISTOR	
D418,419			MA2S077	DIODE		Q66	*		FMA1A	TRANSISTOR	
D420			1SV283	VARIABLE CAPACITANCE DIODE		Q67			DTA114EUA	DIGITAL TRANSISTOR	
D421			MA2S077	DIODE		Q400-402			2SC3722(K,R)	TRANSISTOR	
D422,423			MA2S111	DIODE		Q403-405			DTC114EUA	DIGITAL TRANSISTOR	

K : TS-2000 (K) KX : TS-2000X (K)
 E : TS-2000 (E) E2 : TS-2000 (E2)

PARTS LIST

TX-RX 2 UNIT (X57-606X-XX)

TX-RX 3 UNIT (X57-6070-00) : KX

Ref. No.	Address	New parts	Parts No.	Description	Destination	Ref. No.	Address	New parts	Parts No.	Description	Destination
Q406,407			2SK508NV(K52)	FET		C11,12			CK73GB1H103K	CHIP C	0.010UF K
Q409			2SK508NV(K52)	FET		C13			CC73GCH1H050C	CHIP C	5.0PF C
Q410,411			2SC4116(Y)	TRANSISTOR		C14,15			CK73GB1H102K	CHIP C	1000PF K
Q412			2SC4617(R)	TRANSISTOR		C16			CK73GB1H471K	CHIP C	470PF K
Q413,414			2SC5108(Y)	TRANSISTOR		C18			CC73GCH1H470J	CHIP C	47PF J
Q415			2SC4649(N,P)	TRANSISTOR		C19			CC73GCH1H060D	CHIP C	6.0PF D
Q416			2SC5108(Y)	TRANSISTOR		C20,21			CK73GB1H102K	CHIP C	1000PF K
Q417-420			2SC4617(R)	TRANSISTOR		C22			CC73GCH1H470J	CHIP C	47PF J
Q421			2SC4649(N,P)	TRANSISTOR		C24			CC73GCH1H220J	CHIP C	22PF J
Q423-425			2SC4617(R)	TRANSISTOR		C25			CC73GCH1H470J	CHIP C	47PF J
Q426			DTC114EUA	DIGITAL TRANSISTOR		C26			CC73GCH1H030C	CHIP C	3.0PF C
Q427			2SK508NV(K52)	FET		C27,28			CC73GCH1H470J	CHIP C	47PF J
Q428-430			2SC4617(R)	TRANSISTOR		C29			CK73GB1H471K	CHIP C	470PF K
Q431			2SK508NV(K52)	FET		C32			CK73GB1H471K	CHIP C	470PF K
Q432			2SC4617(R)	TRANSISTOR		C33,34			CC73GCH1H470J	CHIP C	47PF J
Q433			2SK508NV(K52)	FET		C36			CK73GB1C104K	CHIP C	0.10UF K
Q434			DTC114EUA	DIGITAL TRANSISTOR		C37			CC73GCH1H030C	CHIP C	3.0PF C
Q435			2SC5108(Y)	TRANSISTOR		C38			CK73GB1H471K	CHIP C	470PF K
Q436			DTC114EUA	DIGITAL TRANSISTOR		C40			CC73GCH1H470J	CHIP C	47PF J
Q437			2SC5108(Y)	TRANSISTOR		C41			CK73GB1H102K	CHIP C	1000PF K
Q438			2SC4617(R)	TRANSISTOR		C42			C92-0719-05	ELECTRO	47UF 25WV
Q439			DTC114EUA	DIGITAL TRANSISTOR		C43			CK73GB1H102K	CHIP C	1000PF K
Q441			2SK508NV(K52)	FET		C44			C92-0719-05	ELECTRO	47UF 25WV
Q444			2SC4617(R)	TRANSISTOR		C45			CK73GB1H102K	CHIP C	1000PF K
Q446			2SC4617(R)	TRANSISTOR		C46			CC73GCH1H470J	CHIP C	47PF J
Q447-452			2SC3722K(R)	TRANSISTOR		C48			CK73GB1H471K	CHIP C	470PF K
Q453,454			DTC114EUA	DIGITAL TRANSISTOR		C49			C92-0719-05	ELECTRO	47UF 25WV
Q455			2SC4617(R)	TRANSISTOR		C51			CK73GB1H102K	CHIP C	1000PF K
Q457			2SC5108(Y)	TRANSISTOR		C52			CC73GCH1H470J	CHIP C	47PF J
Q458			2SC4617(R)	TRANSISTOR		C53			CK73GB1H471K	CHIP C	470PF K
Q459,460			2SK508NV(K52)	FET		C54			C92-0719-05	ELECTRO	47UF 25WV
Q461			2SC5108(Y)	TRANSISTOR		C55			CK73GB1H102K	CHIP C	1000PF K
Q462			2SC4649(N,P)	TRANSISTOR		C56			CC73GCH1H470J	CHIP C	47PF J
Q463			DTC114EUA	DIGITAL TRANSISTOR		C57			CK73GB1H471K	CHIP C	470PF K
Q464			2SK508NV(K52)	FET		C58			C92-0719-05	ELECTRO	47UF 25WV
Q469-472			UMC2N	TRANSISTOR		C59			CK73GB1H471K	CHIP C	470PF K
Q473			2SC4617(R)	TRANSISTOR		C60			CK73GB1H102K	CHIP C	1000PF K
Q474			UMC2N	TRANSISTOR		C61			CC73GCH1H470J	CHIP C	47PF J
Q476			2SC4649(N,P)	TRANSISTOR		C63			C92-0720-05	ELECTRO	100UF 25WV
TH1			157-502-65001	THERMISTOR		C64			CK73GB1H471K	CHIP C	470PF K
TH2			157-102-65001	THERMISTOR		C65			CC73GCH1H470J	CHIP C	47PF J
-		*	X57-606D	VCO PCB		C66			CC73GCH1H010B	CHIP C	1.0PF B
-		*	X57-606E	VCO PCB		C67			CC73GCH1H470J	CHIP C	47PF J
-		*	X57-606G	VCO PCB		C68			CC73GCH1H010B	CHIP C	1.0PF B
-		*	X57-606H	VCO PCB		C69,70			CC73GCH1H470J	CHIP C	47PF J
-		*	X57-606I	VCO PCB		C71			CK73GB1H471K	CHIP C	470PF K
-		*	X57-606J	VCO PCB		C72			CC73GCH1H470J	CHIP C	47PF J
-		*	X57-606K	VCO PCB		C74			CK73GB1H471K	CHIP C	470PF K
TX-RX 3 UNIT (X57-6070-00) : KX						C75			CM73F2H470J	CHIP C	47PF J
C1			CK73GB1H103K	CHIP C	0.010UF K	C76			CK73GB1H471K	CHIP C	470PF K
C2			CK73GB1H471K	CHIP C	470PF K	C78			CC73GCH1H470J	CHIP C	47PF J
C3			CC73GCH1H470J	CHIP C	47PF J	C79-83			CC73GCH1H101J	CHIP C	100PF J
C4			CK73GB1H103K	CHIP C	0.010UF K	C84-90			CK73GB1H103K	CHIP C	0.010UF K
C5,6			CC73GCH1H100D	CHIP C	10PF D	C91			CK73GB1H102K	CHIP C	1000PF K
C7			CK73GB1H102K	CHIP C	1000PF K	C92			CC73GCH1H070D	CHIP C	7.0PF D
C8			CK73GB1H103K	CHIP C	0.010UF K	C93			CK73GB1H102K	CHIP C	1000PF K
C9			CC73GCH1H100D	CHIP C	10PF D	C94			CC73GCH1H050C	CHIP C	5.0PF C
C10			CK73GB1H102K	CHIP C	1000PF K	C95			CC73GCH1H010B	CHIP C	1.0PF B
						C96,97			CK73GB1H102K	CHIP C	1000PF K
						C98			CK73GB1C104K	CHIP C	0.10UF K

PARTS LIST

TX-RX 3 UNIT (X57-6070-00) : KX

Ref. No.	Address	New parts	Parts No.	Description	Destination	Ref. No.	Address	New parts	Parts No.	Description	Destination
C99			CK73GB1H102K	CHIP C 1000PF K		C186			CK73GB1H471K	CHIP C 470PF K	
C101			CC73GCH1H020B	CHIP C 2.0PF B		C188			CC73GCH1H040C	CHIP C 4.0PF C	
C103			CC73GCH1H010B	CHIP C 1.0PF B		C189			CC73GCH1H220J	CHIP C 22PF J	
C104			CK73GB1H471K	CHIP C 470PF K		C190			CC73GCH1H470J	CHIP C 47PF J	
C105			CC73GCH1H470J	CHIP C 47PF J		C191			CC73GCH1H050C	CHIP C 5.0PF C	
C106			CC73GCH1H060D	CHIP C 6.0PF D		C192			CK73GB1H471K	CHIP C 470PF K	
C107			CC73GCH1H470J	CHIP C 47PF J		C193			CC73GCH1H100D	CHIP C 10PF D	
C108			CK73GB1H471K	CHIP C 470PF K		C194			CK73GB1H103K	CHIP C 0.010UF K	
C109			CC73GCH1H100D	CHIP C 10PF D		C195			CC73GCH1H101J	CHIP C 100PF J	
C110			CC73GCH1HR75B	CHIP C 0.75PF B		C301			CK73GB1H471K	CHIP C 470PF K	
C111			CK73GB1H471K	CHIP C 470PF K		C302,303			CC73GCH1H101J	CHIP C 100PF J	
C112			CC73GCH1H101J	CHIP C 100PF J		C304			CC73GCH1H150J	CHIP C 15PF J	
C113			CC73GCH1H020B	CHIP C 2.0PF B		C305			CK73GB1H102K	CHIP C 1000PF K	
C114			CC73GCH1H220J	CHIP C 22PF J		C306			CC73GCH1H150J	CHIP C 15PF J	
C116			CC73GCH1H040C	CHIP C 4.0PF C		C307			CC73GCH1H1R5B	CHIP C 1.5PF B	
C117			CC73GCH1H470J	CHIP C 47PF J		C308			CK73GB1H471K	CHIP C 470PF K	
C118			CC73GCH1H101J	CHIP C 100PF J		C309			CC73GCH1H060D	CHIP C 6.0PF D	
C119			CK73GB1H103K	CHIP C 0.010UF K		C310			CC73GCH1H101J	CHIP C 100PF J	
C120			CC73GCH1H470J	CHIP C 47PF J		C311			CC73GCH1H080D	CHIP C 8.0PF D	
C121,122			CK73GB1H471K	CHIP C 470PF K		C312			CC73GCH1H020B	CHIP C 2.0PF B	
C123			CC73GCH1H470J	CHIP C 47PF J		C313			CC73GCH1H030C	CHIP C 3.0PF C	
C124			CC73GCH1H101J	CHIP C 100PF J		C314			CC73GCH1H101J	CHIP C 100PF J	
C125			CC73GCH1H1R5B	CHIP C 1.5PF B		C315			CC73GCH1H470J	CHIP C 47PF J	
C126			CC73GCH1H080D	CHIP C 8.0PF D		C316			CC73GCH1H030C	CHIP C 3.0PF C	
C127			CC73GCH1H010B	CHIP C 1.0PF B		C317,318			CC73GCH1H010B	CHIP C 1.0PF B	
C128			CC73GCH1H1R5B	CHIP C 1.5PF B		C319			CC73GCH1H470J	CHIP C 47PF J	
C131-134			CC73GCH1H101J	CHIP C 100PF J		C320		*	C92-0717-05	ELECTRO 330UF 16WV	
C135			CC73GCH1H470J	CHIP C 47PF J		C323			CC73GCH1H470J	CHIP C 47PF J	
C136			CK73GB1H103K	CHIP C 0.010UF K		C326,327			CC73GCH1H470J	CHIP C 47PF J	
C137			C92-0505-05	CHIP-TAN 10UF 16WV		C328,329			CK73GB1H103K	CHIP C 0.010UF K	
C138			CK73GB1H103K	CHIP C 0.010UF K		C332			CK73GB1C473K	CHIP C 0.047UF K	
C139,140			CK73GB1H102K	CHIP C 1000PF K		C333,334			C92-0543-05	CHIP-TAN 3.3UF 10WV	
C142			CC73GCH1H070D	CHIP C 7.0PF D		C335			C92-0503-05	CHIP-TAN 0.068UF 35WV	
C143			CK73GB1H102K	CHIP C 1000PF K		C336			CK73GB1H182K	CHIP C 1800PF K	
C144			CC73GCH1H0R3B	CHIP C 0.3PF B		C367			CC73GCH1H101J	CHIP C 100PF J	
C145			CC73GCH1H070D	CHIP C 7.0PF D		C368,369			CC73GCH1H020B	CHIP C 2.0PF B	
C147			C92-0505-05	CHIP-TAN 10UF 16WV		C370-374			CK73GB1H103K	CHIP C 0.010UF K	
C148			CK73GB1H103K	CHIP C 0.010UF K		C375,376			CC73GCH1H560J	CHIP C 56PF J	
C149			CK73GB1H102K	CHIP C 1000PF K		C377-379			CK73GB1H103K	CHIP C 0.010UF K	
C150			CC73GCH1H470J	CHIP C 47PF J		C381,382			CK73GB1H103K	CHIP C 0.010UF K	
C151			CK73GB1H103K	CHIP C 0.010UF K		C383			CC73GCH1H080D	CHIP C 8.0PF D	
C152			CK73GB1H102K	CHIP C 1000PF K		C384-386			CK73GB1H103K	CHIP C 0.010UF K	
C153			CC73GCH1H070D	CHIP C 7.0PF D		C387			CK73GB1C104K	CHIP C 0.10UF K	
C154			CK73GB1H102K	CHIP C 1000PF K		C388			CC73GCH1H330J	CHIP C 33PF J	
C155,156			CK73GB1H103K	CHIP C 0.010UF K		C389			CC73GCH1H050C	CHIP C 5.0PF C	
C158			CC73GCH1H470J	CHIP C 47PF J		C390-393			CK73GB1H103K	CHIP C 0.010UF K	
C165			C92-0523-05	CHIP-ELE 10UF 16WV		C394			CC73GCH1H010B	CHIP C 1.0PF B	
C167			CK73GB1H102K	CHIP C 1000PF K		C395,396			CC73GCH1H180J	CHIP C 18PF J	
C169			CK73GB1H471K	CHIP C 470PF K		C397			CK73GB1H103K	CHIP C 0.010UF K	
C170,171			CK73GB1H102K	CHIP C 1000PF K		C398			CC73GCH1H330J	CHIP C 33PF J	
C172			CK73GB1H103K	CHIP C 0.010UF K		C399-401			CK73GB1H103K	CHIP C 0.010UF K	
C173			CK73GB1H102K	CHIP C 1000PF K		C402			CC73GCH1H010B	CHIP C 1.0PF B	
C174			CK73GB1H471K	CHIP C 470PF K		C403			CC73GCH1H030C	CHIP C 3.0PF C	
C176			C92-0719-05	ELECTRO 47UF 25WV		C404			CK73GB1H102K	CHIP C 1000PF K	
C178			CK73GB1H102K	CHIP C 1000PF K		TC301			C05-0393-05	CERAMIC TRIMMER CAP (8P)	
C179			C92-0523-05	CHIP-ELE 10UF 16WV		501	3B	*	E30-3457-05	ANTENNA CABLE	
C180			CK73GB1H102K	CHIP C 1000PF K		-		*	E37-0894-05	LEAD WIRE WITH TERMINAL (+B)	
C182			CC73GCH1H470J	CHIP C 47PF J		-		*	E37-0895-05	LEAD WIRE WITH TERMINAL (GND)	
C183			CK73GB1H471K	CHIP C 470PF K		504	3C	*	E37-0943-05	LEAD WIRE WITH MINIPIN PLUG	
C184,185			CC73GCH1H470J	CHIP C 47PF J		CN1		*	E40-3237-05	PIN ASSY	

PARTS LIST

TX-RX 3 UNIT (X57-6070-00) : KX

Ref. No.	Address	New parts	Parts No.	Description	Destination	Ref. No.	Address	New parts	Parts No.	Description	Destination
CN5			E40-3239-05	PIN ASSY		L318,319			L40-2275-92	SMALL FIXED INDUCTOR (22NH)	
CN6			E40-5978-05	FLAT CABLE CONNECTOR		L320,321		*	L34-4642-05	COIL	
CN7,8		*	E04-0428-05	PIN SOCKET		L322			L40-1875-92	SMALL FIXED INDUCTOR (18NH)	
CN9			E04-0190-05	PIN SOCKET		L323		*	L40-1595-85	SMALL FIXED INDUCTOR (1.5U)	
CN11-16		*	E04-0428-05	PIN SOCKET		L332			L92-0158-05	FERRITE CHIP	
-		*	F10-2367-04	SHIELDING COVER		L333		*	L92-0403-05	FERRITE CHIP	
506	3C	*	F10-2368-03	SHIELDING PLATE		L336			L40-2285-92	SMALL FIXED INDUCTOR (220NH)	
-		*	F10-2390-04	SHIELDING CASE		L337		*	L40-5663-92	SMALL FIXED INDUCTOR (5.6NH)	
-		*	F10-2391-04	SHIELDING CASE		L338			L34-4401-05	COIL	
-		*	F10-2394-04	SHIELDING CASE		L339			L34-4026-15	COIL	
-		*	F10-2396-03	SHIELDING COVER		L340-342		*	L34-4657-05	COIL	
511	3C		G10-1218-04	FIBROUS SHEET		L343			L40-1005-34	SMALL FIXED INDUCTOR (10UH)	
512	3B	*	J21-8401-04	HARDWARE FIXTURE		L344		*	L40-4705-85	SMALL FIXED INDUCTOR (47U)	
CF1,2			L72-0343-05	CERAMIC FILTER		L345			L40-1005-34	SMALL FIXED INDUCTOR (10UH)	
L1			L92-0158-05	FERRITE CHIP		L346			L40-1085-92	SMALL FIXED INDUCTOR (100NH)	
L2			L34-4411-05	COIL		L347			L40-4763-92	SMALL FIXED INDUCTOR (4.7NH)	
L3		*	L34-4651-05	COIL		L348		*	L40-5663-92	SMALL FIXED INDUCTOR (5.6NH)	
L4			L40-1005-85	SMALL FIXED INDUCTOR (10U)		XF1		*	L71-0575-05	MCF	
L5		*	L34-4651-05	COIL		XF2		*	L71-0576-05	MCF	
L7,8		*	L39-1446-05	TOROIDAL COIL		P	3C		N30-2606-46	PAN HEAD MACHINE SCREW	
L9		*	L34-4644-05	COIL		-			N67-2608-46	PAN HEAD SEMS SCREW W (IC2, 3)	
L10		*	L79-1766-05	DIELECTRIC FILTER		R	3C		N87-2606-46	BRAZIER HEAD TAPTITE SCREW	
L11			L40-1075-92	SMALL FIXED INDUCTOR (10NH)		CP1,2		*	RK75GB1J101J	CHIP-COM 100 J 1/16W	
L12		*	L79-1766-05	DIELECTRIC FILTER		R2,3			RK73GB1J102J	CHIP R 1.0K J 1/16W	
L13			L92-0158-05	FERRITE CHIP		R4			RK73GB1J103J	CHIP R 10K J 1/16W	
L17-19			L92-0158-05	FERRITE CHIP		R5			RK73GB1J273J	CHIP R 27K J 1/16W	
L20,21		*	L92-0403-05	FERRITE CHIP		R6			RK73GB1J100J	CHIP R 10 J 1/16W	
L22			L34-4411-05	COIL		R7			RK73GB1J102J	CHIP R 1.0K J 1/16W	
L23			L40-1005-85	SMALL FIXED INDUCTOR (10U)		R8,9			RK73GB1J680J	CHIP R 68 J 1/16W	
L24		*	L34-4644-05	COIL		R10			RK73GB1J103J	CHIP R 10K J 1/16W	
L25		*	L34-4651-05	COIL		R11			RK73GB1J273J	CHIP R 27K J 1/16W	
L26-28		*	L34-4642-05	COIL		R12,13			RK73GB1J330J	CHIP R 33 J 1/16W	
L29		*	L34-4644-05	COIL		R14,15			RK73GB1J331J	CHIP R 330 J 1/16W	
L30			L79-1133-05	DIELECTRIC FILTER		R16			RK73GB1J101J	CHIP R 100 J 1/16W	
L31			L40-8265-92	SMALL FIXED INDUCTOR (8.2NH)		R17			RK73GB1J271J	CHIP R 270 J 1/16W	
L32			L40-8865-92	SMALL FIXED INDUCTOR (6.8NH)		R18			RK73GB1J180J	CHIP R 18 J 1/16W	
L33		*	L79-1765-05	DIELECTRIC FILTER		R19			RK73GB1J271J	CHIP R 270 J 1/16W	
L34			L40-1075-92	SMALL FIXED INDUCTOR (10NH)		R20			RK73GB1J471J	CHIP R 470 J 1/16W	
L35		*	L40-5663-92	SMALL FIXED INDUCTOR (5.6NH)		R21			RK73GB1J271J	CHIP R 270 J 1/16W	
L36		*	L40-2263-92	SMALL FIXED INDUCTOR (2.2NH)		R22			RK73GB1J272J	CHIP R 2.7K J 1/16W	
L37			L40-8865-92	SMALL FIXED INDUCTOR (6.8NH)		R23			RK73GB1J180J	CHIP R 18 J 1/16W	
L38		*	L40-5663-92	SMALL FIXED INDUCTOR (5.6NH)		R24			RK73GB1J472J	CHIP R 4.7K J 1/16W	
L39			L40-1085-85	SMALL FIXED INDUCTOR (0.10U)		R25			RK73GB1J271J	CHIP R 270 J 1/16W	
L40,41			L40-1005-85	SMALL FIXED INDUCTOR (10U)		R26			RK73GB1J330J	CHIP R 33 J 1/16W	
L42,43		*	L34-4644-05	COIL		R27			RK73GB1J222J	CHIP R 2.2K J 1/16W	
L44			L40-1005-85	SMALL FIXED INDUCTOR (10U)		R28			RK73GB1J101J	CHIP R 100 J 1/16W	
L45		*	L34-4644-05	COIL		R29			RK73GB1J151J	CHIP R 150 J 1/16W	
L49-51			L40-1005-85	SMALL FIXED INDUCTOR (10U)		R30			RK73GB1J390J	CHIP R 39 J 1/16W	
L52		*	L79-1753-05	DIELECTRIC FILTER		R31			RK73GB1J151J	CHIP R 150 J 1/16W	
L301			L40-1085-92	SMALL FIXED INDUCTOR (100NH)		R32			RK73GB1J101J	CHIP R 100 J 1/16W	
L302		*	L40-1278-60	SMALL FIXED INDUCTOR (12NH)		R34			R92-1252-05	CHIP R 0 OHM	
L303,304			L40-1085-92	SMALL FIXED INDUCTOR (100NH)		R35			RK73GB1J680J	CHIP R 68 J 1/16W	
L305,306			L40-2275-92	SMALL FIXED INDUCTOR (22NH)		R36			RK73GB1J121J	CHIP R 120 J 1/16W	
L307,308			L40-8265-92	SMALL FIXED INDUCTOR (8.2NH)		R37			RK73GB1J152J	CHIP R 1.5K J 1/16W	
L309			L40-2275-92	SMALL FIXED INDUCTOR (22NH)		R38,39			RK73GB1J470J	CHIP R 47 J 1/16W	
L310		*	L40-5663-92	SMALL FIXED INDUCTOR (5.6NH)		R40			RK73GB1J271J	CHIP R 270 J 1/16W	
L312			L40-4763-92	SMALL FIXED INDUCTOR (4.7NH)		R41			RK73GB1J180J	CHIP R 18 J 1/16W	
L315			L40-4763-92	SMALL FIXED INDUCTOR (4.7NH)		R42			RK73GB1J271J	CHIP R 270 J 1/16W	
						R43			R92-1259-05	CHIP R 18 J 1/2W	

PARTS LIST

TX-RX 3 UNIT (X57-6070-00) : KX

Ref. No.	Address	New parts	Parts No.	Description	Destination	Ref. No.	Address	New parts	Parts No.	Description	Destination
R44			RK73EB2B560J	CHIP R 56 J 1/8W		R118			RK73GB1J180J	CHIP R 18 J 1/16W	
R45			RK73GB1J182J	CHIP R 1.8K J 1/16W		R119,120			RK73GB1J271J	CHIP R 270 J 1/16W	
R46			RK73GB1J103J	CHIP R 10K J 1/16W		R121			RK73GB1J180J	CHIP R 18 J 1/16W	
R47			RK73GB1J182J	CHIP R 1.8K J 1/16W		R122			RK73GB1J271J	CHIP R 270 J 1/16W	
R48			RK73GB1J103J	CHIP R 10K J 1/16W		R123			RK73GB1J273J	CHIP R 27K J 1/16W	
R49			RK73EB2B560J	CHIP R 56 J 1/8W		R124			RK73GB1J103J	CHIP R 10K J 1/16W	
R50			R92-0700-05	CHIP R 180 J 1/2W		R125			RK73GB1J470J	CHIP R 47 J 1/16W	
R51			RK73GB1J101J	CHIP R 100 J 1/16W		R126			RK73GB1J101J	CHIP R 100 J 1/16W	
R52			RK73GB1J821J	CHIP R 820 J 1/16W		R127			R92-1252-05	CHIP R 0 OHM	
R53			RK73GB1J332J	CHIP R 3.3K J 1/16W		R130			RK73GB1J472J	CHIP R 4.7K J 1/16W	
R54			RK73GB1J101J	CHIP R 100 J 1/16W		R131			RK73GB1J182J	CHIP R 1.8K J 1/16W	
R55			RK73GB1J682J	CHIP R 6.8K J 1/16W		R132			RK73GB1J180J	CHIP R 18 J 1/16W	
R56			RK73GB1J680J	CHIP R 68 J 1/16W		R133			RK73GB1J470J	CHIP R 47 J 1/16W	
R57,58			RK73GB1J222J	CHIP R 2.2K J 1/16W		R134			RK73GB1J561J	CHIP R 560 J 1/16W	
R59			R92-1252-05	CHIP R 0 OHM		R135			RK73GB1J560J	CHIP R 56 J 1/16W	
R60			RK73GB1J332J	CHIP R 3.3K J 1/16W		R301			RK73GB1J471J	CHIP R 470 J 1/16W	
R61			R92-1252-05	CHIP R 0 OHM		R302			RK73GB1J470J	CHIP R 47 J 1/16W	
R62,63			RK73GB1J102J	CHIP R 1.0K J 1/16W		R303			RK73GB1J121J	CHIP R 120 J 1/16W	
R64			RK73GB1J101J	CHIP R 100 J 1/16W		R304			RK73GB1J100J	CHIP R 10 J 1/16W	
R65			RK73GB1J471J	CHIP R 470 J 1/16W		R305			RK73GB1J103J	CHIP R 10K J 1/16W	
R66			RK73GB1J474J	CHIP R 470K J 1/16W		R306			RK73GB1J332J	CHIP R 3.3K J 1/16W	
R67			RK73GB1J823J	CHIP R 82K J 1/16W		R307			RK73GB1J470J	CHIP R 47 J 1/16W	
R68			RK73GB1J273J	CHIP R 27K J 1/16W		R309,310			R92-1252-05	CHIP R 0 OHM	
R70			RK73GB1J101J	CHIP R 100 J 1/16W		R311			RK73GB1J331J	CHIP R 330 J 1/16W	
R71			RK73GB1J471J	CHIP R 470 J 1/16W		R312			RK73GB1J823J	CHIP R 82K J 1/16W	
R72			RK73GB1J271J	CHIP R 270 J 1/16W		R314,315			R92-1252-05	CHIP R 0 OHM	
R73			RK73GB1J100J	CHIP R 10 J 1/16W		R318			RK73GB1J102J	CHIP R 1.0K J 1/16W	
R74			RK73GB1J180J	CHIP R 18 J 1/16W		R319			RK73GB1J823J	CHIP R 82K J 1/16W	
R75			RK73GB1J271J	CHIP R 270 J 1/16W		R321			RK73GB1J101J	CHIP R 100 J 1/16W	
R76,77			RK73GB1J221J	CHIP R 220 J 1/16W		R322			RK73GB1J821J	CHIP R 820 J 1/16W	
R78			RK73GB1J333J	CHIP R 33K J 1/16W		R323			RK73GB1J220J	CHIP R 22 J 1/16W	
R79,80			RK73GB1J473J	CHIP R 47K J 1/16W		R324			RK73GB1J101J	CHIP R 100 J 1/16W	
R81			RK73GB1J101J	CHIP R 100 J 1/16W		R325			RK73GB1J182J	CHIP R 1.8K J 1/16W	
R82			RK73GB1J820J	CHIP R 82 J 1/16W		R326			RK73GB1J222J	CHIP R 2.2K J 1/16W	
R83			RK73GB1J470J	CHIP R 47 J 1/16W		R327,328			R92-1252-05	CHIP R 0 OHM	
R85			RK73GB1J330J	CHIP R 33 J 1/16W		R329			RK73GB1J474J	CHIP R 470K J 1/16W	
R86			RK73GB1J473J	CHIP R 47K J 1/16W		R330			RK73GB1J222J	CHIP R 2.2K J 1/16W	
R87			RK73GB1J102J	CHIP R 1.0K J 1/16W		R331			RK73GB1J103J	CHIP R 10K J 1/16W	
R88			RK73GB1J101J	CHIP R 100 J 1/16W		R332			R92-1252-05	CHIP R 0 OHM	
R89			RK73GB1J102J	CHIP R 1.0K J 1/16W		R333			RK73GB1J103J	CHIP R 10K J 1/16W	
R90			RK73GB1J470J	CHIP R 47 J 1/16W		R334			RK73GB1J392J	CHIP R 3.9K J 1/16W	
R91			RK73GB1J103J	CHIP R 10K J 1/16W		R335			R92-1252-05	CHIP R 0 OHM	
R92			RK73GB1J472J	CHIP R 4.7K J 1/16W		R342			R92-1252-05	CHIP R 0 OHM	
R93			RK73GB1J823J	CHIP R 82K J 1/16W		R343			RK73GB1J331J	CHIP R 330 J 1/16W	
R94			RK73GB1J471J	CHIP R 470 J 1/16W		R351			R92-1252-05	CHIP R 0 OHM	
R95			RK73GB1J561J	CHIP R 560 J 1/16W		R359			RK73GB1J101J	CHIP R 100 J 1/16W	
R96			RK73GB1J101J	CHIP R 100 J 1/16W		R360			RK73GB1J153J	CHIP R 15K J 1/16W	
R97			RK73GB1J270J	CHIP R 27 J 1/16W		R361			RK73GB1J682J	CHIP R 6.8K J 1/16W	
R98			RK73GB1J560J	CHIP R 56 J 1/16W		R362			RK73GB1J101J	CHIP R 100 J 1/16W	
R99			RK73GB1J332J	CHIP R 3.3K J 1/16W		R363			RK73GB1J151J	CHIP R 150 J 1/16W	
R100			RK73GB1J152J	CHIP R 1.5K J 1/16W		R364			RK73GB1J101J	CHIP R 100 J 1/16W	
R101			RK73GB1J822J	CHIP R 8.2K J 1/16W		R365			RK73GB1J223J	CHIP R 22K J 1/16W	
R102			RK73GB1J153J	CHIP R 15K J 1/16W		R366			RK73GB1J822J	CHIP R 8.2K J 1/16W	
R103			RK73GB1J471J	CHIP R 470 J 1/16W		R367			RK73GB1J221J	CHIP R 220 J 1/16W	
R104,105			RK73GB1J101J	CHIP R 100 J 1/16W		R368			R92-1252-05	CHIP R 0 OHM	
R106			RK73GB1J331J	CHIP R 330 J 1/16W		R369			RK73GB1J330J	CHIP R 33 J 1/16W	
R108			RK73GB1J102J	CHIP R 1.0K J 1/16W		R370			RK73GB1J183J	CHIP R 18K J 1/16W	
R111			RK73GB1J103J	CHIP R 10K J 1/16W		R371-373			RK73GB1J330J	CHIP R 33 J 1/16W	
R112			RK73GB1J222J	CHIP R 2.2K J 1/16W		R374			RK73GB1J103J	CHIP R 10K J 1/16W	
R117			RK73GB1J271J	CHIP R 270 J 1/16W		R375			RK73GB1J101J	CHIP R 100 J 1/16W	

K : TS-2000 (K) KX : TS-2000X (K)
 E : TS-2000 (E) E2 : TS-2000 (E2)

PARTS LIST

TX-RX 3 UNIT (X57-6070-00) : KX

Ref. No.	Address	New parts	Parts No.	Description	Destination	Ref. No.	Address	New parts	Parts No.	Description	Destination
R376			RK73GB1J153J	CHIP R 15K J 1/16W							
R377			RK73GB1J682J	CHIP R 6.8K J 1/16W							
R378			RK73GB1J151J	CHIP R 150 J 1/16W							
R379			RK73GB1J101J	CHIP R 100 J 1/16W							
R381			R92-1252-05	CHIP R 0 OHM							
R383			RK73GB1J102J	CHIP R 1.0K J 1/16W							
R384			RK73GB1J470J	CHIP R 47 J 1/16W							
R385,386			RK73GB1J103J	CHIP R 10K J 1/16W							
VR1			R12-6715-05	TRIMMING POT. (22K)							
VR2			R12-6707-05	TRIMMING POT. (1.0K)							
D1			HSB88WS	DIODE							
D2			1SS355	DIODE							
D3,4			HSM88ASR	DIODE							
D5-7			XB15A709	DIODE							
D8			DAN235E	DIODE							
D9			1SS355	DIODE							
D10,11			RN731V	DIODE							
D12			DAN202K	DIODE							
D301			1SV283	VARIABLE CAPACITANCE DIODE							
D302			UDZ4.7(B)	ZENER DIODE							
D303			XB15A709	DIODE							
D304			MA2S111	DIODE							
D305			1SV283	VARIABLE CAPACITANCE DIODE							
IC1		*	UPC2709TB	IC							
IC2			M67715	IC							
IC3			M57762-02	IC							
IC4		*	AD9851BRS	IC							
IC5		*	LMX2316TMX	IC							
Q1,2			3SK131(M)	FET							
Q3			2SC3356	TRANSISTOR							
Q4			UMC4	TRANSISTOR							
Q5			2SC4093	TRANSISTOR							
Q7,8			2SK520(K43)	FET							
Q9			3SK131(M)	FET							
Q10			3SK241(R)	FET							
Q11			2SC5008	TRANSISTOR							
Q12			2SK2685	FET							
Q13			2SC4617(R)	TRANSISTOR							
Q14,15			2SC5108(Y)	TRANSISTOR							
Q16,17			2SC4617(R)	TRANSISTOR							
Q19			2SC3356	TRANSISTOR							
Q20			2SC3357	TRANSISTOR							
Q301			2SK508NV(K52)	FET							
Q302			2SC5066(O)	TRANSISTOR							
Q303,304			2SC4617(R)	TRANSISTOR							
Q305-307			2SC3722K(R)	TRANSISTOR							
Q310-312			2SC4617(R)	TRANSISTOR							
Q313,314			3SK131(M)	FET							
Q315			2SC4617(R)	TRANSISTOR							
TH1			157-102-65001	THERMISTOR							
TH2			157-502-65001	THERMISTOR							

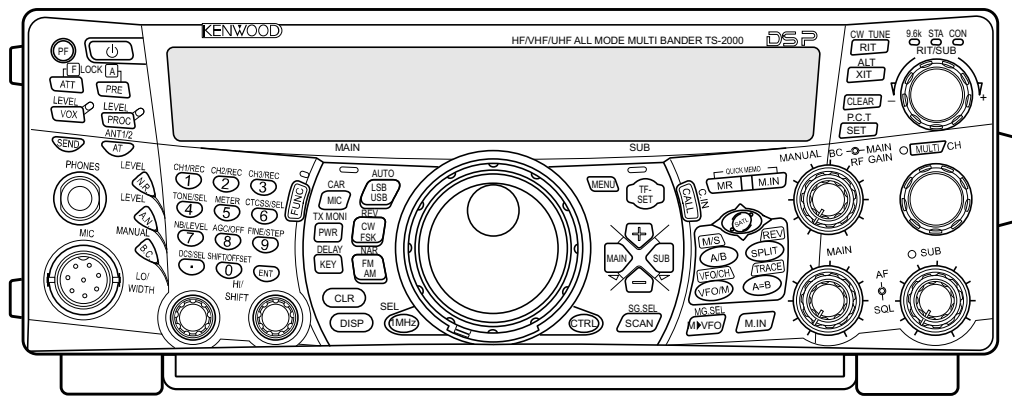
ADJUSTMENT

Preparation

Unless otherwise specified, knobs and switches should be set as follows.

- POWER ON
- MANUAL BC Center
- MAIN RF GAIN MAX
- MAIN AF GAIN MIN
- MAIN SQL MIN
- SUB AF GAIN MIN
- SUB SQL MIN

■ Front panel



■ Rear panel

